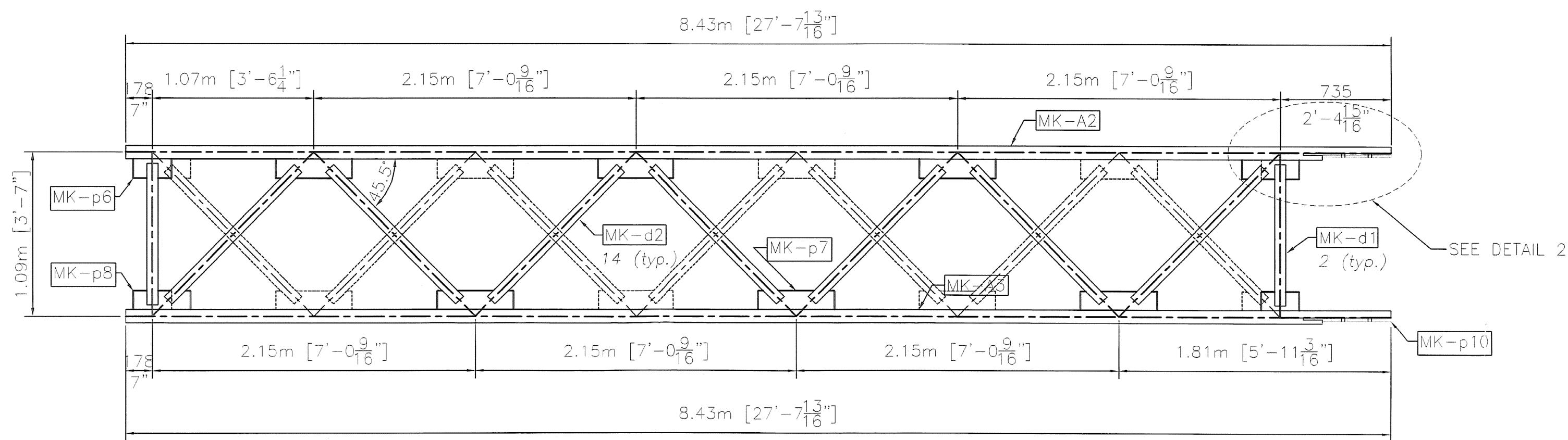
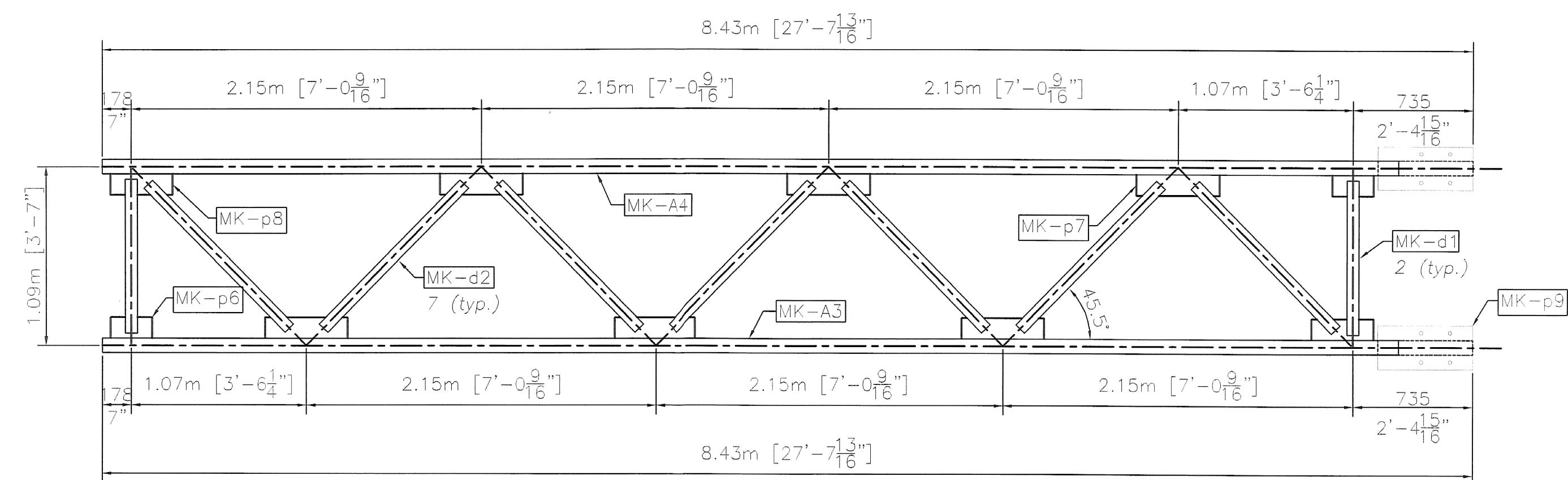


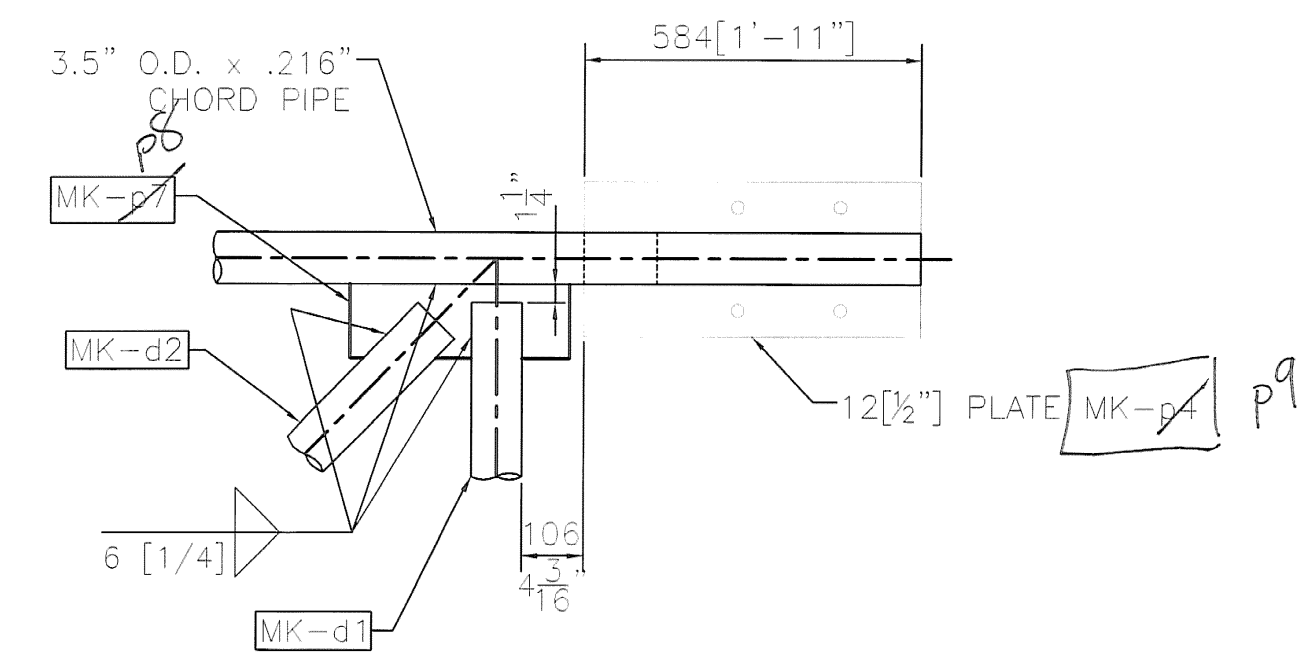
TOP VIEW



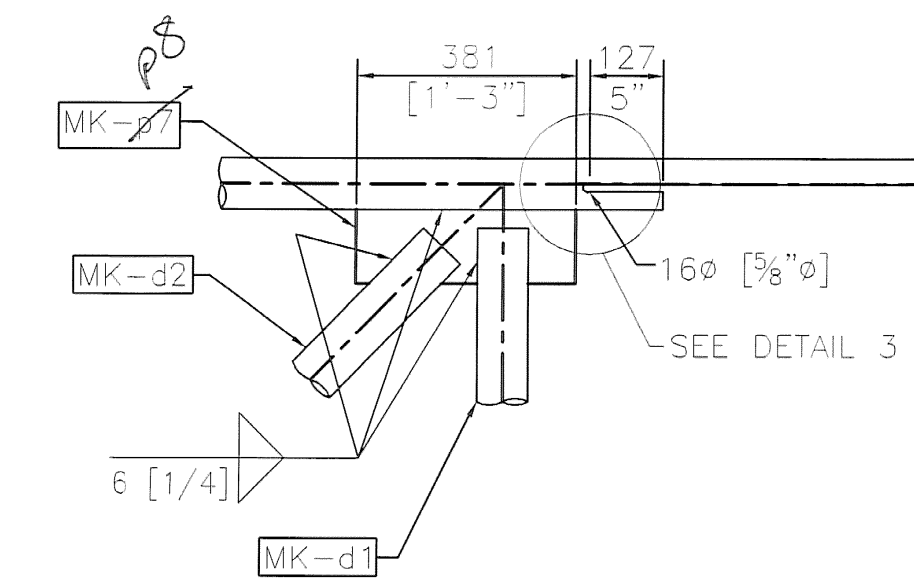
FRONT VIEW



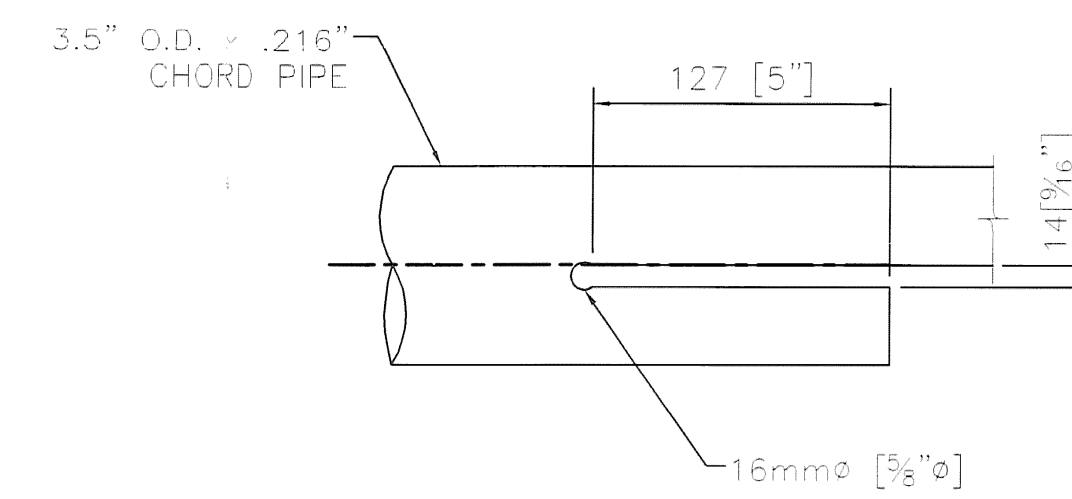
BOTTOM VIEW



DETAIL 1

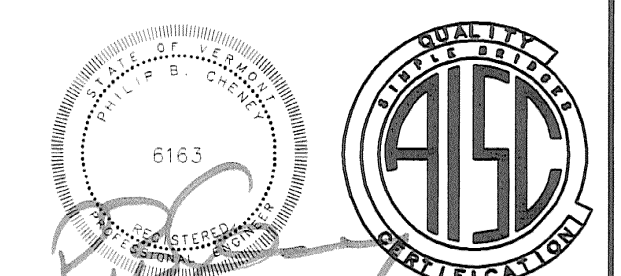


DETAIL 2



DETAIL 3

PACKED  
 GWC  
 RLS  
 AS NOTED  
 RLS  
 06/15/07



**HIGHWAY SAFETY CORP.**  
 GLASTONBURY, CT

CANTILEVER SIGN STRUCTURE  
 STATE OF VERMONT  
 COUNTY OF CALEDONIA  
 INTERSTATE RTE. 91 STA.127.980 NB  
 PROJECT No. AC IM 091-2(73)

DATE 3/23/07  
 SCALE N.T.S.  
 1587b  
 0  
 2 of 6

REVISIONS		
No.	Remarks	Date
0	Initial submittal	