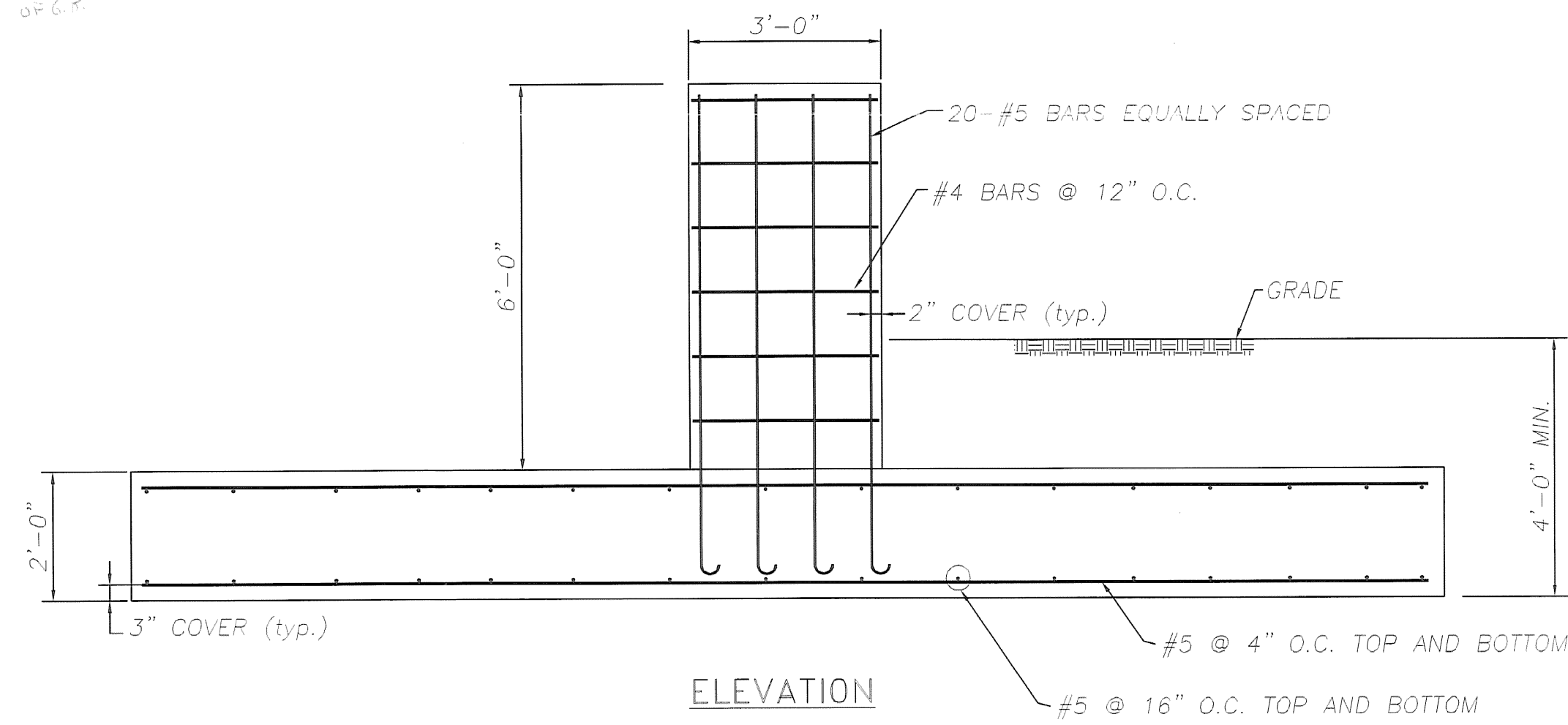


PLAN

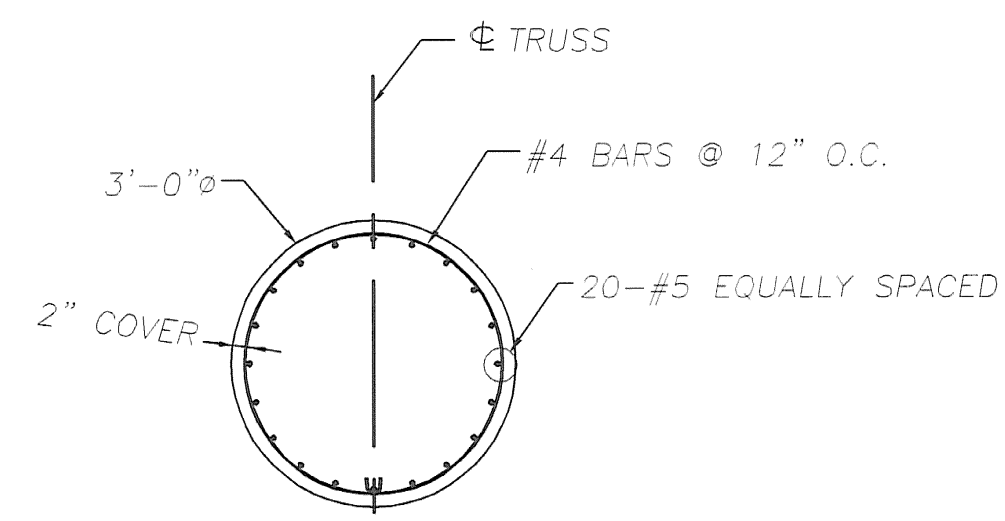
**REBAR LIST**

REBAR	PCS. REQD.	LENGTH
#4	7	9'-4"
#5	38	9'-6"
#5	60	23'-6"
#5 (HOOK ONE END)	20	8'-6"

15'-1" FROM FACE OF G.P.

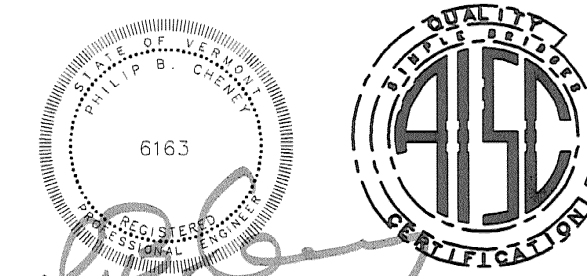


ELEVATION



PLAN (STEM)

GWC RLT  
 As NOTED  
 RLT 06/15/07



**HIGHWAY SAFETY CORP.**  
GLASTONBURY, CT

CANTILEVER SIGN STRUCTURE  
 STATE OF VERMONT  
 COUNTY OF CALEDONIA  
 INTERSTATE RTE. 91 STA. 127.980 NB  
 PROJECT No. AC IM 091-2(73)  
 GENERAL CONTRACTOR: F.R. LAFAYETTE  
 DRAWN: MHM  
 CHECKED: P. Radice  
 DATE: 3/23/07  
 SCALE: N.T.S.  
 SHEET NO.: 1587b  
 6 of 6

REVISIONS		
No.	Remarks	Date
0	Initial submittal	