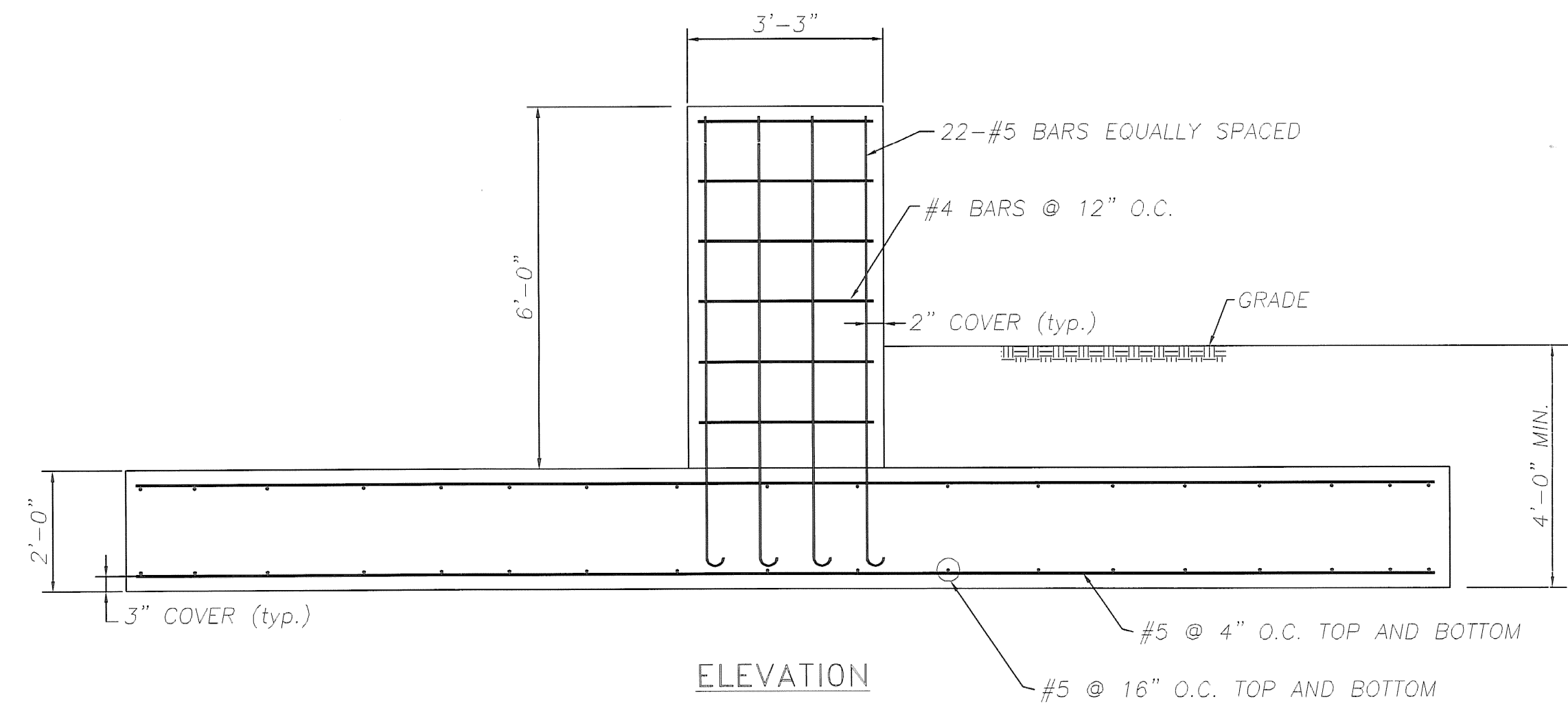
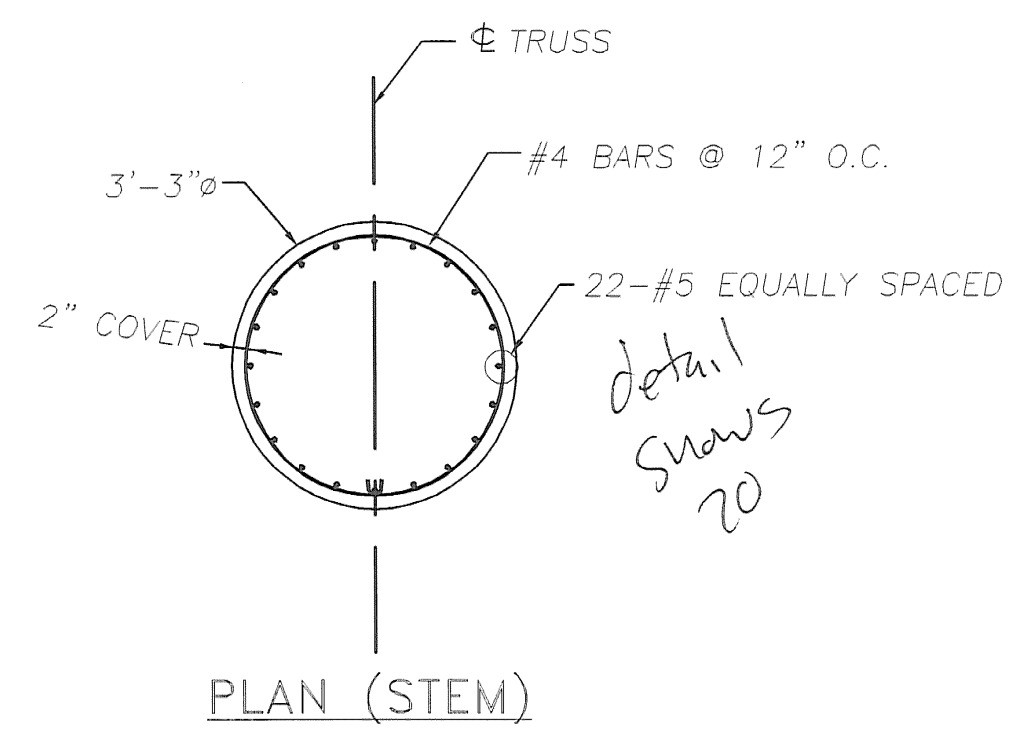


PLAN



ELEVATION



PLAN (STEM)

REBAR LIST

REBAR	PCS. REQD.	LENGTH
#4	7	10'-2"
#5	38	9'-6"
#5	60	23'-6"
#5 (HOOK ONE END)	22	8'-6"

GWC ECT
 ECT
 06/18/07



HIGHWAY SAFETY CORP.
 GLASTONBURY, CT

CANTILEVER SIGN STRUCTURE
 STATE OF VERMONT
 COUNTY OF CALEDONIA
 INTERSTATE RTE. 91 STA.127.628 NB
 PROJECT No. AC IM 091-2(73)
 F.R. LAFAYETTE

REVISIONS		
No.	Remarks	Date
0	Initial submittal	

DESIGNED BY: MHM
 CHECKED BY: P. Radice
 DATE: 3/23/07
 SCALE: N.T.S.
 PROJECT No. 1587c
 SHEET No. 6 of 6