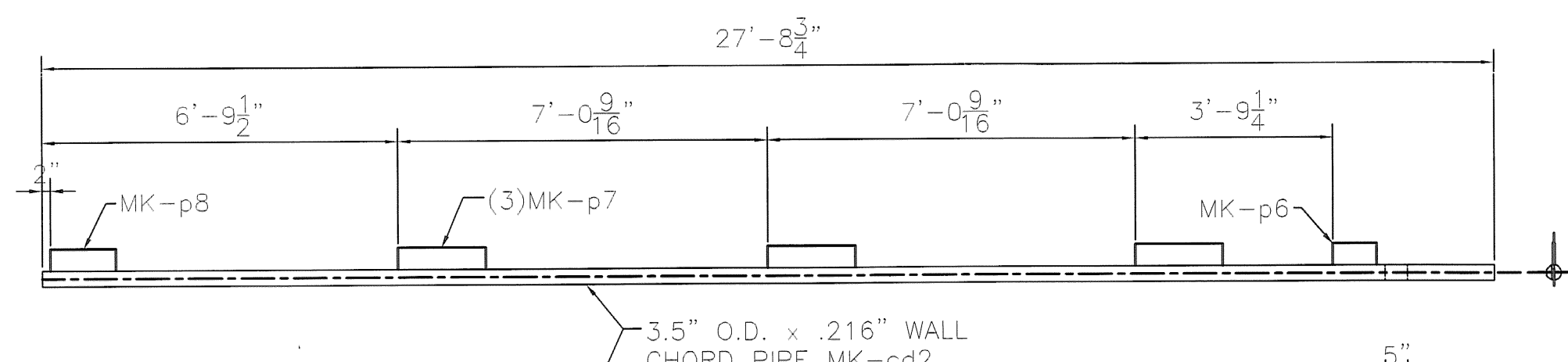
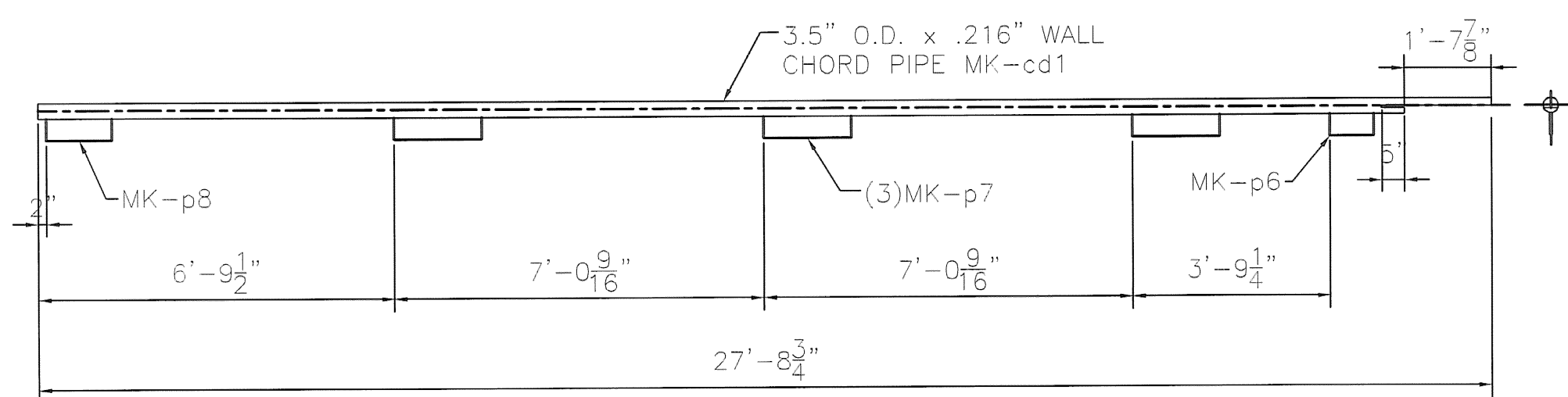
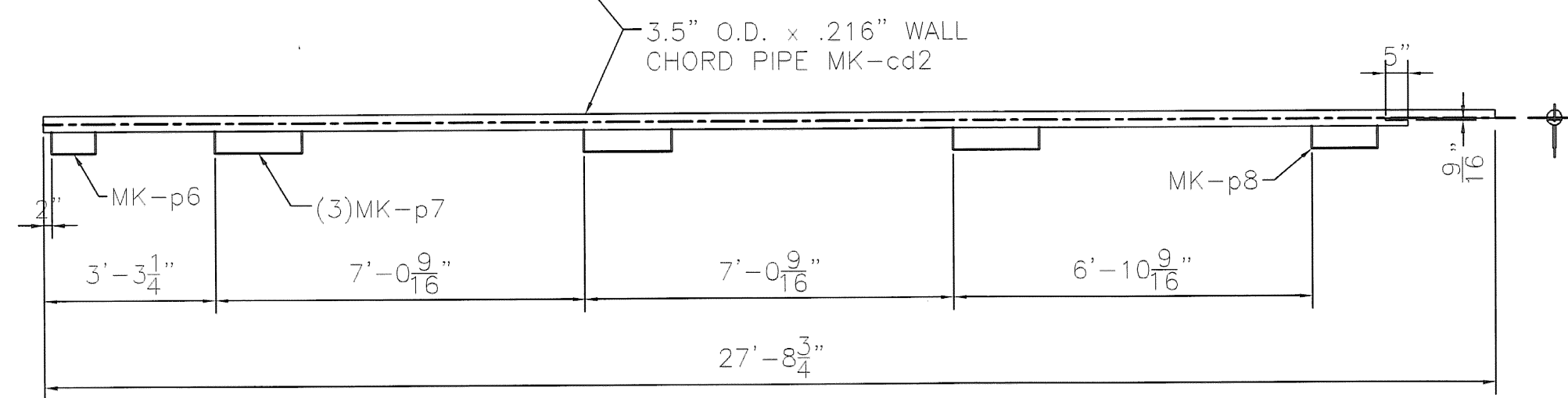


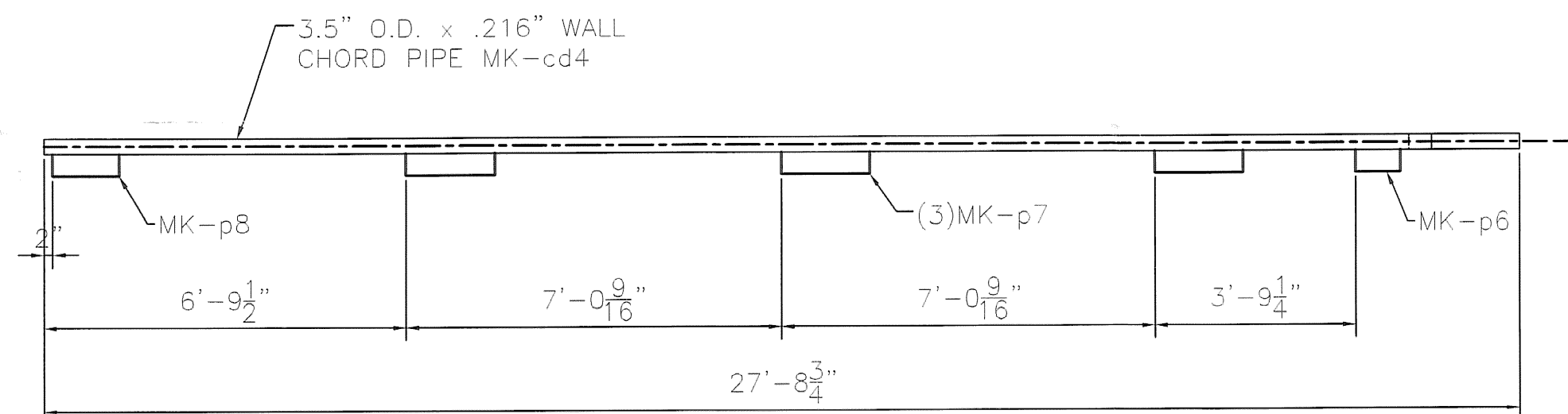
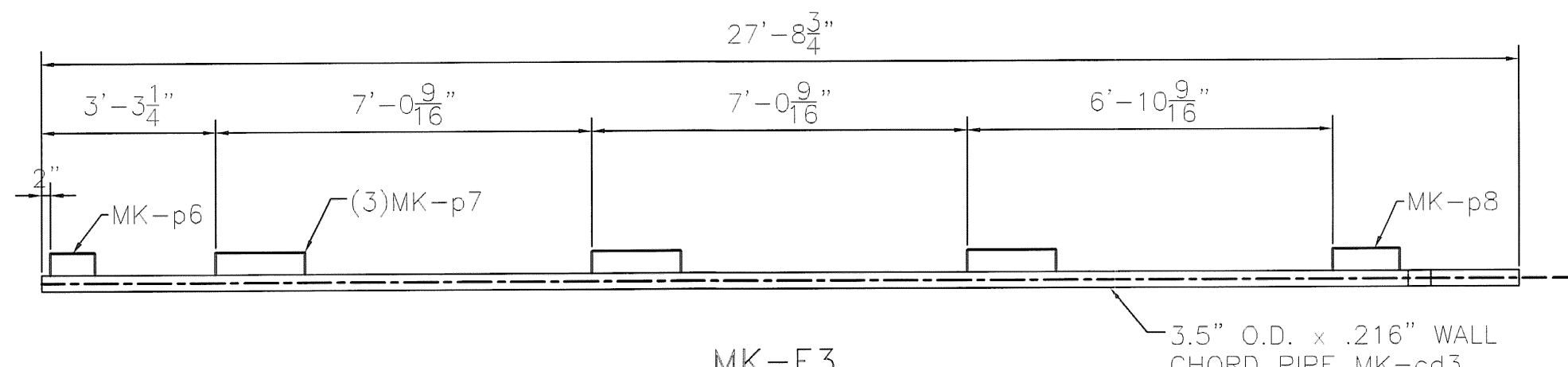
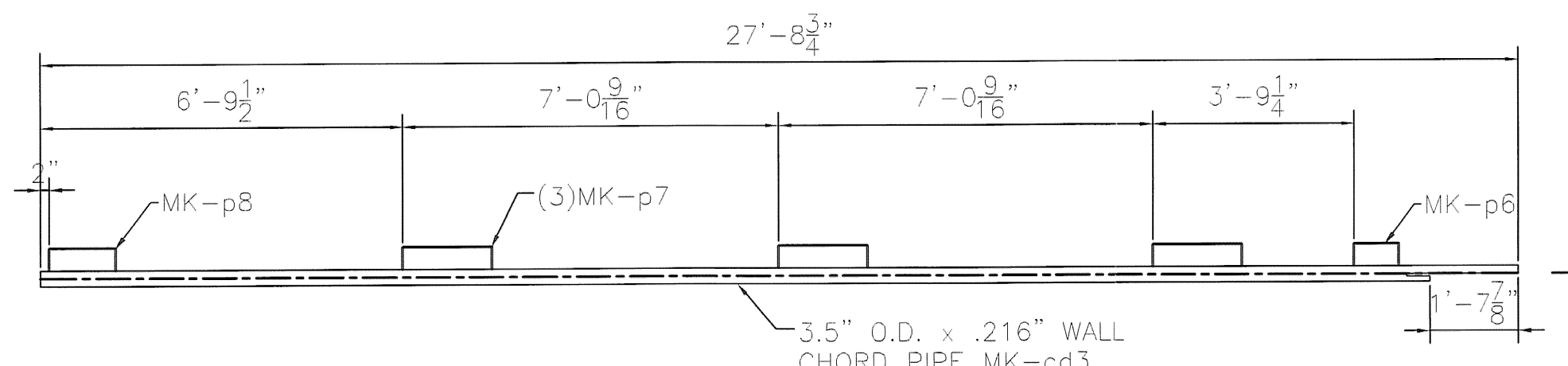
MK-E1



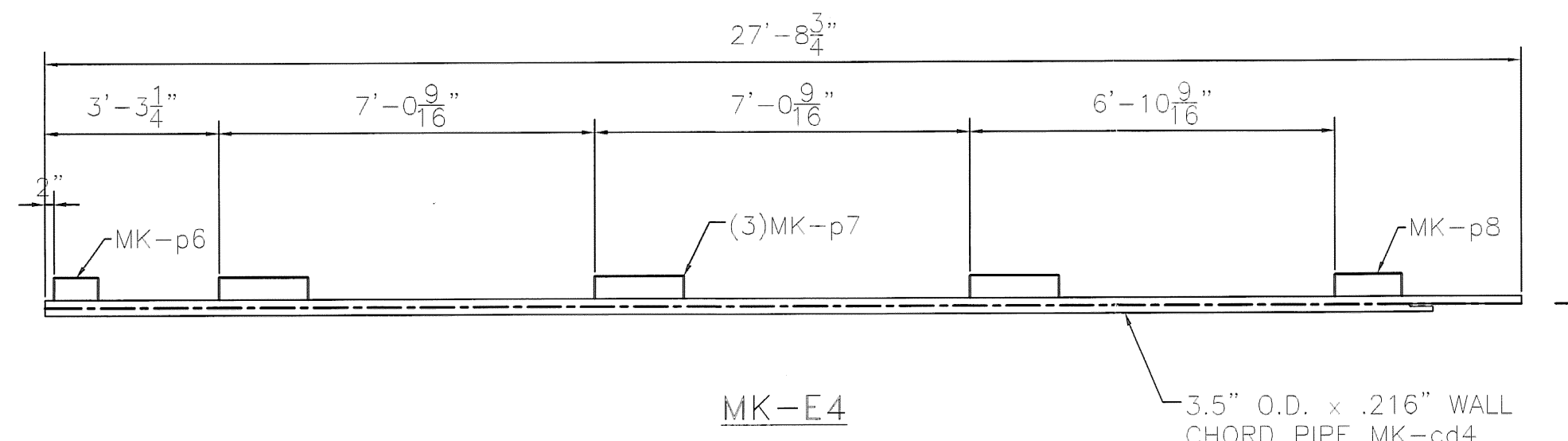
MK-E3



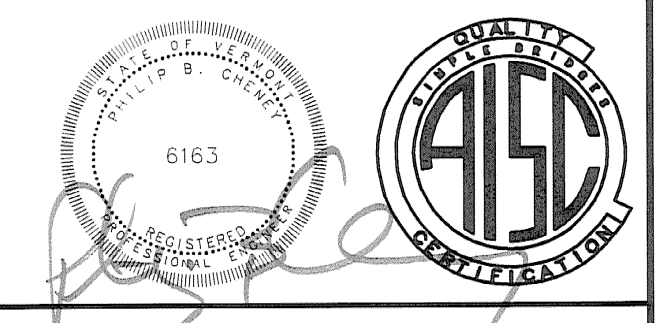
MK-E2



MK-E4



GWC
 06/18/07
 ELS



HIGHWAY SAFETY CORP.
 GLASTONBURY, CT

CANTILEVER SIGN STRUCTURE
 STATE OF VERMONT
 COUNTY OF CALEDONIA
 INTERSTATE RTE. 91 STA.127.628 NB
 PROJECT No. AC IM 091-2(73)

CHECKED P. Radice
 DATE 3/23/07
 SCALE N.T.S.
 SHEET NO. 3 of 6
 REVISION 0
 CONTRACTOR F.R. LAFAYETTE

REVISIONS		
No.	Remarks	Date
0	Initial submittal	