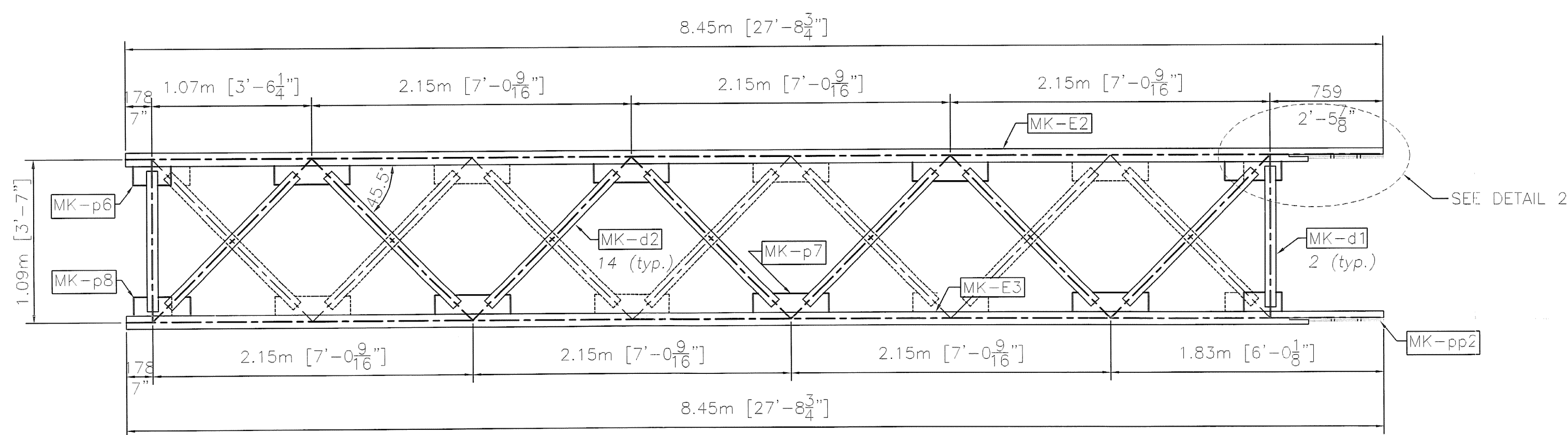
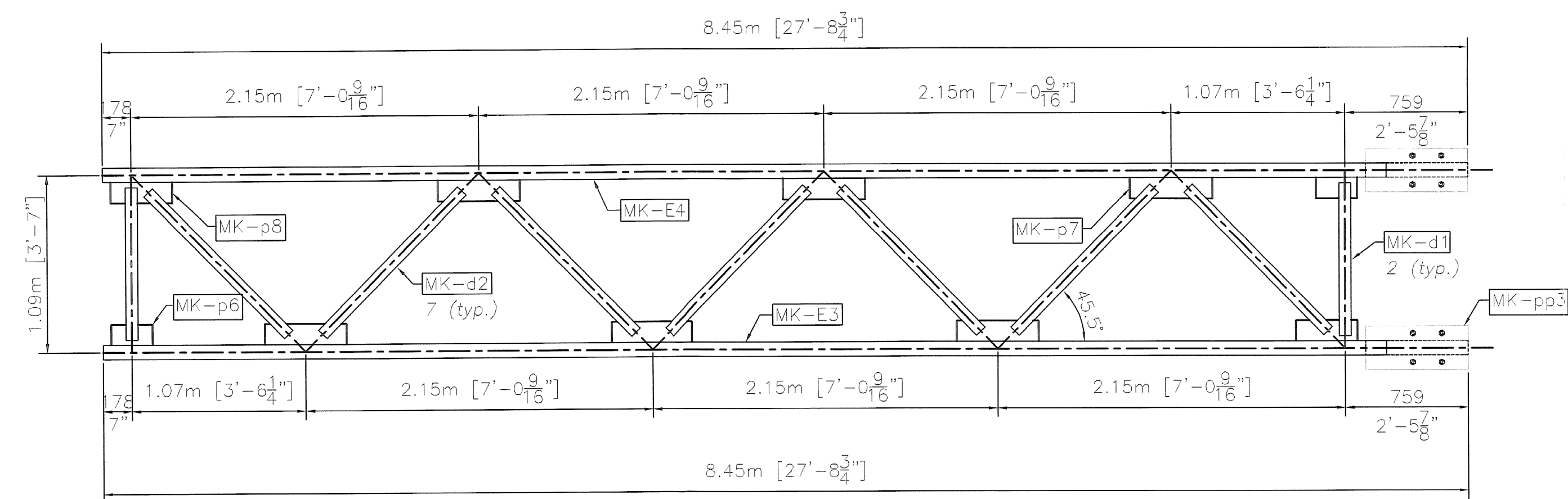


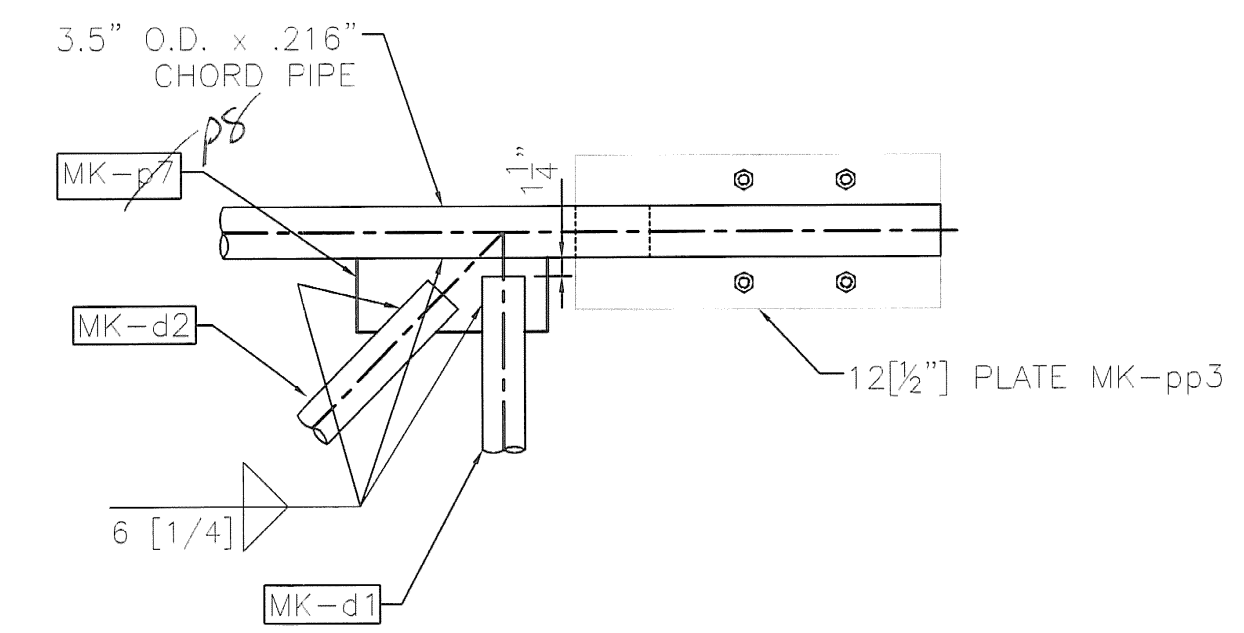
TOP VIEW



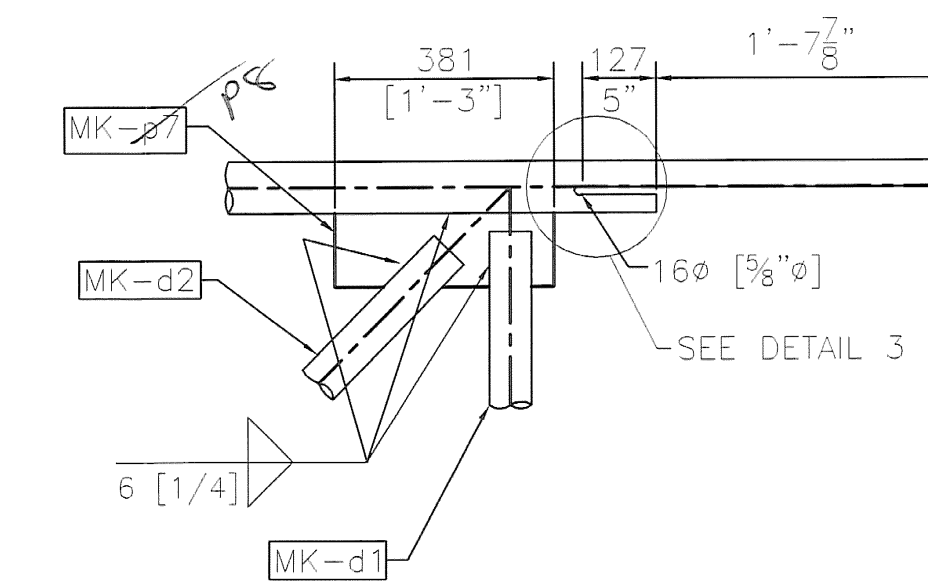
FRONT VIEW



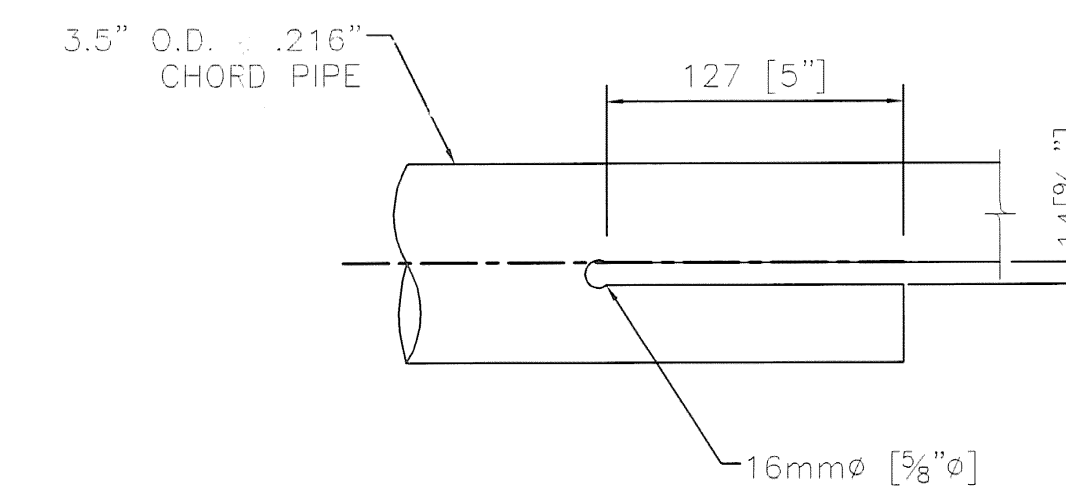
BOTTOM VIEW



DETAIL 1

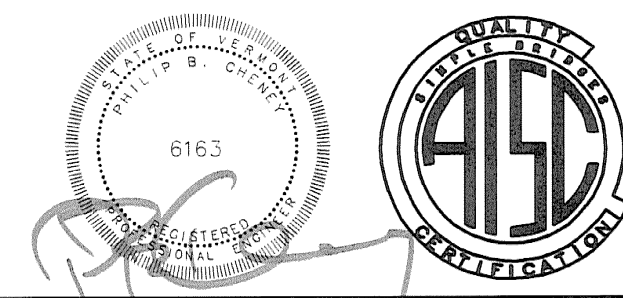


DETAIL 2



DETAIL 3

AC EL  
 A/N  
 EL 06/15/07



**HIGHWAY SAFETY CORP.**  
 GLASTONBURY, CT

CANTILEVER SIGN STRUCTURE  
 STATE OF VERMONT  
 COUNTY OF CALEDONIA  
 INTERSTATE RTE. 91 STA.127.628 NB  
 PROJECT No. AC IM 091-2(73)

DESIGN: MHM  
 CHECKED: P. Radice  
 DATE: 3/23/07  
 SCALE: N.T.S.  
 1587c  
 2 of 6

REVISIONS		
No.	Remarks	Date
0	Initial submittal	