

127.195 SB
Barnet 8
White River Jct 58

127.507 SB
SPEED LIMIT 65
MINIMUM 40

127.602 SB
GROOVED SHOULDER

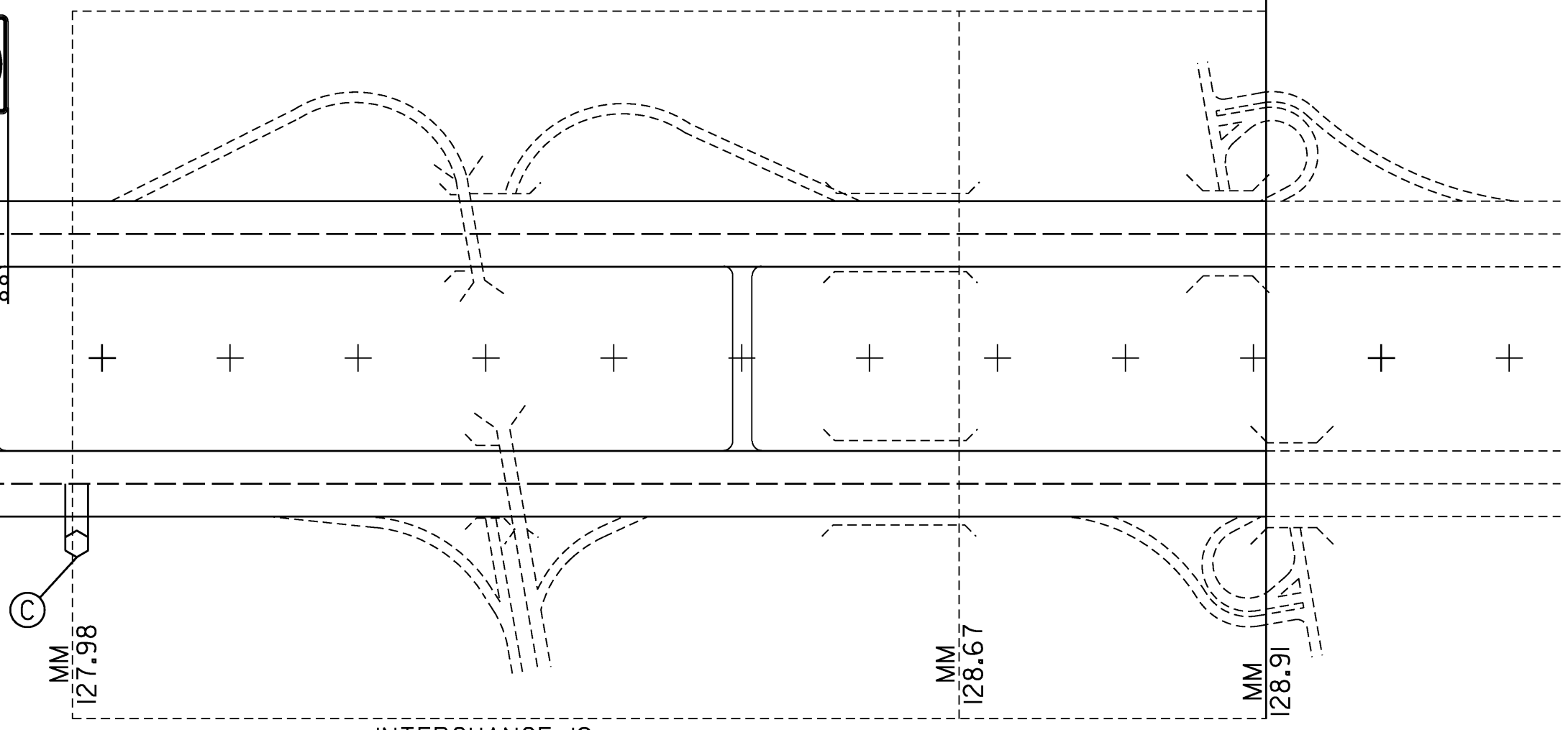
127.696 SB
SOUTH INTERSTATE 91
BEEHIVE STATE ROUTE 91

127.772 SB
EMERGENCY STOPPING ONLY

END PROJECT
IM 091-2(73)
(MM 128.91)

MM 127.10
MATCH LINE SEE PREVIOUS SHEET

127.925 SB
No Right Turn sign



127.628 NB
EXIT 19
SOUTH
Littleton NH
1/2 MILE

127.800 NB
St. Johnsbury
EXITS 20, 21, 22

127.903 NB
No Right Turn sign

OVERHEAD TRAFFIC
SIGN SUPPORT, CANTILEVER

127.220 NB
EXIT 19
SOUTH
Littleton NH
1 MILE

127.420 NB
TRUCK ROUTE
EXIT 19 TO 2 EAST
EXIT 21 2 WEST

127.980 NB
EXIT 19
SOUTH
Littleton NH

OVERHEAD TRAFFIC
SIGN SUPPORT, CANTILEVER

**ALL SIGNS AND POSTS ARE
NEW UNLESS OTHERWISE NOTED**

NEW SIGNS	PROJECT NAME: RYEGATE-ST. JOHNSBURY
	PROJECT NUMBER: IM 091-2(73)
	FILE NAME: 97194s-ml.dgn
	PLOT DATE: 12/13/2006
	PROJECT LEADER: CRB
	DRAWN BY: JCS
	DESIGNED BY: DAM
	CHECKED BY: DAM
	CLD REF. NO.: 97-0194
	SHEET 24 OF 88