

646.622 TEMPORARY 6" WHITE LINE, PAINT
 646.426 DURABLE 6" WHITE LINE, RECESSED POLYUREA OR
 646.428 DURABLE 6" WHITE LINE, RECESSED THERMOPLASTIC OR
 646.429 DURABLE 6" WHITE LINE, RECESSED EPOXY PAINT,
 122.700 TO 128.554 SOLID RT
 122.700 TO 128.554 DASHED CL

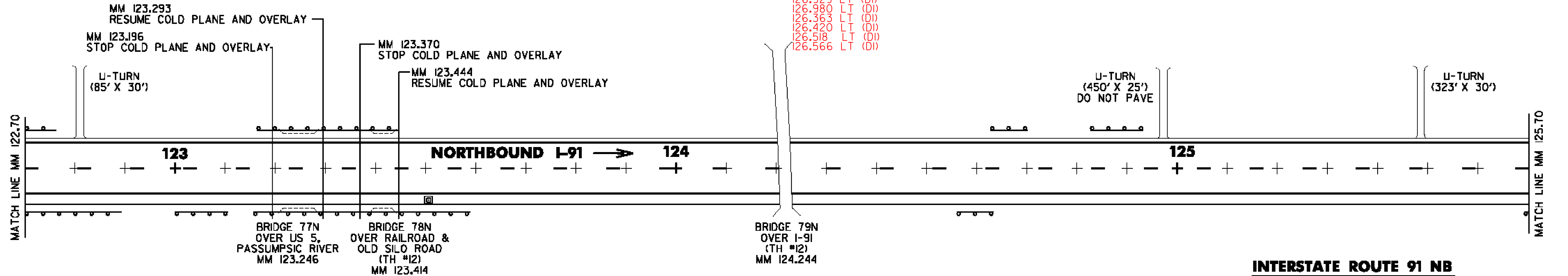
646.632 TEMPORARY 6" YELLOW LINE, PAINT
 646.436 DURABLE 6" YELLOW LINE, RECESSED POLYUREA OR
 646.438 DURABLE 6" YELLOW LINE, RECESSED THERMOPLASTIC OR
 646.439 DURABLE 6" YELLOW LINE, RECESSED EPOXY PAINT,
 122.700 TO 128.554 SOLID LT

613.10 STONE FILL, TYPE I
 613.11 STONE FILL, TYPE II
 SEE DITCH CLEANING SHEET
 620.12 CHAIN-LINK FENCE, 6 FEET
 620.21 BRACING ASSEMBLY FOR CHAIN-LINK FENCE, 6 FEET
 126.782 RT (50' x 95') BRIDGE 80 N
 201.31 THINNING AND TRIMMING FOR SIGNS
 127.781 RT

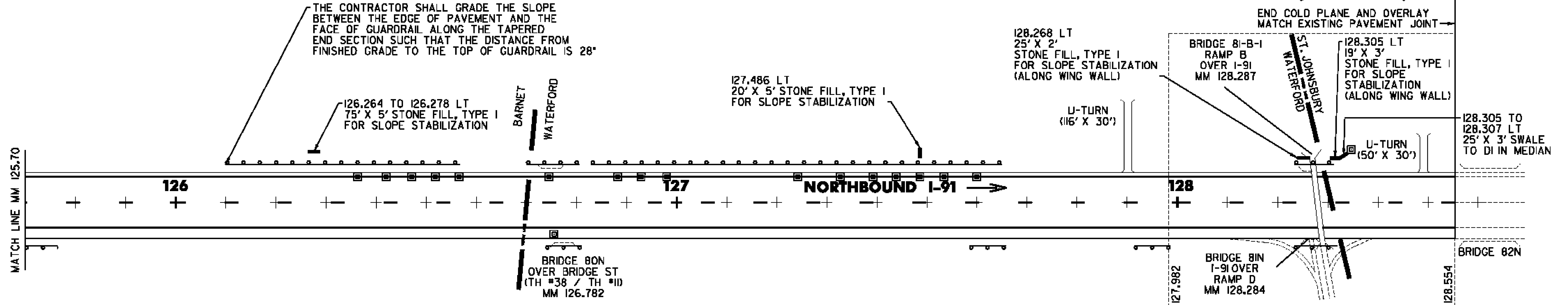
604.412, 604.415 REHAB. DROP INLETS,
 CATCH BASINS, OR MANHOLES,
 CLASS I OR CLASS II
 123.505 RT (DI) 126.929 LT (DI)
 126.363 LT (DI) 126.980 LT (DI)
 126.420 LT (DI) 127.242 LT (DI)
 126.471 LT (DI) 127.326 LT (DI)
 126.518 LT (DI) 127.392 LT (DI)
 126.566 LT (DI) 127.438 LT (DI)
 126.745 LT (DI) 127.486 LT (DI)
 126.755 LT (DI) 127.534 LT (DI)
 126.882 LT (DI) 127.599 LT (DI)

616.305 BITUMINOUS CONCRETE CURB, TYPE A
 621.17 CABLE GUARDRAIL
 621.20 STEEL BEAM GUARDRAIL, GALVANIZED
 621.205 STEEL BEAM GUARDRAIL, GALVANIZED W/8 FEET POSTS
 621.50 MANUFACTURED TERMINAL SECTION, FLARED
 621.51 MANUFACTURED TERMINAL SECTION, TANGENT
 621.60 ANCHOR FOR STEEL BEAM RAIL
 621.65 ANCHOR FOR CABLE RAIL
 621.70 GUARDRAIL APPROACH SECTION, GALVANIZED TYPE I
 621.71 GUARDRAIL APPROACH SECTION, GALVANIZED TYPE II
 621.75 REMOVE AND RESET GUARDRAIL
 621.76 REPLACE GUARDRAIL POST ASSEMBLY
 621.77 REPLACE GUARDRAIL BEAM UNIT
 621.80 REMOVAL AND DISPOSAL OF GUARDRAIL
 900.620 SPECIAL PROVISION (DELINEATOR WITH STEEL POST)
 900.640 SPECIAL PROVISION (BRIDGE RAILING, GALVANIZED 2 RAIL BOX BEAM/CURB MOUNTED)
 SEE ITEM DETAIL SUMMARY SHEETS

900.620 SPECIAL PROVISION
 (DECOMMISSION CURB DROP INLET)
 126.882 LT (DI)
 126.929 LT (DI)
 126.980 LT (DI)
 126.363 LT (DI)
 126.420 LT (DI)
 126.518 LT (DI)
 126.566 LT (DI)



**INTERSTATE ROUTE 91 NB
 END PROJECT
 NEWBURY-ST. JOHNSBURY
 IM 091-2(78)
 (MM 128.554)**



PAVEMENT CORES IN (SHOULDERS)

#	MM	DEPTH	PCC
32	123.00	2.5'	NO
33	123.50	2.875'	NO
34	124.00	3.25'	NO
35	124.50	2.5'	NO
36	125.00	3.625'	NO
37	125.50	3.625'	NO
38	126.00	3.125'	NO
39	126.50	3.5'	NO
40	127.00	3.125'	NO
41	127.40	2.625'	NO
42	127.80	3.0'	NO

- LEGEND**
- = EXISTING GUARDRAIL
 - = PROPOSED GUARDRAIL
 - = YELLOW LINE
 - = WHITE LINE
 - = DELINEATOR
 - = DI

MAINLINE LAYOUT 3

PROJECT NAME: NEWBURY-ST. JOHNSBURY
 PROJECT NUMBER: IM 091-2(78)

FILE NAME: /pave/06a044/pa044
 PROJECT LEADER: PTS
 DESIGNED BY: NLL
 IPARM FILE NAME: 06A044.20

PLOT DATE: 8/5/2011
 DRAWN BY: WWG
 CHECKED BY: PTS
 SHEET 20 OF 33

NOT TO SCALE