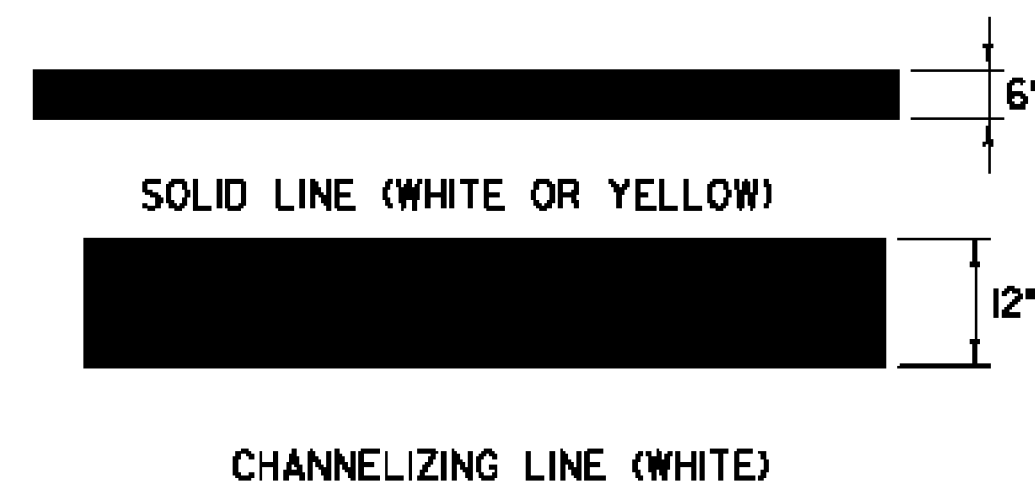
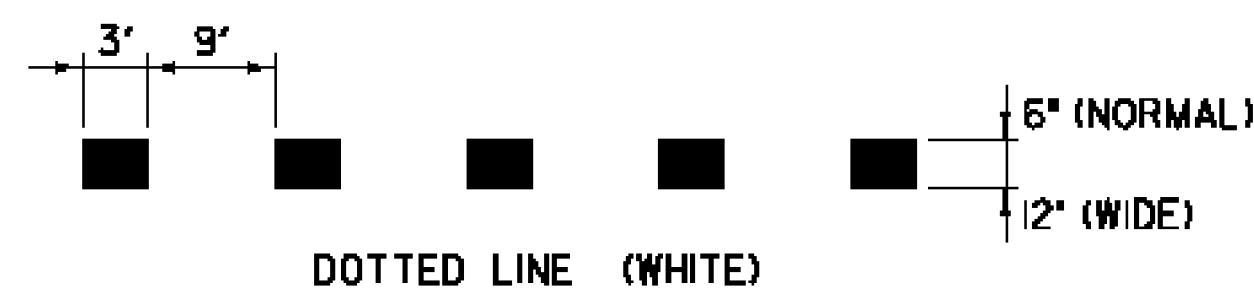
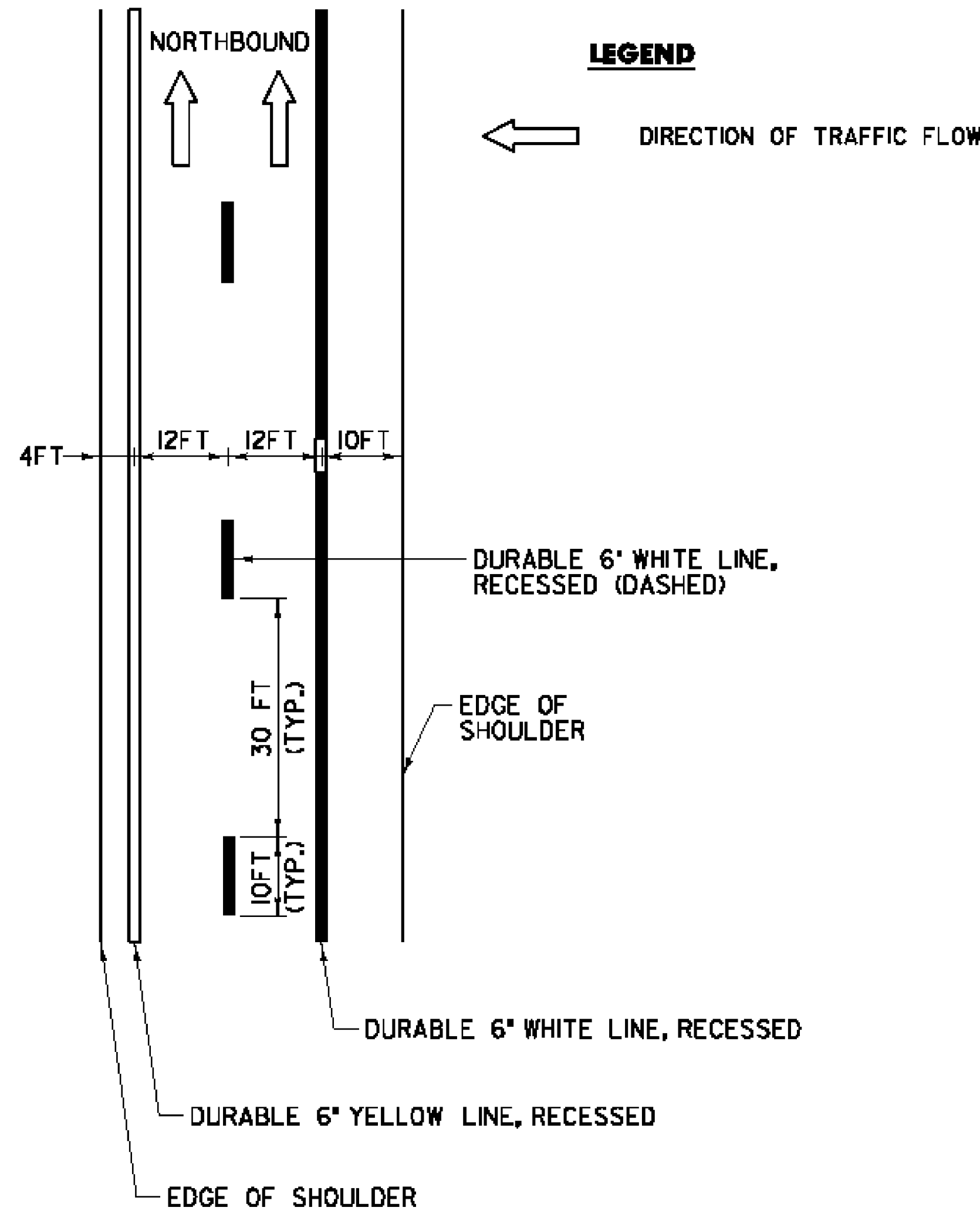


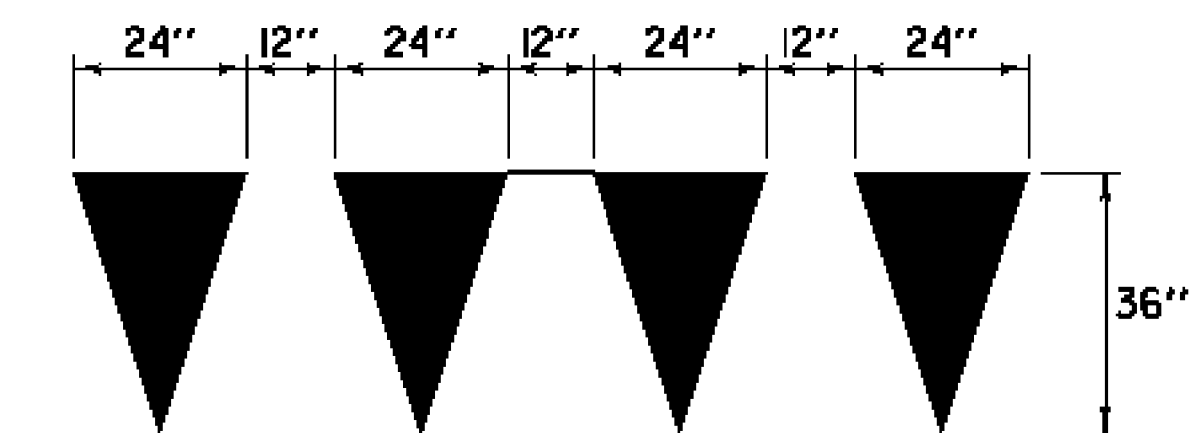
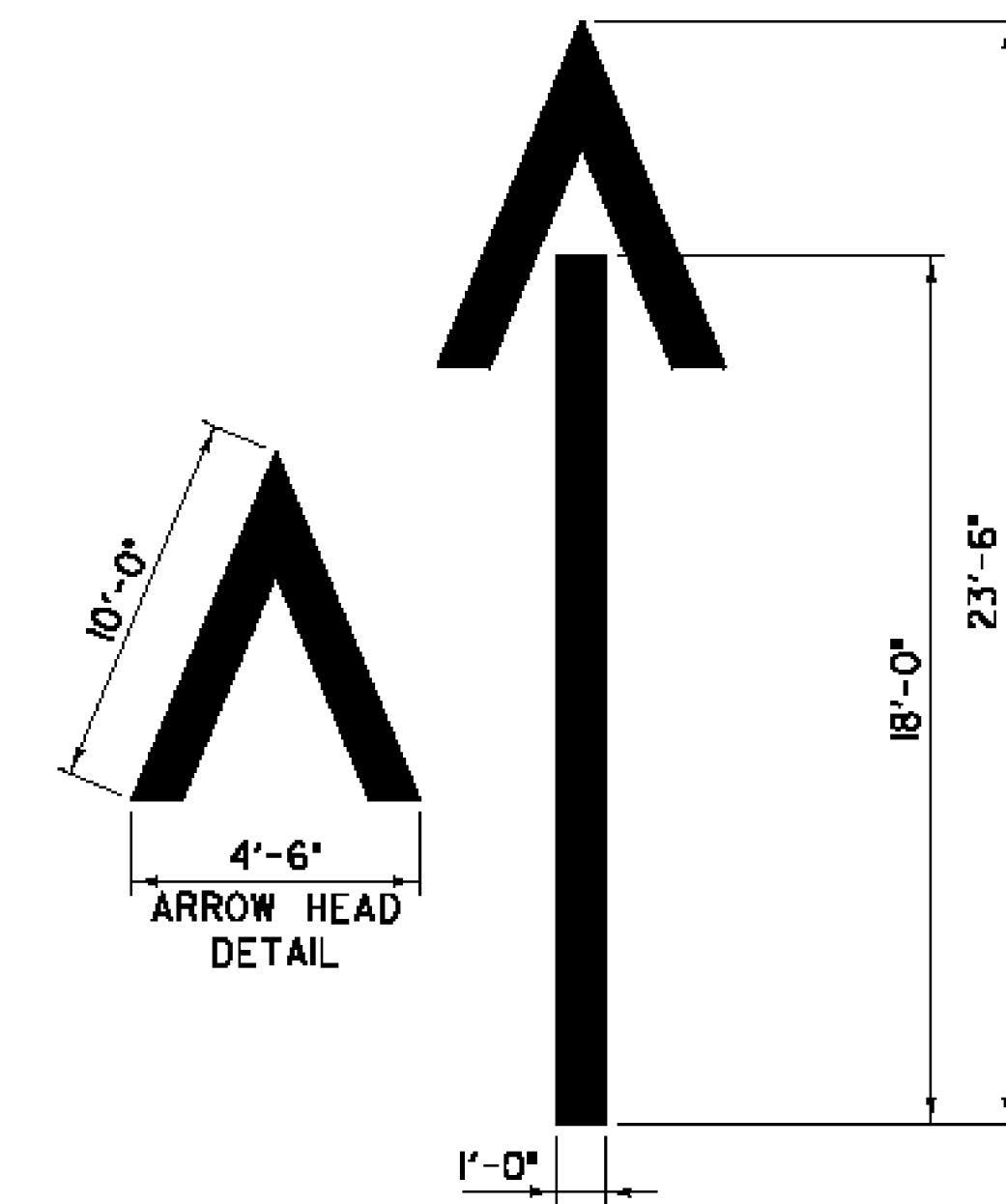
PAVEMENT MARKING DETAILS



PAVEMENT MARKING LINE DETAILS

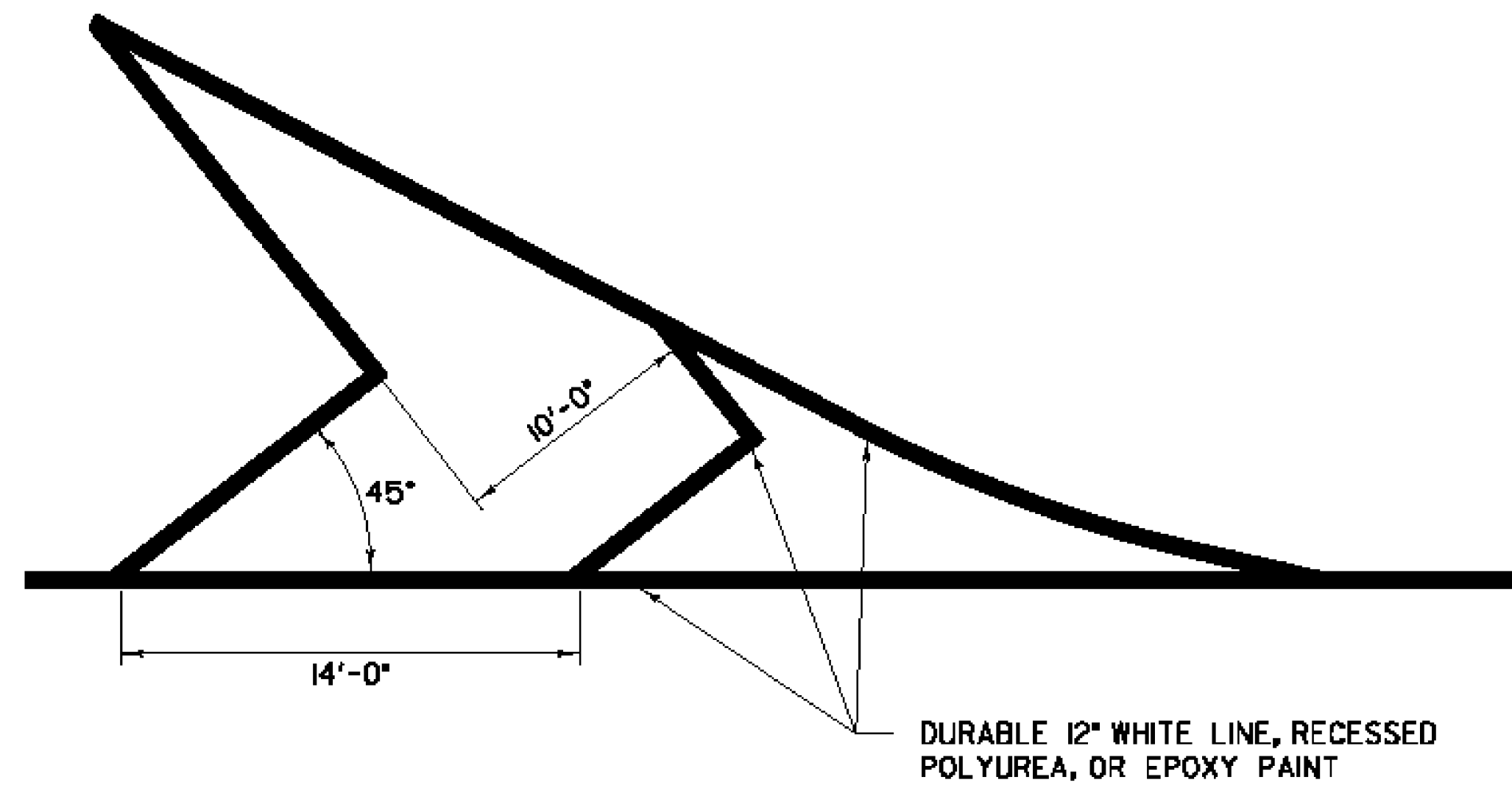


TYPICAL MAINLINE MARKING PLAN



NOTE

EACH TRIANGLE SHALL BE PAID AS ONE EACH LETTER OR SYMBOL.



NOT TO SCALE

PAVEMENT MARKINGS DETAIL SHEET

PROJECT NAME: NEWBURY-ST. JOHNSBURY

PROJECT NUMBER: IM 091-2(78)

FILE NAME: /pave/06a044/pa044

PROJECT LEADER: PTS

DESIGNED BY: NLL

IPARM FILE NAME: 06A044.8

PLOT DATE: 8/5/2011

DRAWN BY: SNG

CHECKED BY: PTS

SHEET 8 OF 33