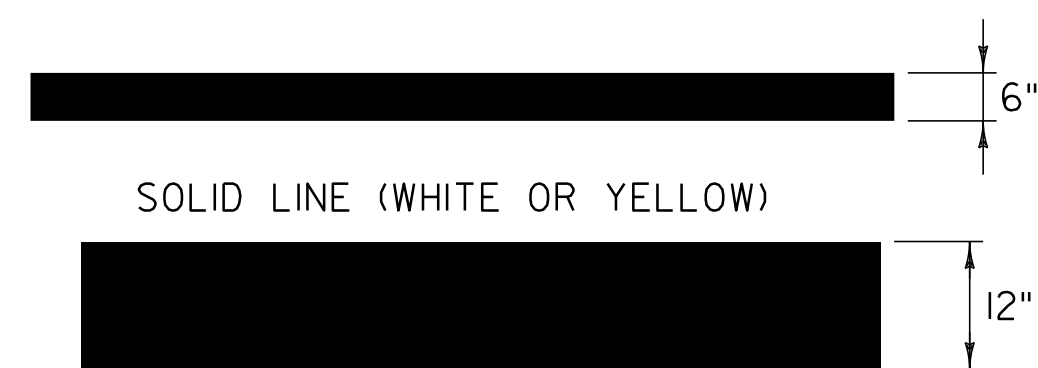
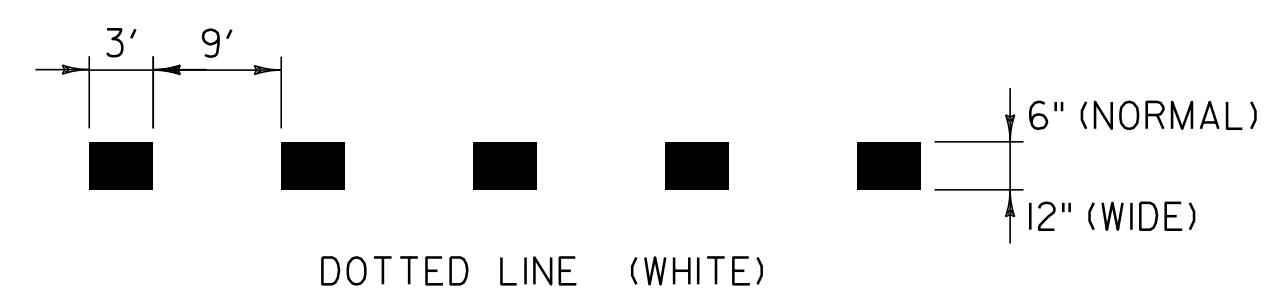
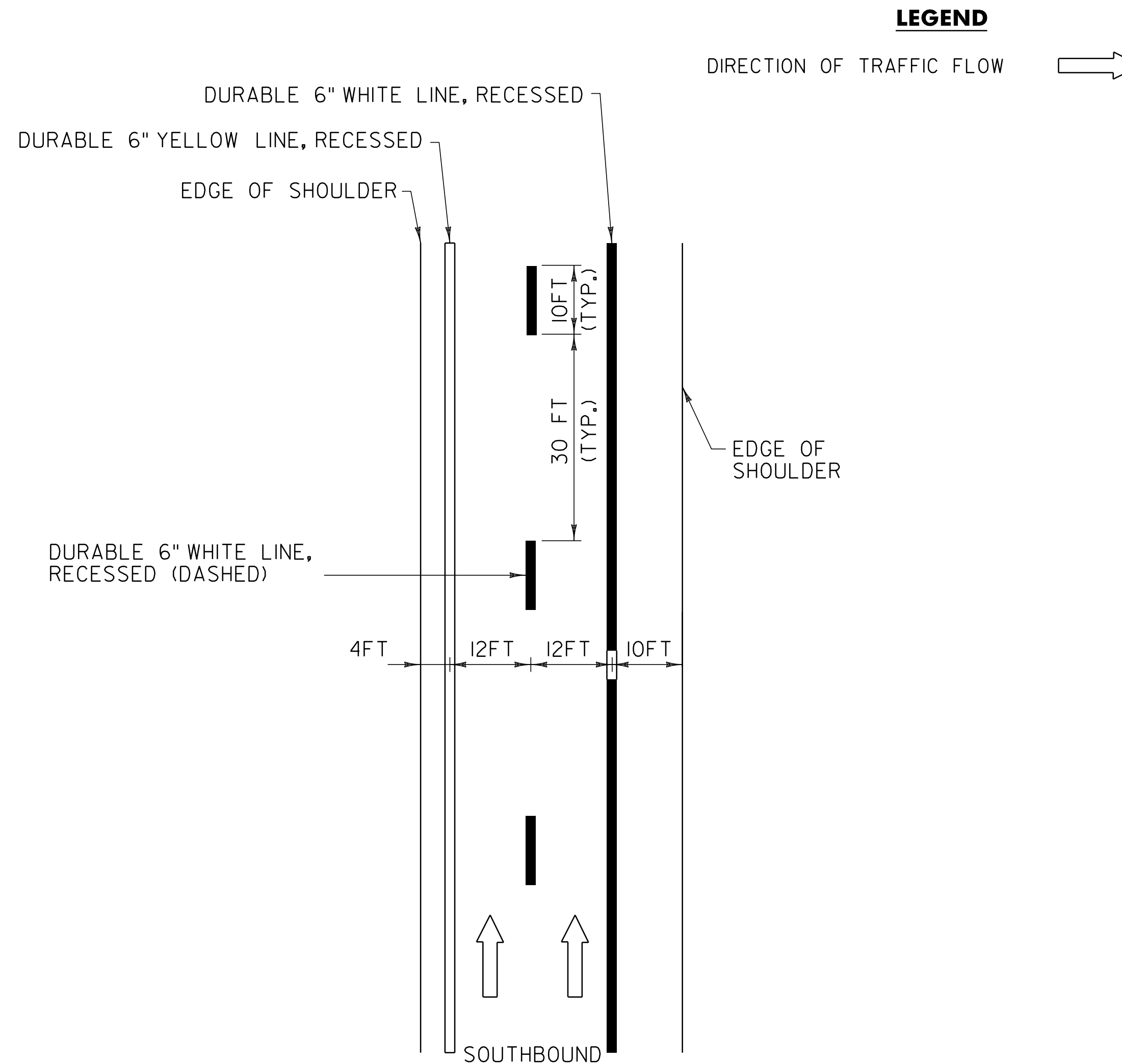


**PAVEMENT MARKING DETAILS**



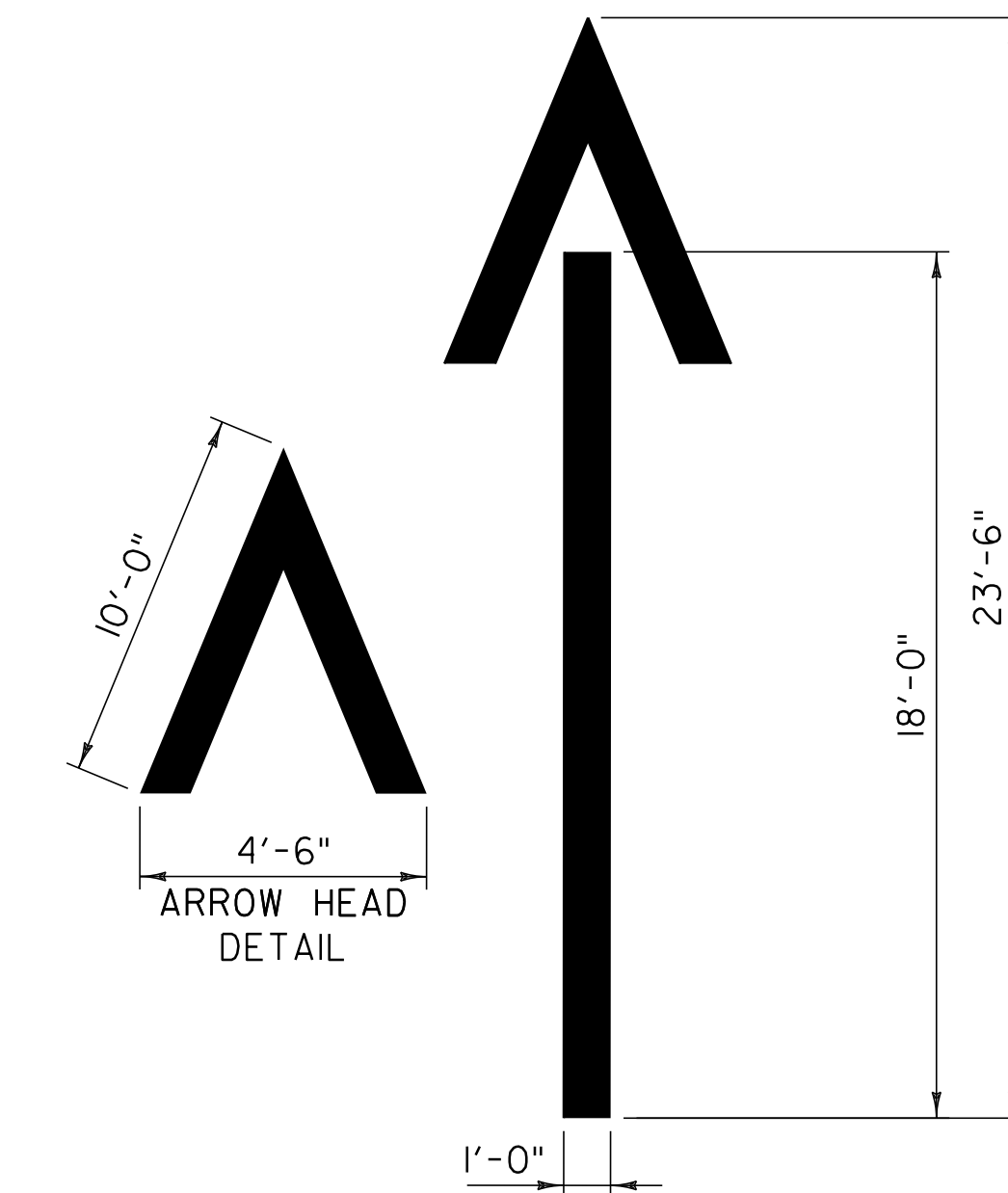
**PAVEMENT MARKING LINE DETAILS**



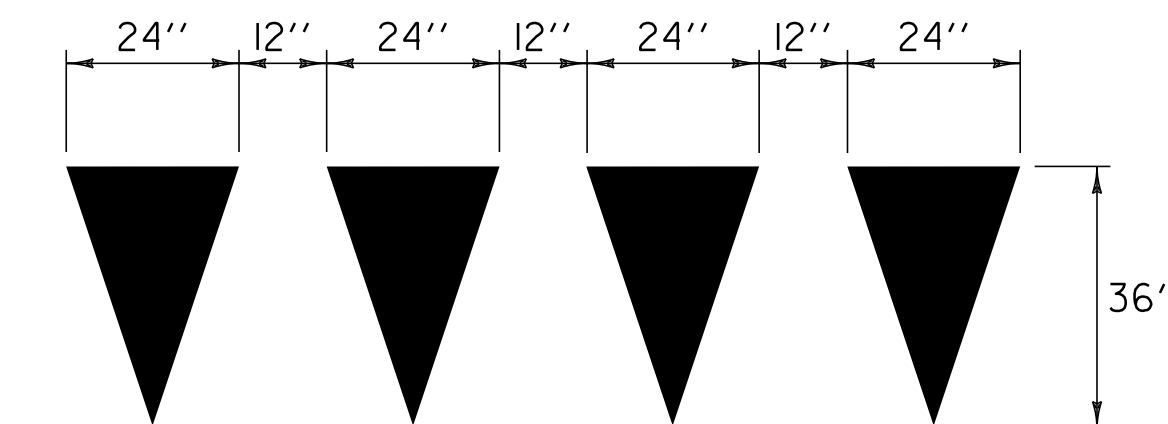
**TYPICAL MAINLINE MARKING PLAN**

**LEGEND**

DIRECTION OF TRAFFIC FLOW →



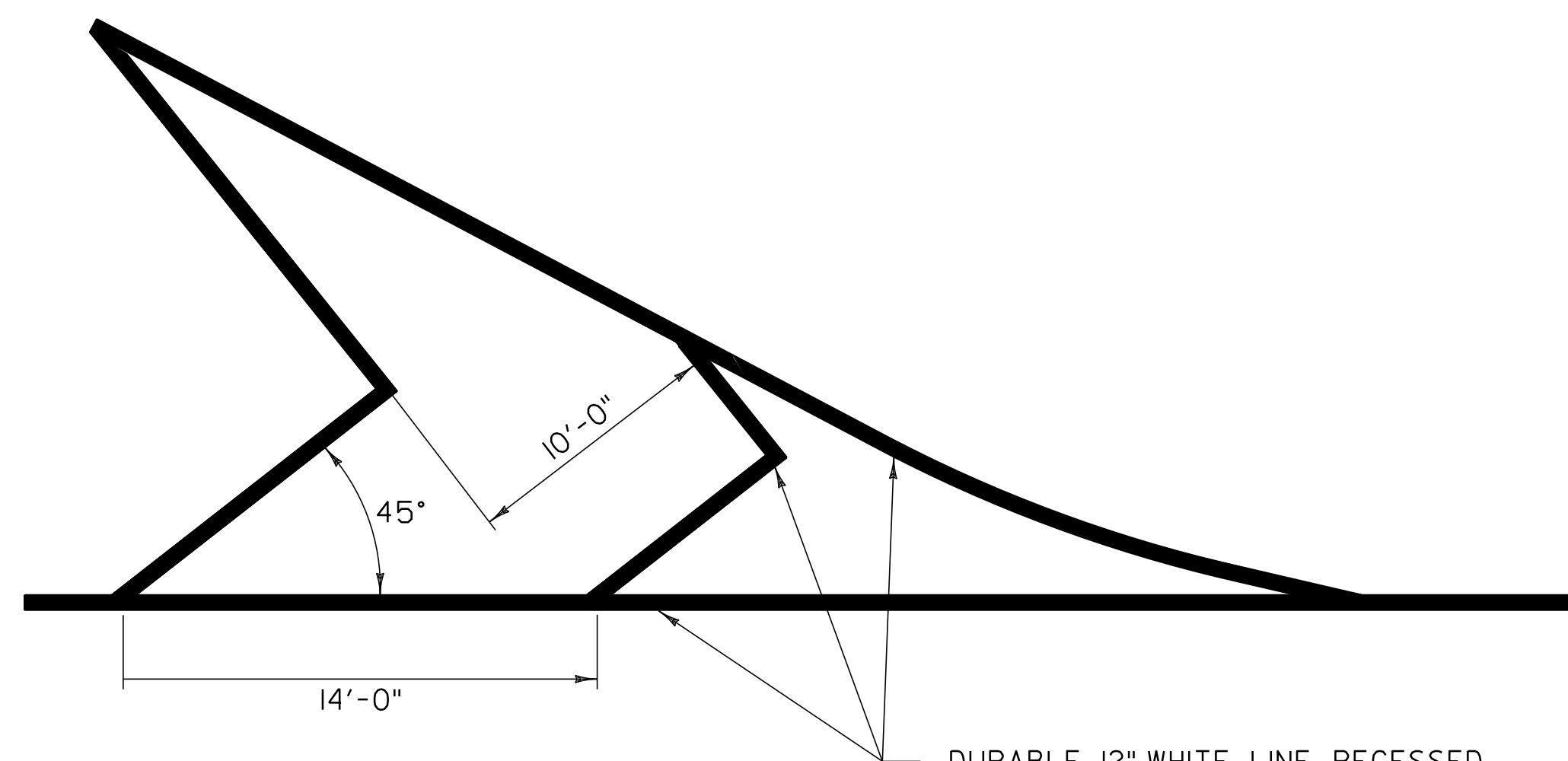
**WRONG WAY ARROW**



**YIELD LINE DETAILS**

NOTE

1. EACH TRIANGLE SHALL BE PAID AS ONE EACH LETTER OR SYMBOL



**GORE MARKING DETAIL**

DURABLE 12" WHITE LINE, RECESSED POLYUREA, OR EPOXY PAINT

NOT TO SCALE

**PAVEMENT MARKINGS DETAIL SHEET**

PROJECT NAME: NEWBURY-ST. JOHNSBURY  
PROJECT NUMBER: AC IM 091-2(76)

FILE NAME: 06a046  
PROJECT LEADER: PTS  
DESIGNED BY: NLL  
IPARM FILE NAME: 06A046\_I5

PLOT DATE: 29-JUL-2014 16:46  
DRAWN BY: JLS  
CHECKED BY: PTS  
SHEET 15 OF 33