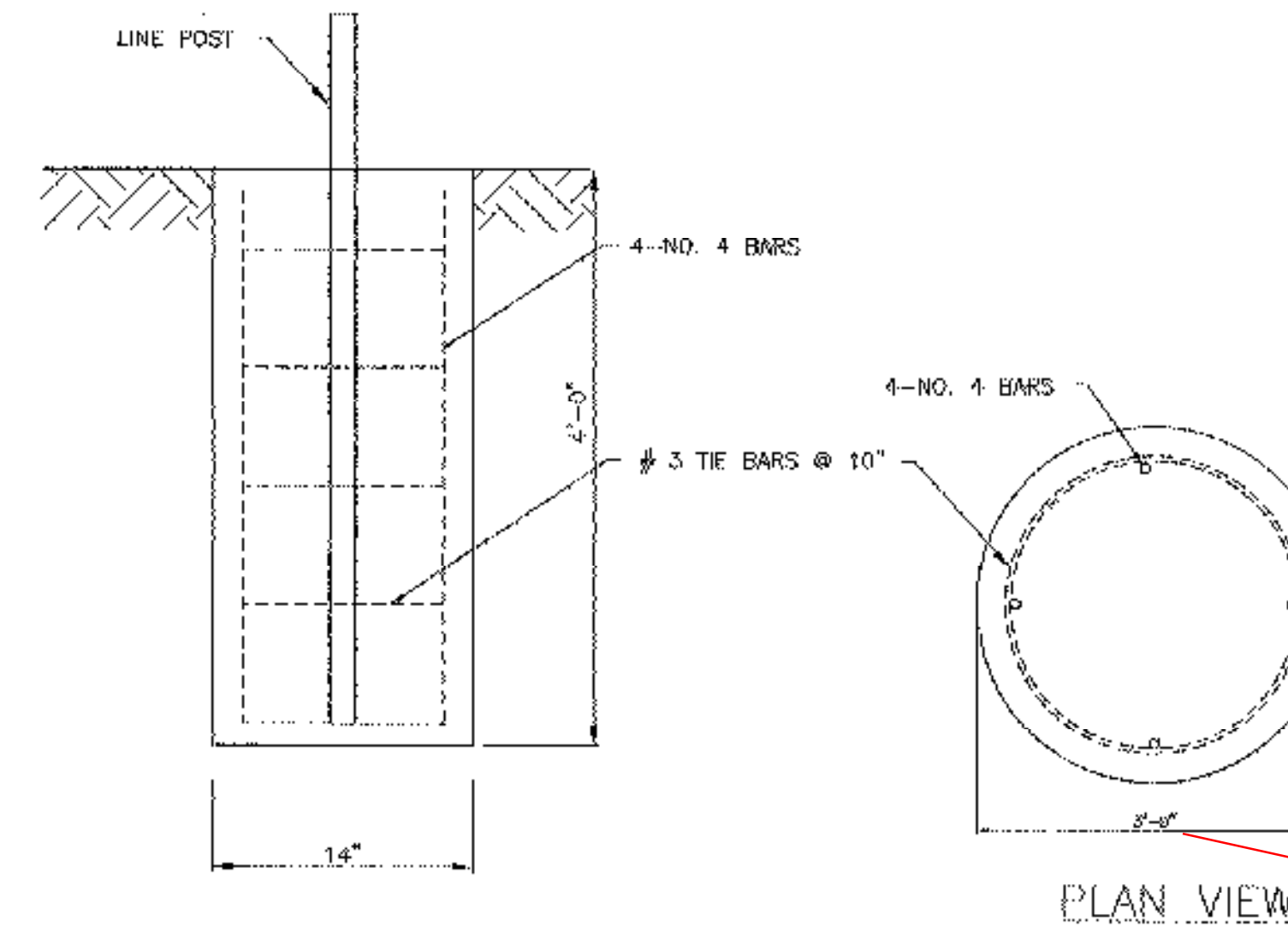


MAINLINE TYPICAL SECTION

STA 2985+59 (M.M. 56.545) TO STA 3002+18 (M.M. 56.860) NB



14" PER ADDENDUM #2 DATED 3/21/06

ELEVATION VIEW

PLAN VIEW

END ANCHORAGE FOUNDATION DETAIL

(SEE SHEET 2A OF 9)

LINE POST FOUNDATION DETAIL

NOT TO SCALE

TYPICAL SHEET	PROJECT NAME:	STATEWIDE
	PROJECT NUMBER:	STP GARD(II)
	FILE NAME:	PLOT DATE: 17-MAR-2006
	PROJECT LEADER: MARIO DUPIGNY-GIROUX	DRAWN BY: BRM
DESIGNED BY: MARIO DUPIGNY-GIROUX	CHECKED BY: AJB	
IPARM NAME: brifentyp.l	SHEET 2 OF 9	