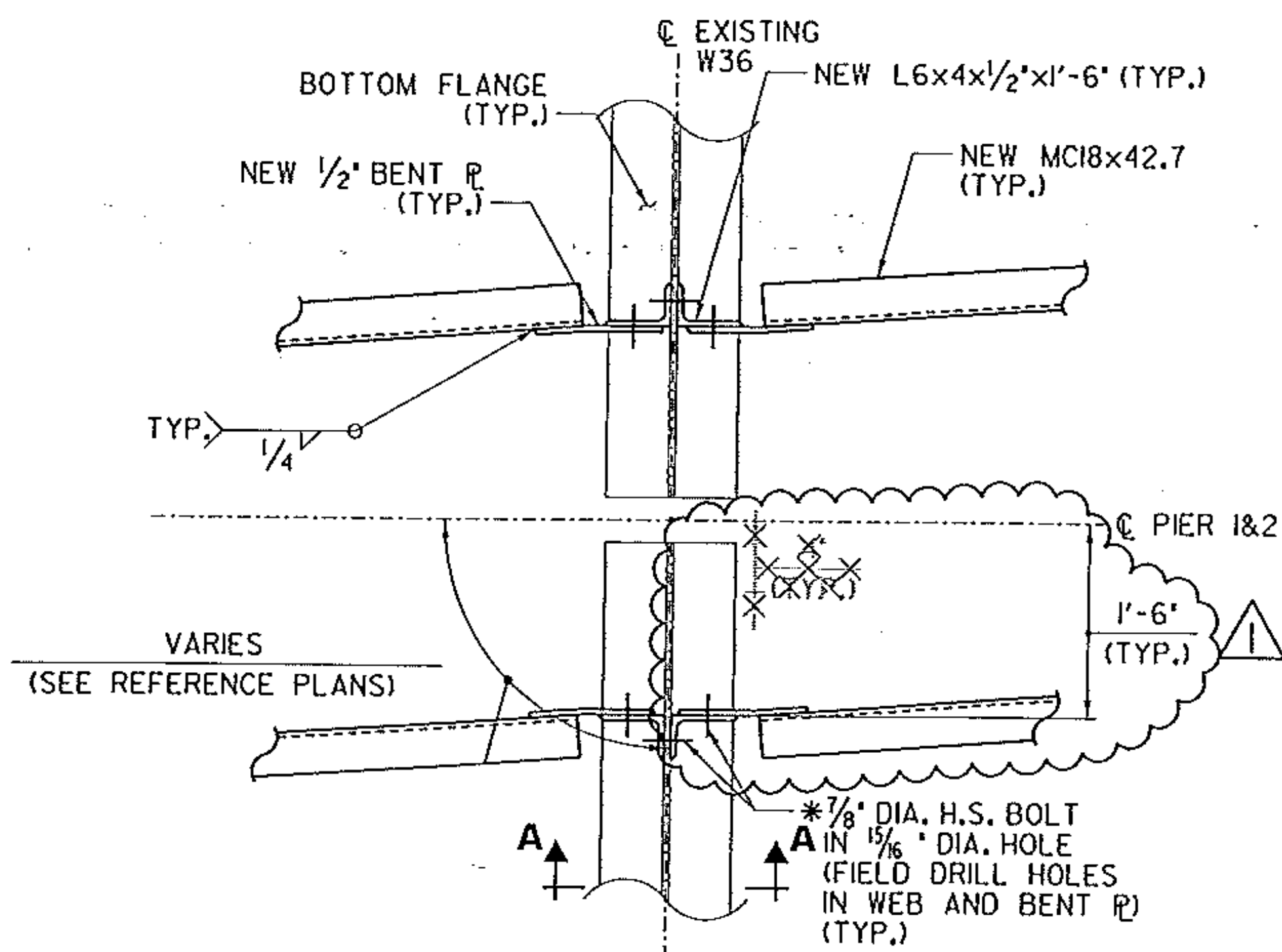
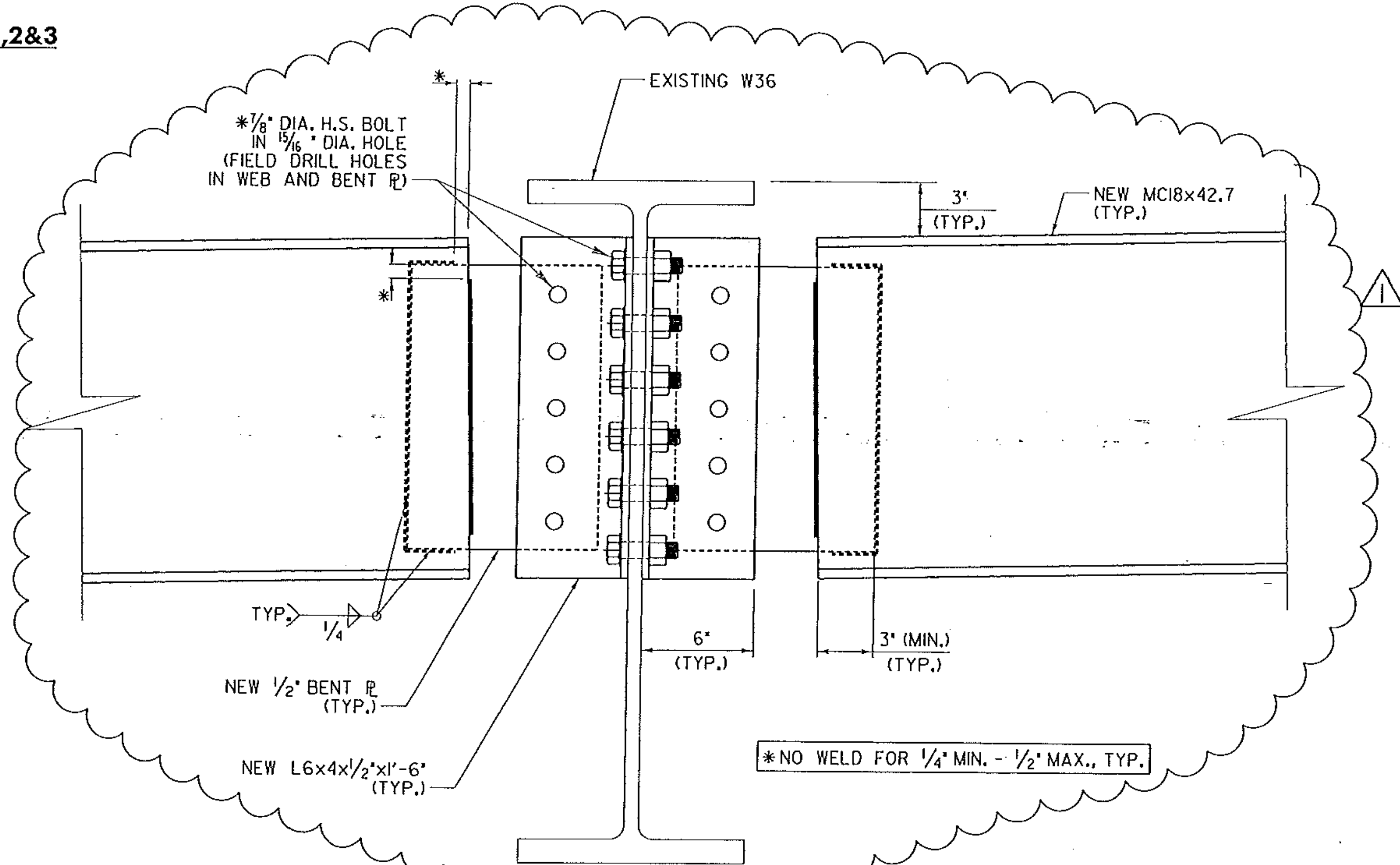


**BRIDGE 16N&S
PARTIAL REMOVAL SECTION AT PIERS 1,2&3**
SCALE: 1" = 1'-0"



**BRIDGE 16N&S PARTIAL
PLAN PIER DIAPHRAGM**
SCALE: 1" = 1'-0"

* VERIFY THAT A 2" MIN. EDGE DISTANCE IS PROVIDED BETWEEN NEW HOLES AND EXISTING HOLES IN THE BEAM WEB, NOTIFY ENGINEER IF ADEQUATE EDGE DISTANCE IS NOT PROVIDED WITH PROPOSED DIAPHRAGM CONFIGURATION.



SECTION A-A
SCALE: 3" = 1'-0"

REVISION	DATE	DESCRIPTION
1	02/01/11	LOCATION OF PROPOSED DIAPHRAGM RELOCATED AWAY FROM EXISTING CONCRETE DIAPHRAGM IN ORDER TO FACILITATE INSTALLATION.



PROJECT NAME: PUTNEY	PROJECT NUMBER: IM 091-(160)
FILE NAME: ...z05o288br16deckdla.REV.dgn	PLOT DATE: 2/4/2011
PROJECT LEADER: G. BOGUE	DRAWN BY: J. SOTER
DESIGNED BY: G. BOGUE	CHECKED BY: T. KNIGHT
BR 16 N&S DECK & DIAPHRAGM DETAILS	SHEET 12R OF 45