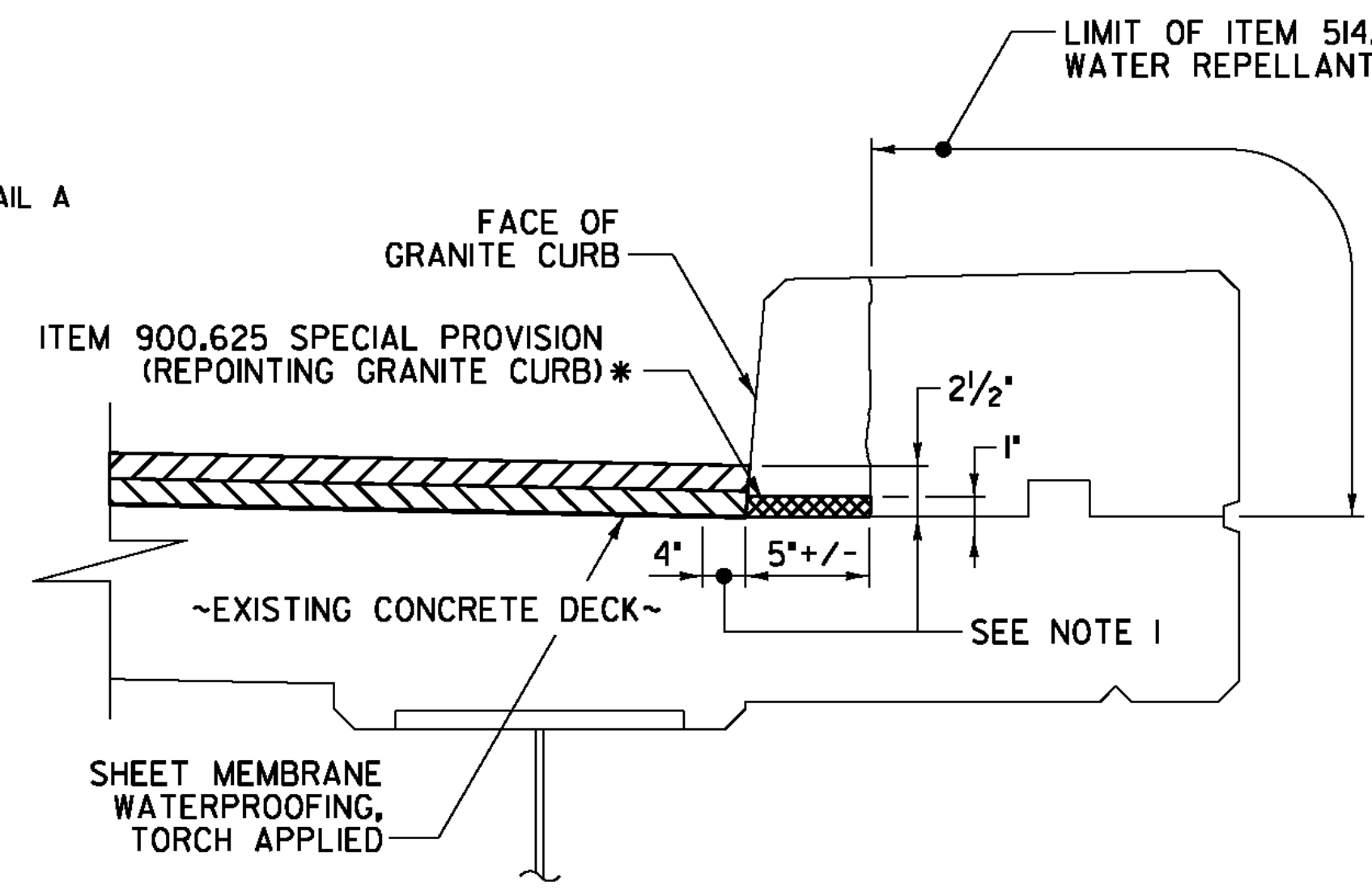


NOTE: RIGHT LANE CLOSURE AND RIGHT SIDE MEMBRANE SPlice SHOWN. LEFT LANE CLOSURE AND LEFT SIDE MEMBRANE SPlice SIMILAR. PLACEMENT OF THE MEMBRANE SHALL START AT THE LOW SIDE OF THE BRIDGE. THE SPlice SHALL BE AS SHOWN ABOVE, WITH THE HIGH SIDE OVERLAPPING THE LOW SIDE.

MEMBRANE SPlice DETAIL - SUPERELEVATED ROADWAY
NOT TO SCALE

DETAIL A

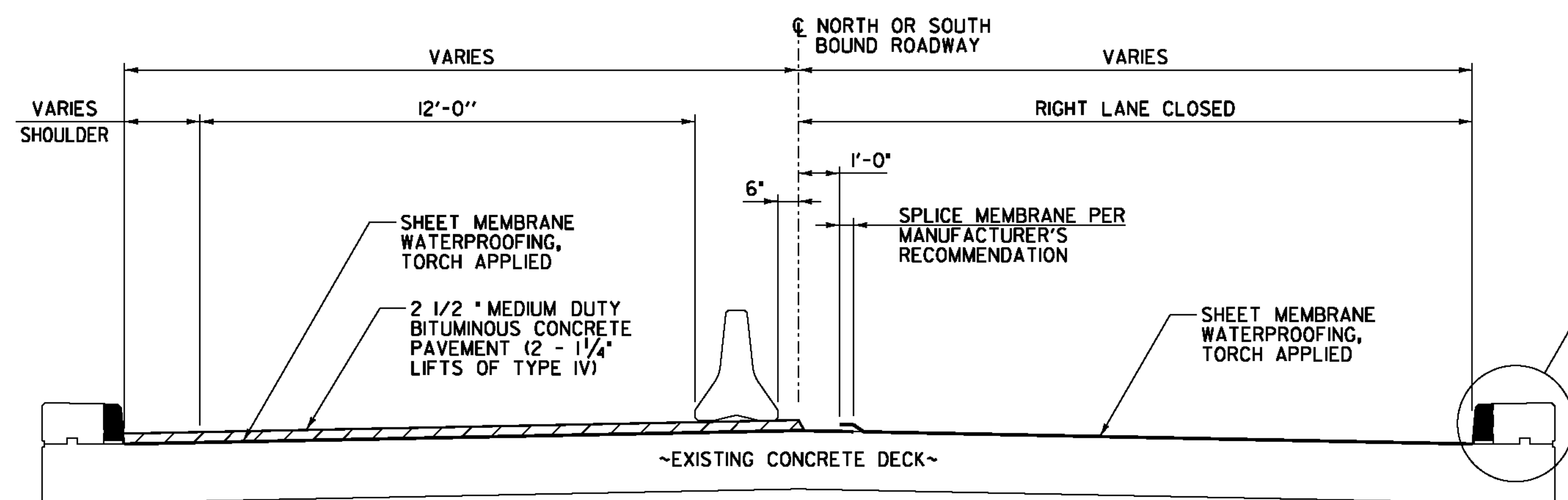


DETAIL A
NOT TO SCALE

DETAIL A NOTES:

1. INDICATES AREA ALONG DECK AND UP FACE OF CURB FOR PLACEMENT OF TWO COATS OF POLYURETHANE MEMBRANE.
2. POLYURETHANE MEMBRANE AND BLAST CLEANING SHALL BE INCLUDED IN THE UNIT PRICE BID FOR ITEM 519.20, SHEET MEMBRANE WATERPROOFING, TORCH APPLIED.
3. SHEET MEMBRANE WATERPROOFING SHALL EXTEND TO FACE OF CURB AS SHOWN.
4. IN ADDITION TO THE REQUIREMENTS OF SUBSECTION 519.04, BLAST CLEAN 2 1/2" UP THE FACE OF CURB PRIOR TO PLACING THE MEMBRANE, INCIDENTAL TO ITEM 519.20, SHEET MEMBRANE WATERPROOFING, TORCH APPLIED.

*EXISTING MORTAR BED AND VERTICAL CURB JOINTS TO BE REPOINTED AS DIRECTED BY THE RESIDENT ENGINEER. FOR QUANTITY ESTIMATE IT WAS ASSUMED THAT 20% OF THE BRIDGE CURB REQUIRES REPOINTING. A 1" HIGH BY 5" DEEP MORTAR BED AND VERTICAL JOINTS EQUATES TO 3.0 GAL/10 LF OF CURB.

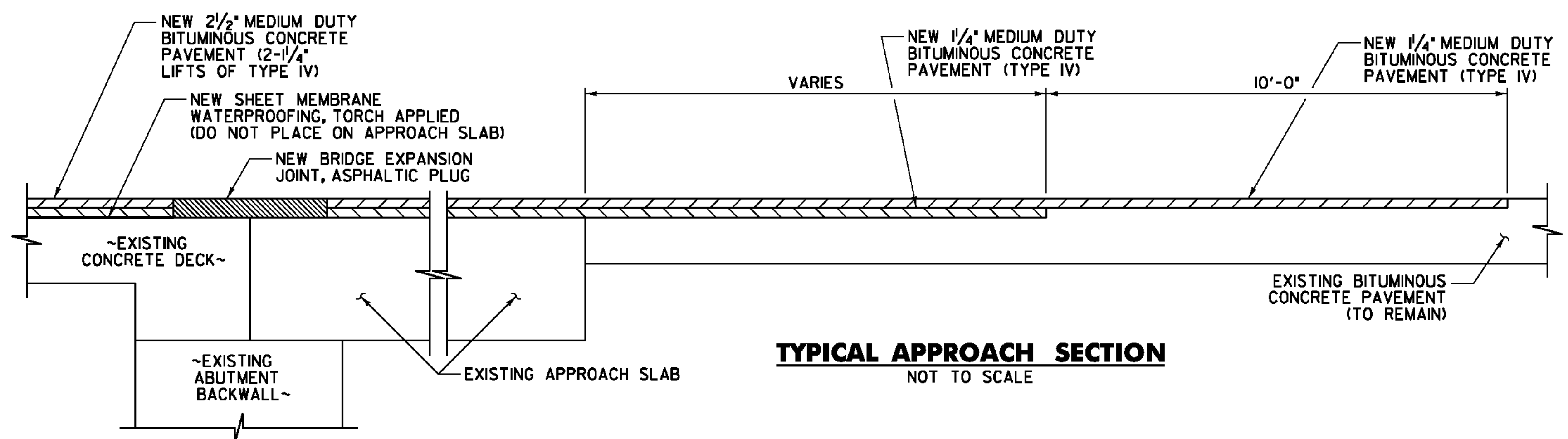


NOTE: RIGHT LANE CLOSURE AND RIGHT SIDE MEMBRANE SPlice SHOWN. LEFT LANE CLOSURE AND LEFT SIDE MEMBRANE SPlice SIMILAR. CONTRACTOR TO DETERMINE WHICH LANE THE MEMBRANE SPlice SHALL OCCUR IN UNLESS THE BRIDGE IS SUPERELEVATED. BRIDGES WITH SUPERELEVATION SHALL HAVE THE MEMBRANE PLACED AS SHOWN ON THE SUPERELEVATED DETAIL.

MEMBRANE SPlice DETAIL - NORMAL CROWN ROADWAY
NOT TO SCALE

DETAIL A

BRIDGE LENGTH AND WIDTH (CURB TO CURB)		
BRIDGE NO.	WIDTH (CURB TO CURB) (FEET)	LENGTH (FEET)
14N	30.0	243.0
14S	30.0	244.0
15N	30.0	299.0
15S	30.0	157.0
16N	30.0	354.0
16S	30.0	350.0



TYPICAL APPROACH SECTION
NOT TO SCALE

ASPHALTIC PLUG JOINT REPLACEMENT SCHEDULE

BRIDGE NO.	ABUT. 1	PIER 1	PIER 2	PIER 3	PIER 4	ABUT. 2
14N	32.0 LF	32.0 LF	32.0 LF			32.0 LF
14S	32.0 LF	32.0 LF	32.0 LF			32.0 LF
15N	42.0 LF	42.0 LF	42.0 LF	42.0 LF	42.0 LF	42.0 LF
15S	42.0 LF	42.0 LF	42.0 LF			42.0 LF
16N	30.0 LF					30.0 LF
16S	30.0 LF					30.0 LF

PROJECT NAME: PUTNEY
PROJECT NUMBER: IM 091-1(60)

FILE NAME: ...drawing\z05a288bitconc.dgn PLOT DATE: 7/30/2010
PROJECT LEADER: G. BOGUE DRAWN BY: J. SOTER
DESIGNED BY: T. KNIGHT CHECKED BY: G. GOYETTE
BITUMINOUS CONCRETE DETAILS 1 SHEET 8 OF 45

