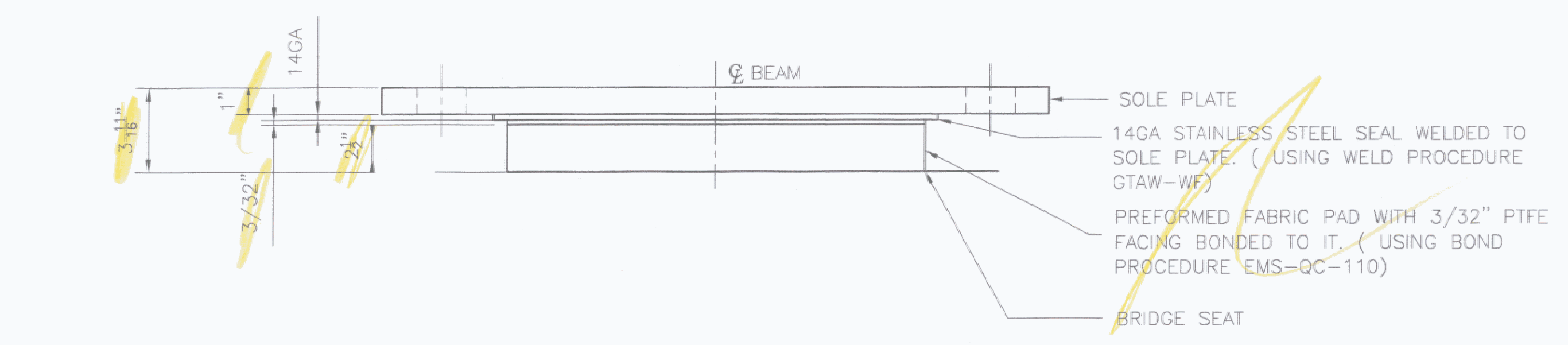


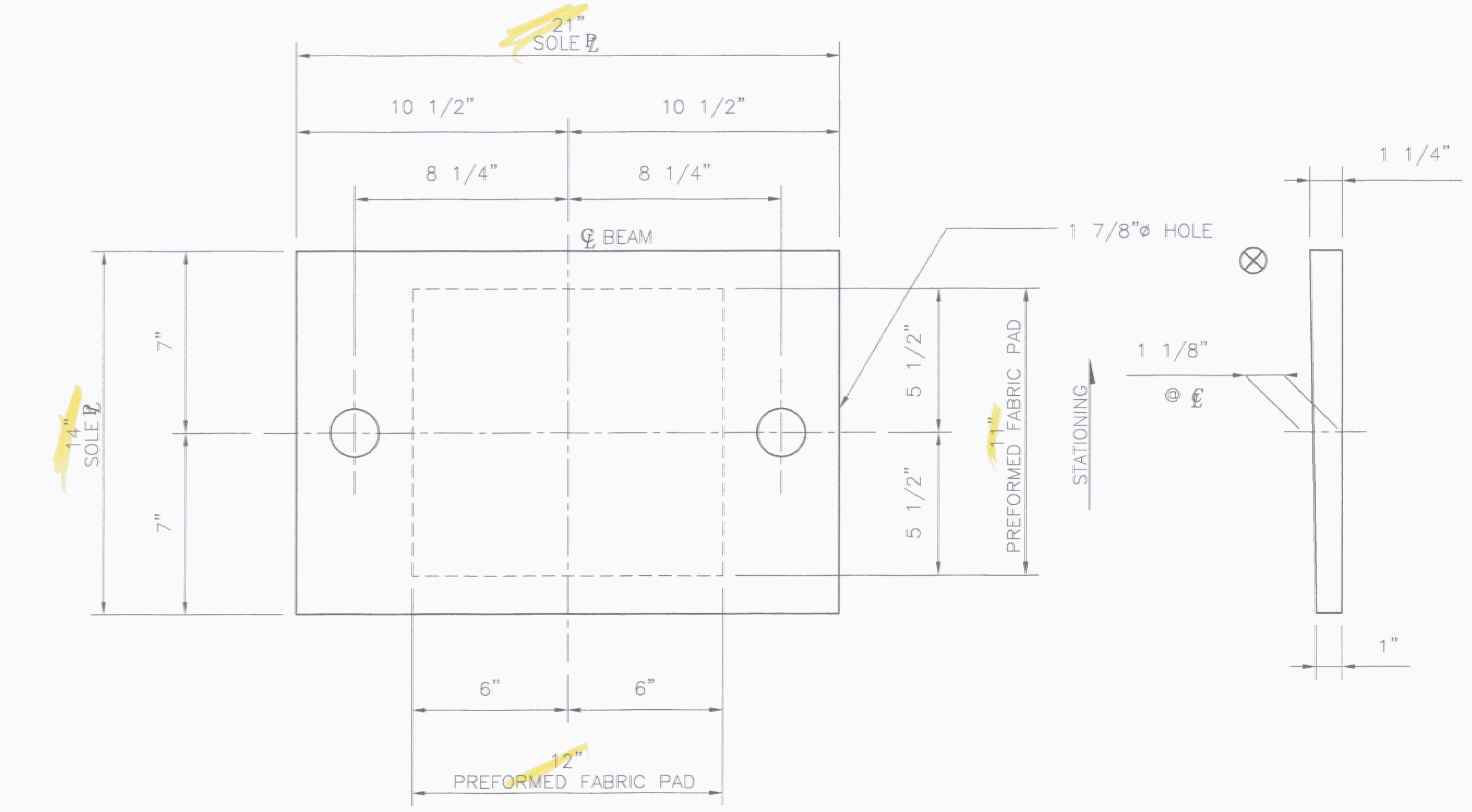
PLAN



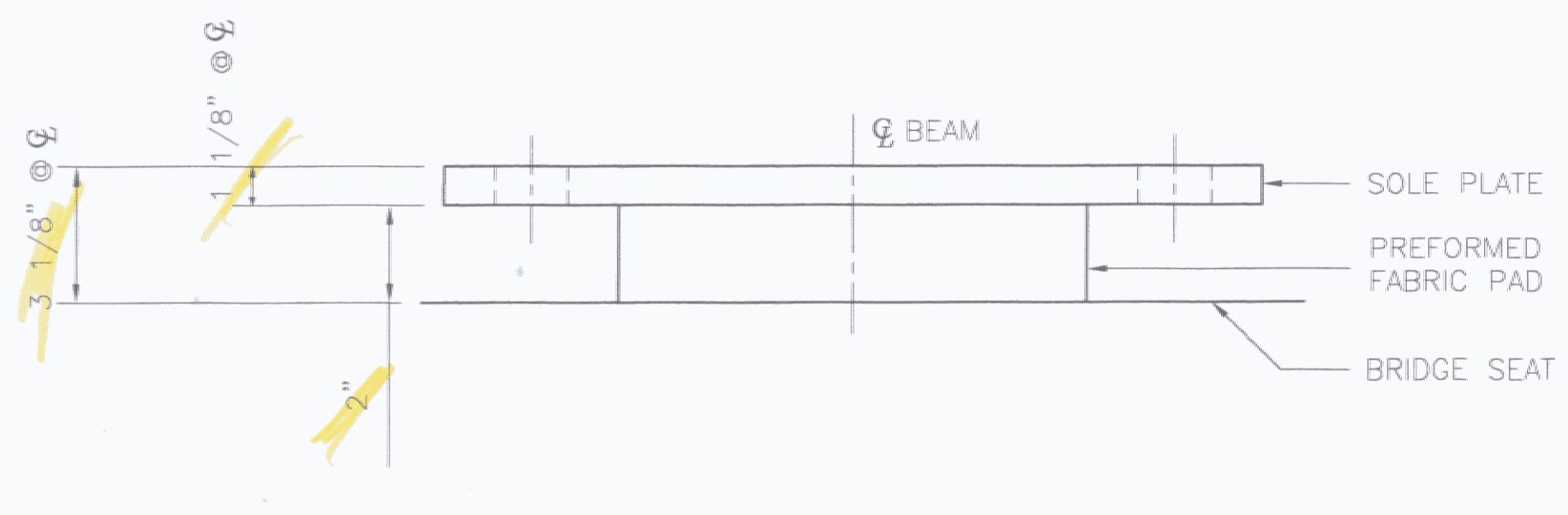
FRONT ELEVATION

COSMEC EXPANSION FABRIC BEARING

QTY. - 2
LOCATION - BRG. MARK R7, NB PIER 4 SPAN 2



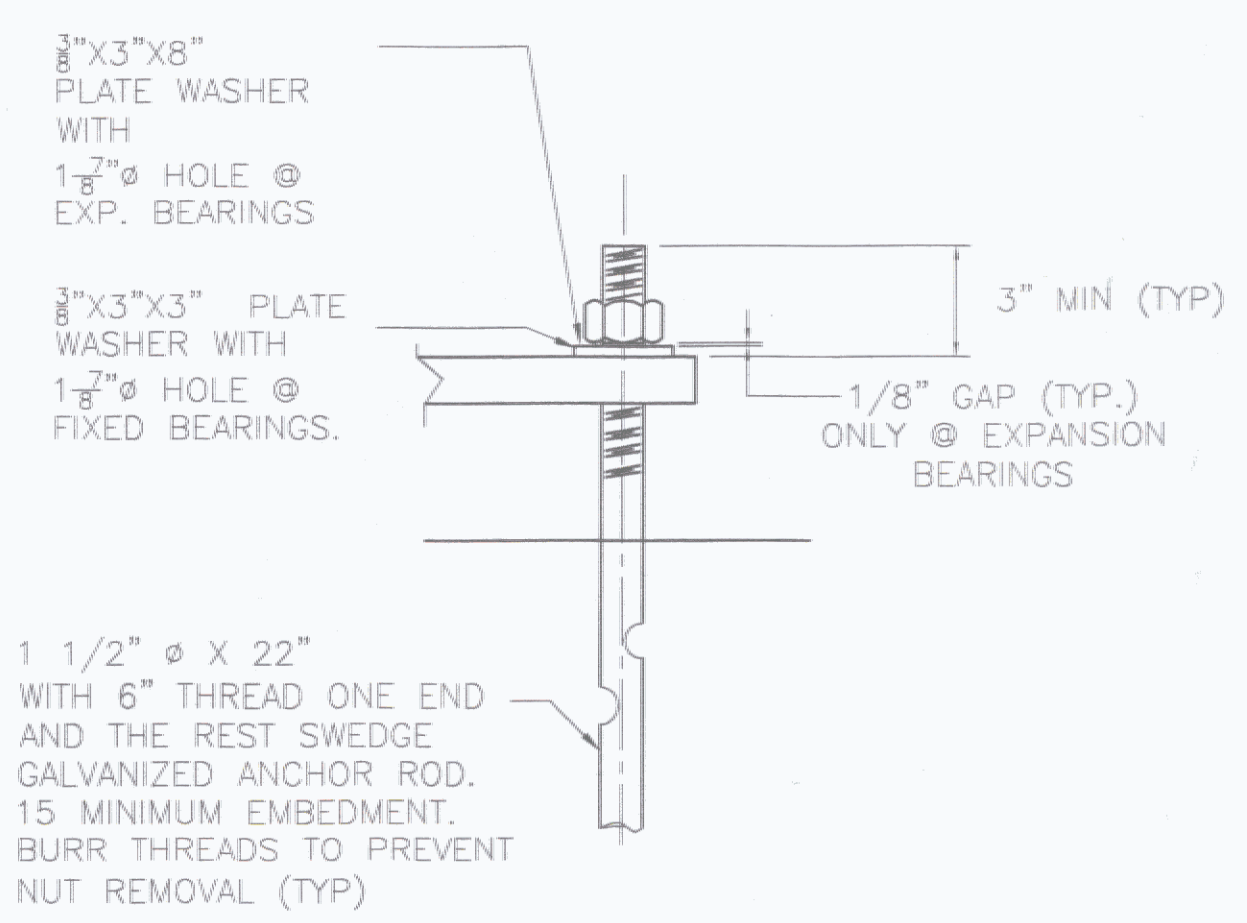
PLAN



FRONT ELEVATION

COSMEC FIXED FABRIC BEARING

QTY. - 2
LOCATION - BRG. MARK R8, NB PIER 4 SPAN 3



ANCHOR BOLT DETAIL

BEARING NOTES:

- ALL THE ANCHOR BOLTS, NUTS AND WASHERS SHALL BE GALVANIZED.
- LOCATION OF FABRICATION - 70 SOUTH STREET WALPOLE, MA 02081
- COSMEC, INC. REPRESENTATIVE: MR. MATT McANDREWS (508-668-6600)
- ⊗ MARKS THE THICK END OF SOLE PLATE.

MATERIALS:

STEEL - AASHTO M-270 GR 36 ZINC METALLIZED
 PREFORMED FABRIC PAD - MIL-C-882.C, AASHTO 18.4.9.1 DIV.II
 ANCHOR BOLTS - F1554 GR 55 GALVANIZED

RECEIVED
 CK'D BY: *AWA* CK'D BY: *MAE*
 JUL 27 2006
 RESUBMIT: _____ APPROVED: *[Signature]*
 BY: _____ DATE: 8/1/06

STATE OF VERMONT AGENCY OF TRANSPORTATION			
BRIDGE REHABILITATION TOWN OF RICHMOND COUNTY OF CHITTENDEN ROUTE NO.: INTERSTATE 89, BRIDGE 56 N&S PROJECT NO.: IM 089-2(38)			
COSMEC, INC.		70 SOUTH STREET WALPOLE, MA. 02081	
SCALE: 1/4"=1"	DRAWN BY: MAE	CHECKED BY: MRR	
DATE: 6/5/06	DATE: 7/18/06		
COSMEC BEARINGS			
CUSTOMER: F.W. WHITCOMB CONSTR.	S.D. NUMBER: 60619	DRAWING NUMBER: 4849	REV.

REV.		BY:	DATE:	CK'D BY:	DATE: