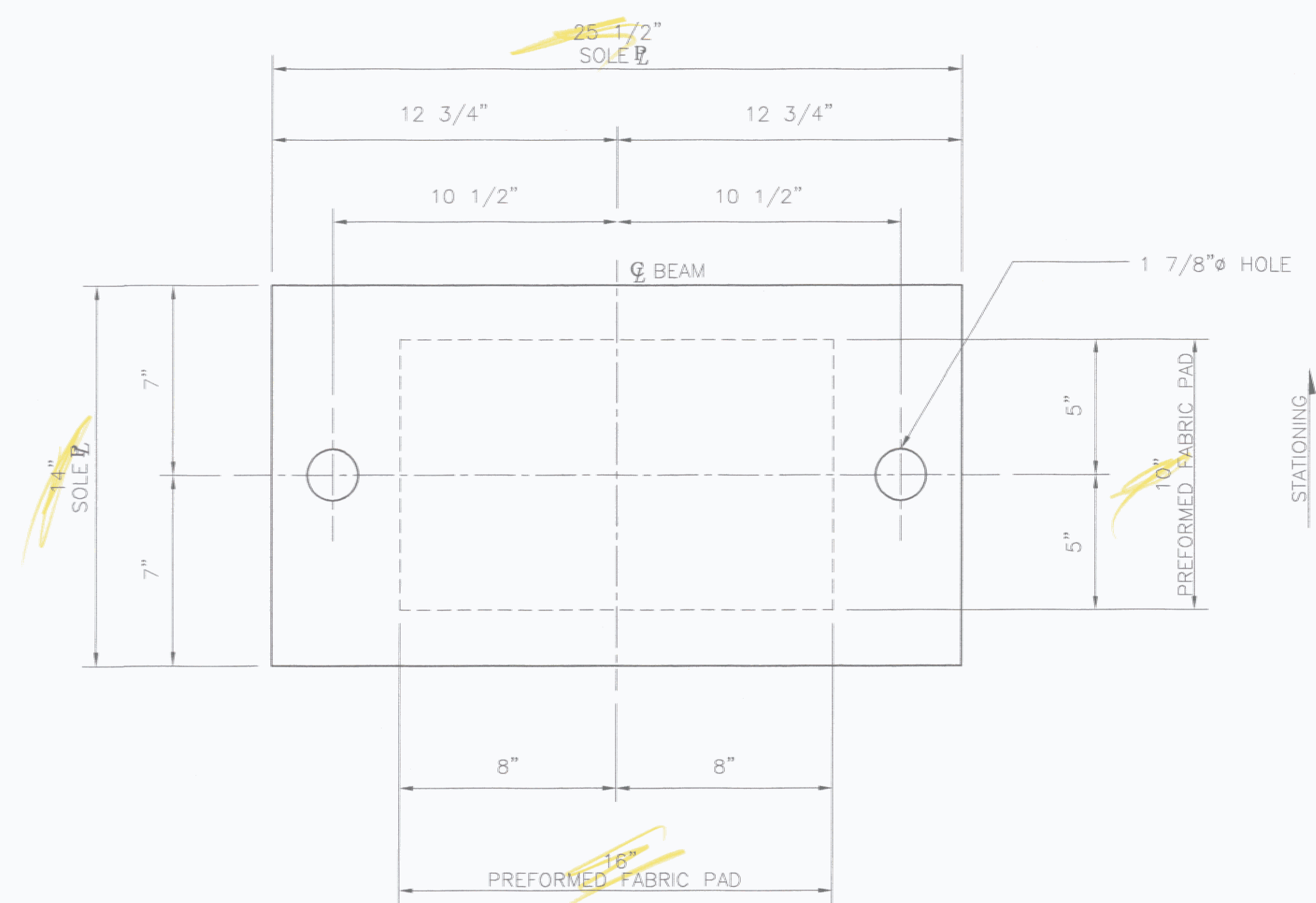
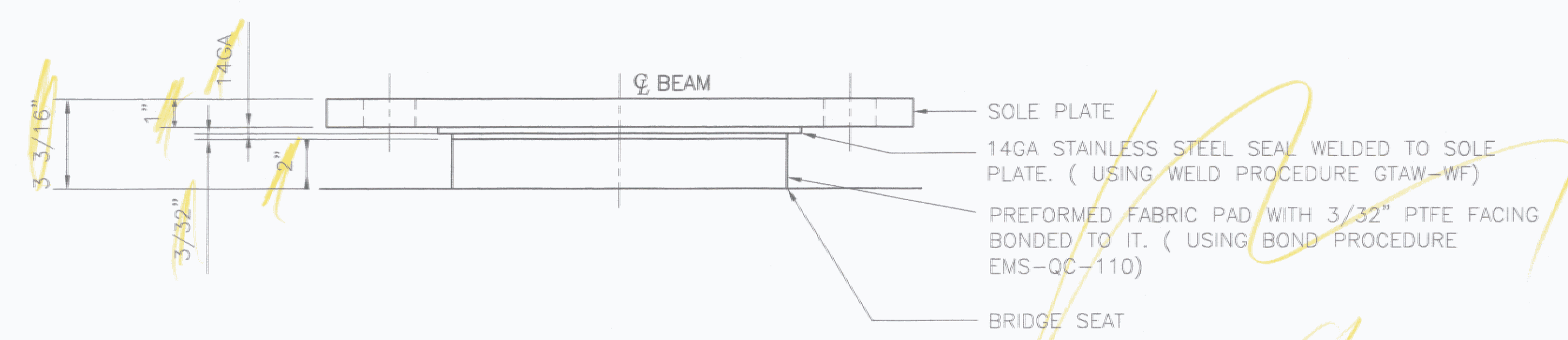


PLAN



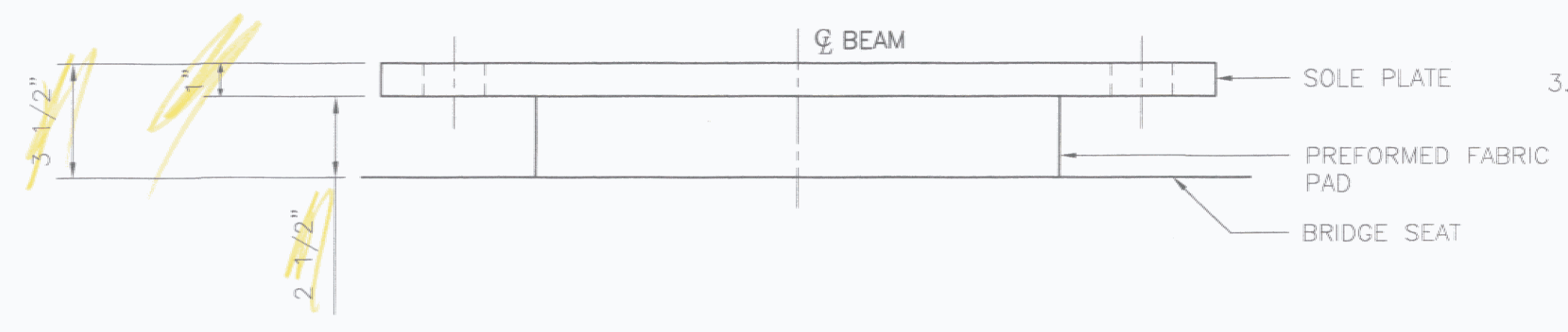
PLAN



FRONT ELEVATION

COSMEC EXPANSION FABRIC BEARING

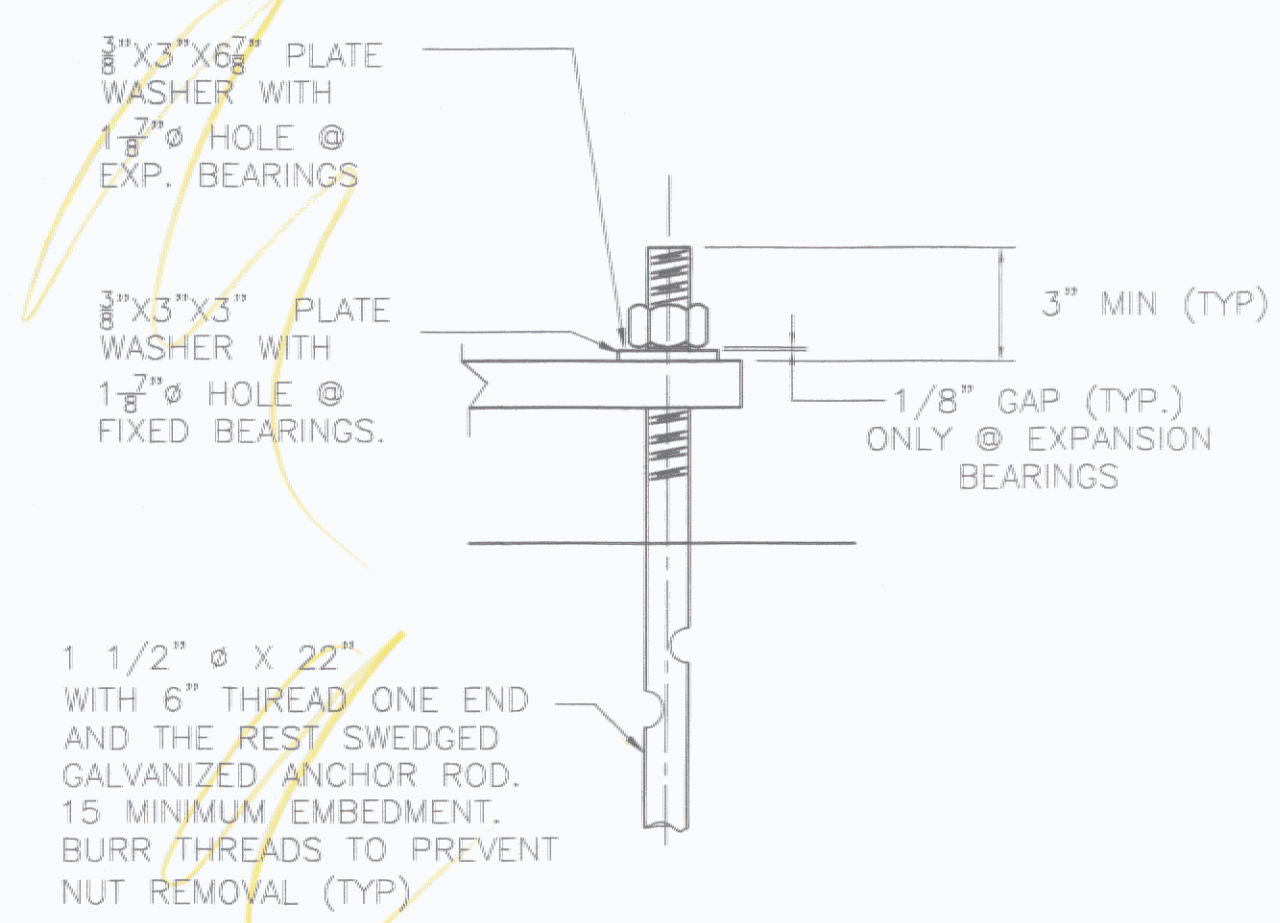
QTY. -  
LOCATION - BRG. MARK R5, NB PIER 3 SPAN 1



FRONT ELEVATION

COSMEC FIXED FABRIC BEARING

QTY. -  
LOCATION - BRG. MARK R6, NB PIER 3 SPAN 2



ANCHOR BOLT DETAIL

BEARING NOTES:

1. ALL THE ANCHOR BOLTS, NUTS AND WASHERS SHALL BE GALVANIZED.
2. LOCATION OF FABRICATION - 70 SOUTH STREET WALPOLE, MA 02081
3. COSMEC, INC. REPRESENTATIVE: MR. MATT McANDREWS (508-668-6600)

MATERIALS:

STEEL - AASHTO M-270 GR 36 ZINC METALLIZED  
 PREFORMED FABRIC PAD - MIL-C-882.C, AASHTO 18.4.9.1 DIV.II  
 ANCHOR BOLTS - F1554 GR 55 GALVANIZED

STATE OF VERMONT  
 AGENCY OF TRANSPORTATION

BRIDGE REHABILITATION  
 TOWN OF RICHMOND  
 COUNTY OF CHITTENDEN  
 ROUTE NO.:  
 INTERSTATE 89, BRIDGE 56 N&S  
 PROJECT NO.: IM 089-2(38)

COSMEC, INC.		70 SOUTH STREET WALPOLE, MA 02081	
SCALE: 1/4"=1"	DRAWN BY: MAE	CHECKED BY: MRR	
	DATE: 6/5/06	DATE: 7/19/06	
COSMEC BEARINGS			
CUSTOMER F.W. WHITCOMB CONSTR.	S.O. NUMBER 60619	DRAWING NUMBER 4848	REV.

RECEIVED  
 CKD BY: *AWA* CKD BY: \_\_\_\_\_  
 JUL 27 2006  
 RESUBMIT \_\_\_\_\_ APPROVED ✓  
 BY \_\_\_\_\_ DATE 8/1/06

REV.	BY	DATE	CKD BY	DATE