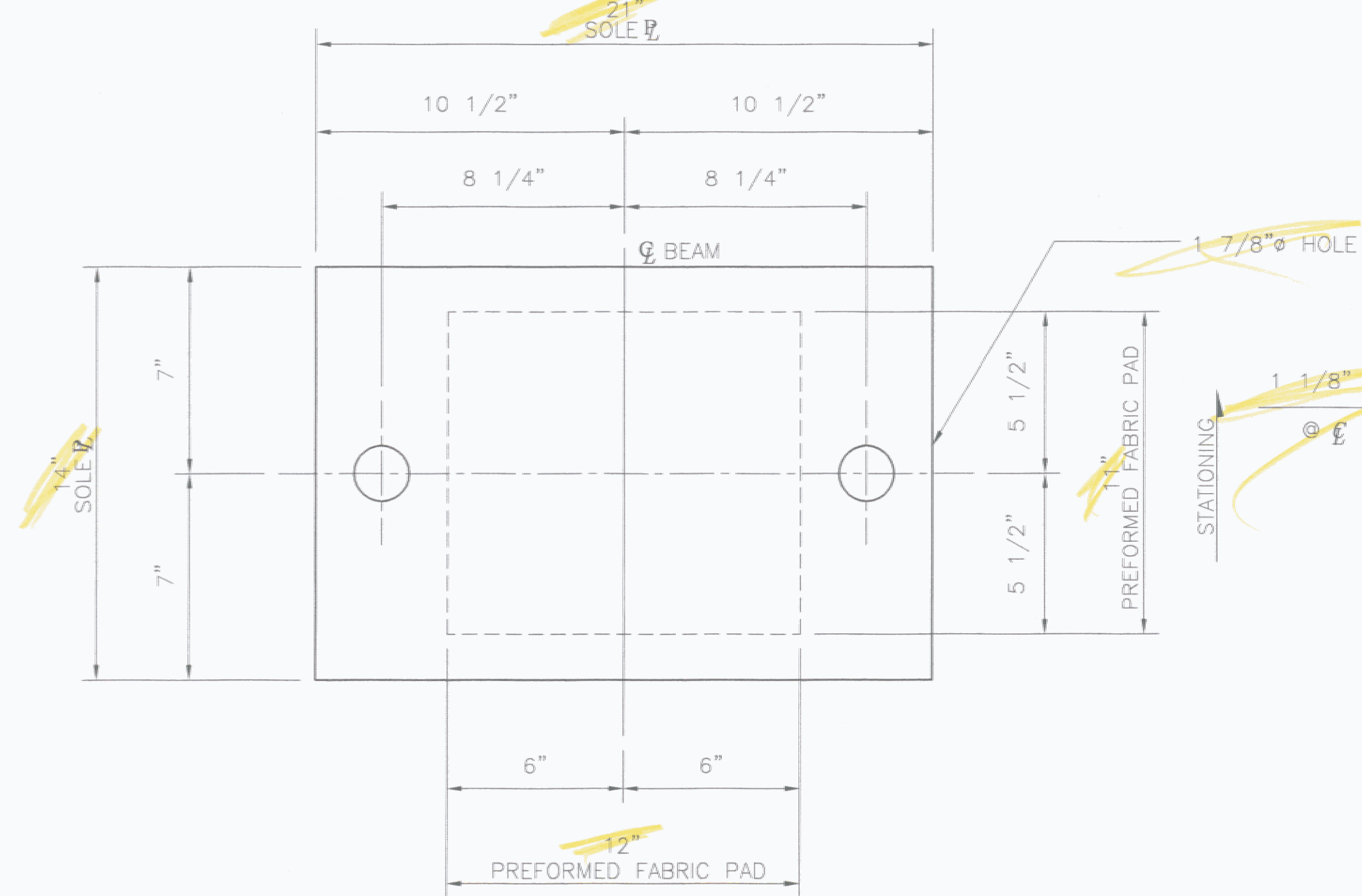
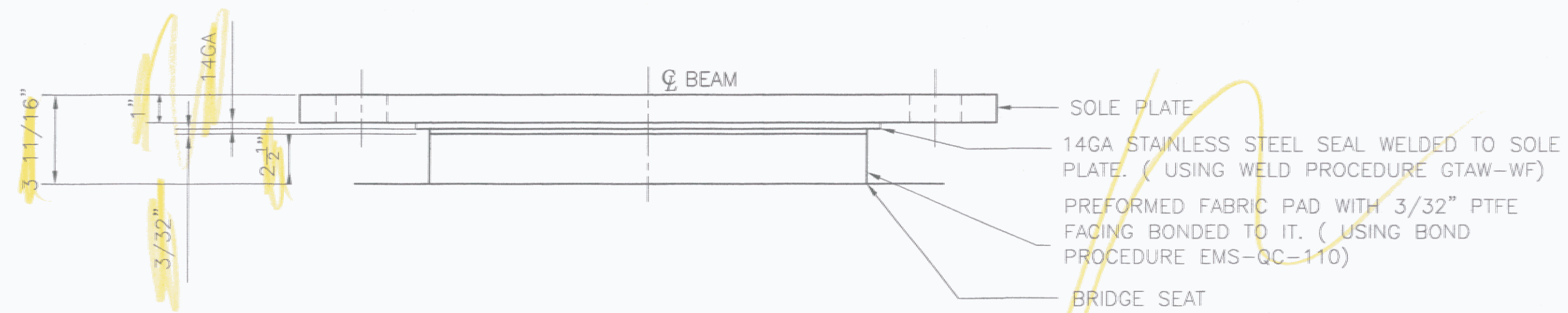


PLAN



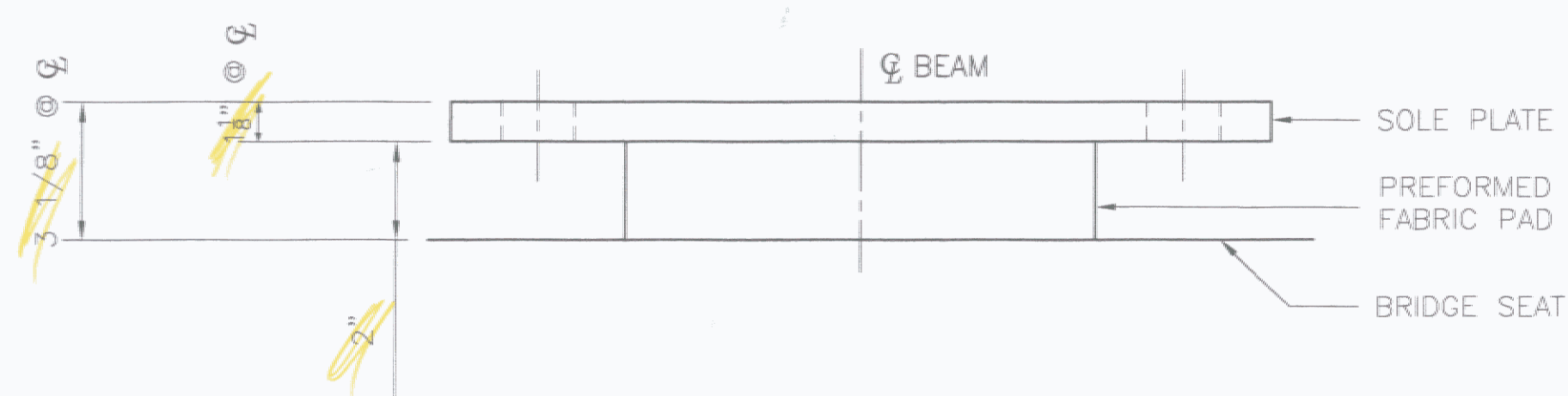
PLAN



FRONT ELEVATION

COSMEC EXPANSION FABRIC BEARING

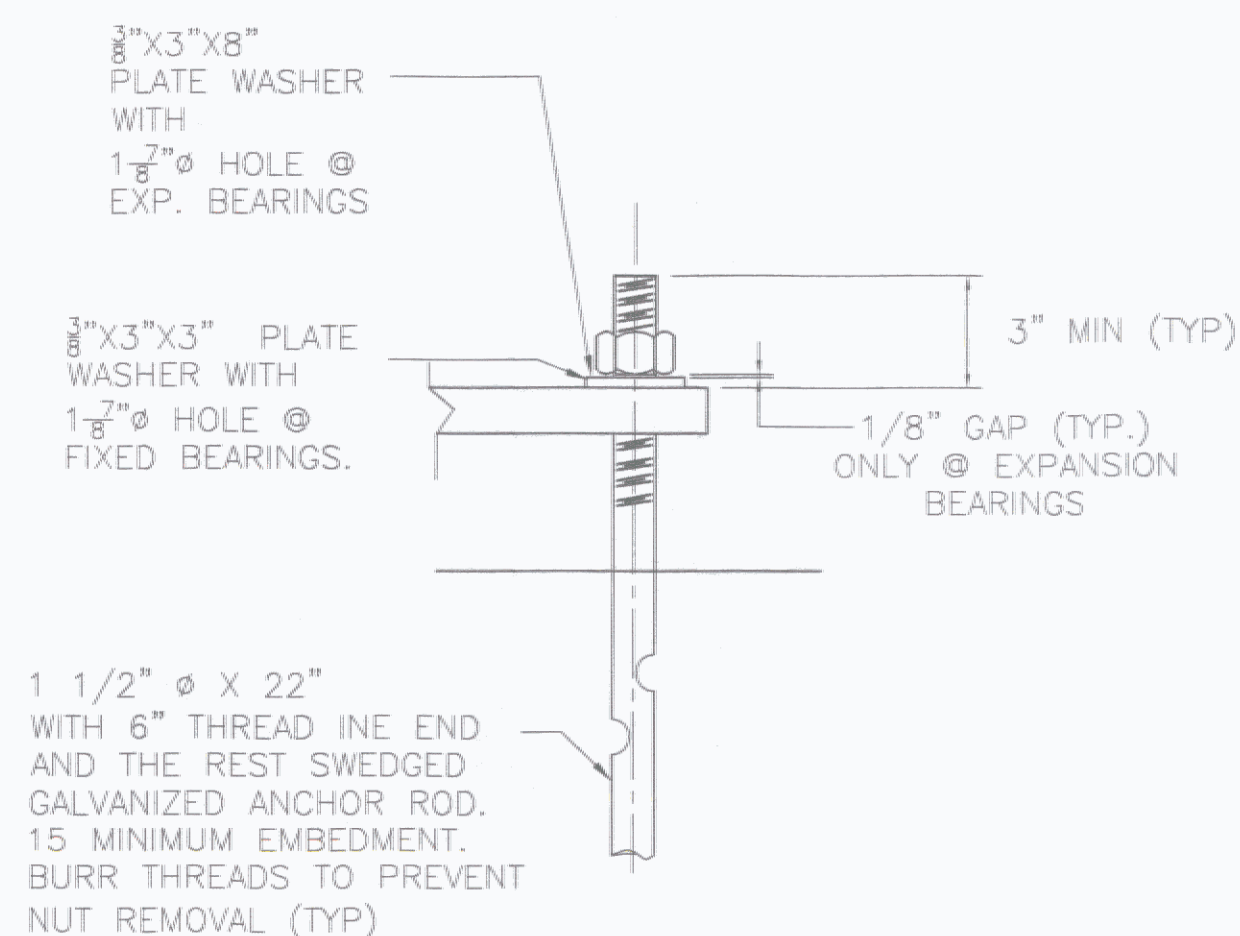
QTY. - 5
LOCATION - BRG. MARK R3, SB PIER 2 SPAN 2



FRONT ELEVATION

COSMEC FIXED FABRIC BEARING

QTY. - 5
LOCATION - BRG. MARK R4, SB PIER 2 SPAN 3



ANCHOR BOLT DETAIL

BEARING NOTES:

1. ALL THE ANCHOR BOLTS, NUTS AND WASHERS SHALL BE GALVANIZED.
2. LOCATION OF FABRICATION - 70 SOUTH STREET WALPOLE, MA 02081
3. COSMEC, INC. REPRESENTATIVE: MR. MATT McANDREWS (508-668-6600)
4. ⊗ MARKS THE THICK END OF SOLE PLATE.

MATERIALS:

STEEL - AASHTO M-270 GR 36 ZINC METALLIZED
 PREFORMED FABRIC PAD - MIL-C-882.C, AASHTO 18.4.9.1 DIV. II
 ANCHOR BOLTS - F1554 GR 55 GALVANIZED

| | | | |
|--|----------------------|---------------------------------------|------|
| STATE OF VERMONT AGENCY OF TRANSPORTATION | | | |
| BRIDGE REHABILITATION TOWN OF RICHMOND COUNTY OF CHITTENDEN ROUTE NO.: INTERSTATE 89, BRIDGE 56 N&S PROJECT NO.: IM 089-2(38) | | | |
| COSMEC, INC. | | 70 SOUTH STREET WALPOLE, MA. 02081 | |
| SCALE: 1/4"=1" | DRAWN BY: MAE | CHECKED BY: MRR | |
| | DATE: 6/5/06 | DATE: 7/18/06 | |
| COSMEC BEARINGS | | | |
| CUSTOMER F.W. WHITCOMB CONSTR. | S.O. NUMBER 60619 | DRAWING NUMBER 4847 | REV. |

RECEIVED
 CK'D BY: *AWD* OK'D BY:
 JUL 27 2006
 RESUBMIT APPROVED
 BY: DATE: 8/1/06

| REV. | DATE | BY | DATE | CK'D BY | DATE |
|------|------|----|------|---------|------|
| | | | | | |