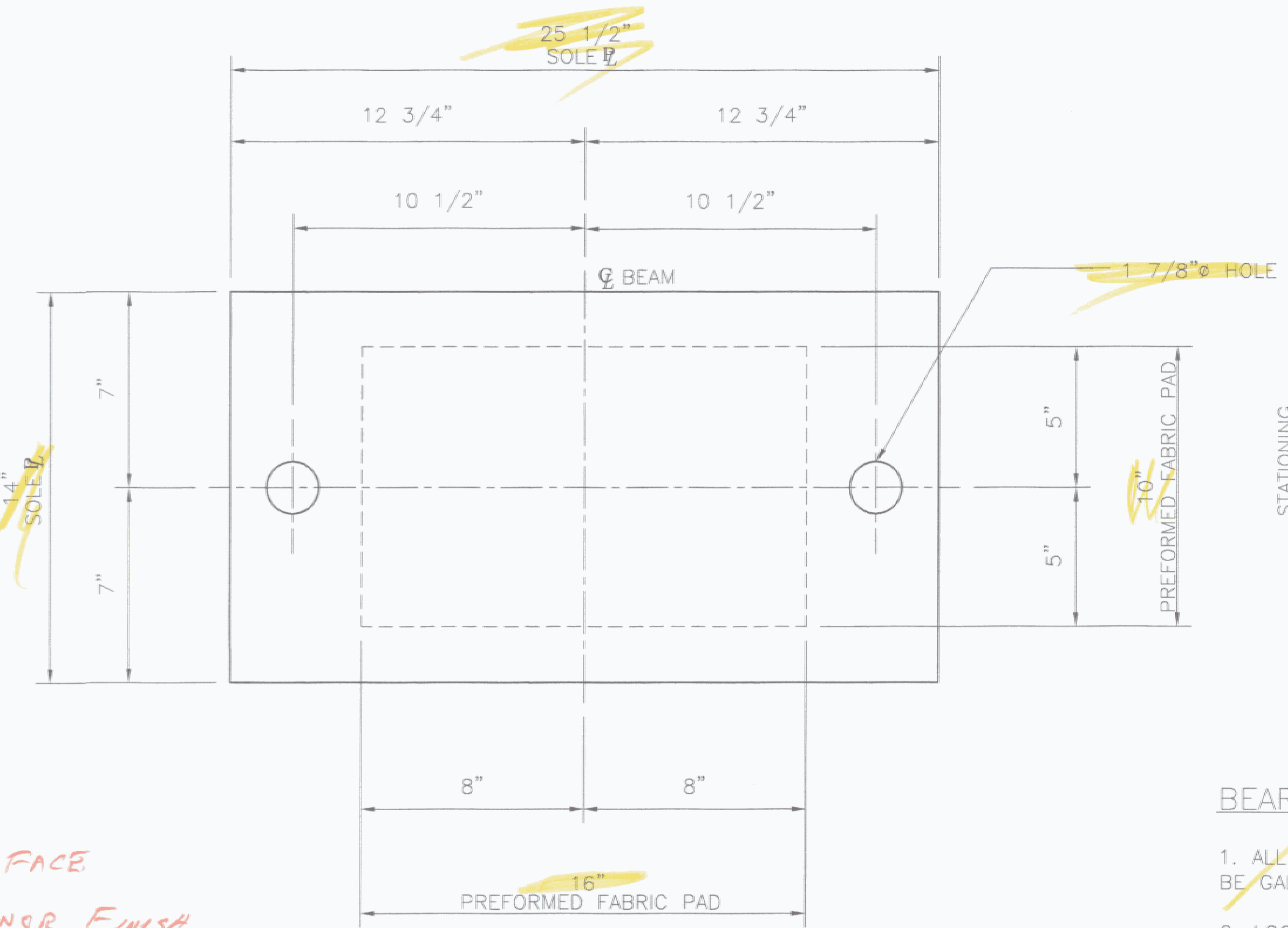


PLAN



PLAN

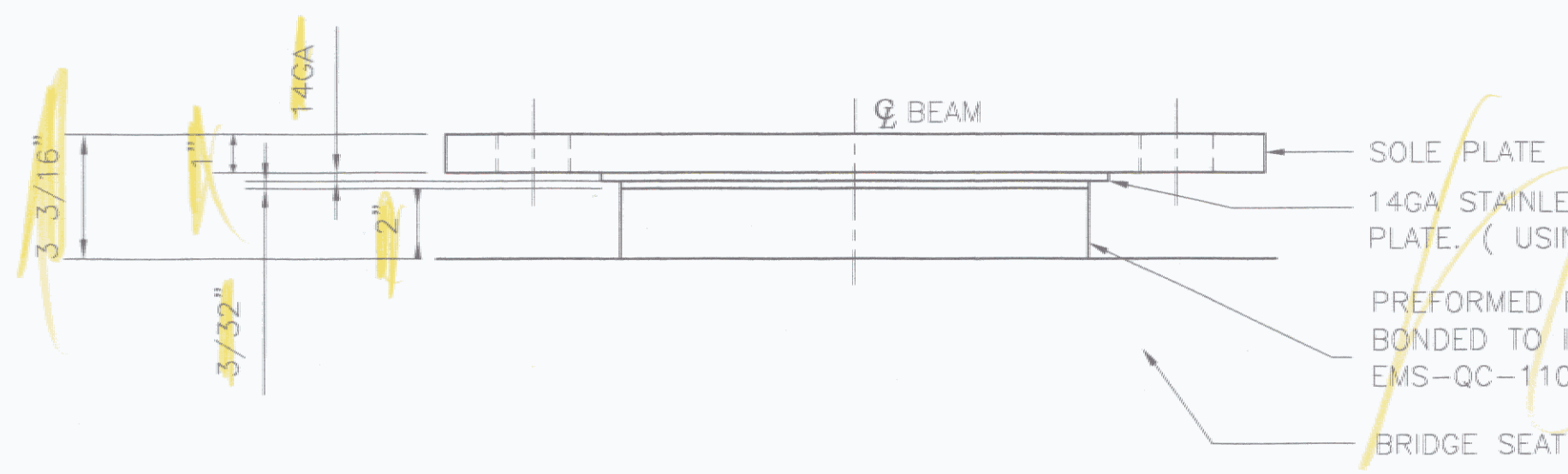
NOTE (TYP)  
 THE SURFACE FINISH ON THE CONTACT (SLIDING) FACE OF THE STAINLESS STEEL SHALL HAVE A MINOR FINISH OF LESS THAN 0.25 UM (10 MICRO INCHES) RMS (ROOT MEAN SQUARE)

BEARING NOTES:

1. ALL THE ANCHOR BOLTS, NUTS AND WASHERS SHALL BE GALVANIZED.
2. LOCATION OF FABRICATION - 70 SOUTH STREET WALPOLE, MA 02081
3. COSMEC, INC. REPRESENTATIVE: MR. MATT McANDREWS (508-668-6600)

MATERIALS:

- STEEL - AASHTO M-270 GR 36 ZINC METALLIZED
- PREFORMED FABRIC PAD - MIL-C-882.C, AASHTO 18.4.9.1 DIV.II
- ANCHOR BOLTS - F1554 GR 55 GALVANIZED



FRONT ELEVATION

COSMEC EXPANSION FABRIC BEARING

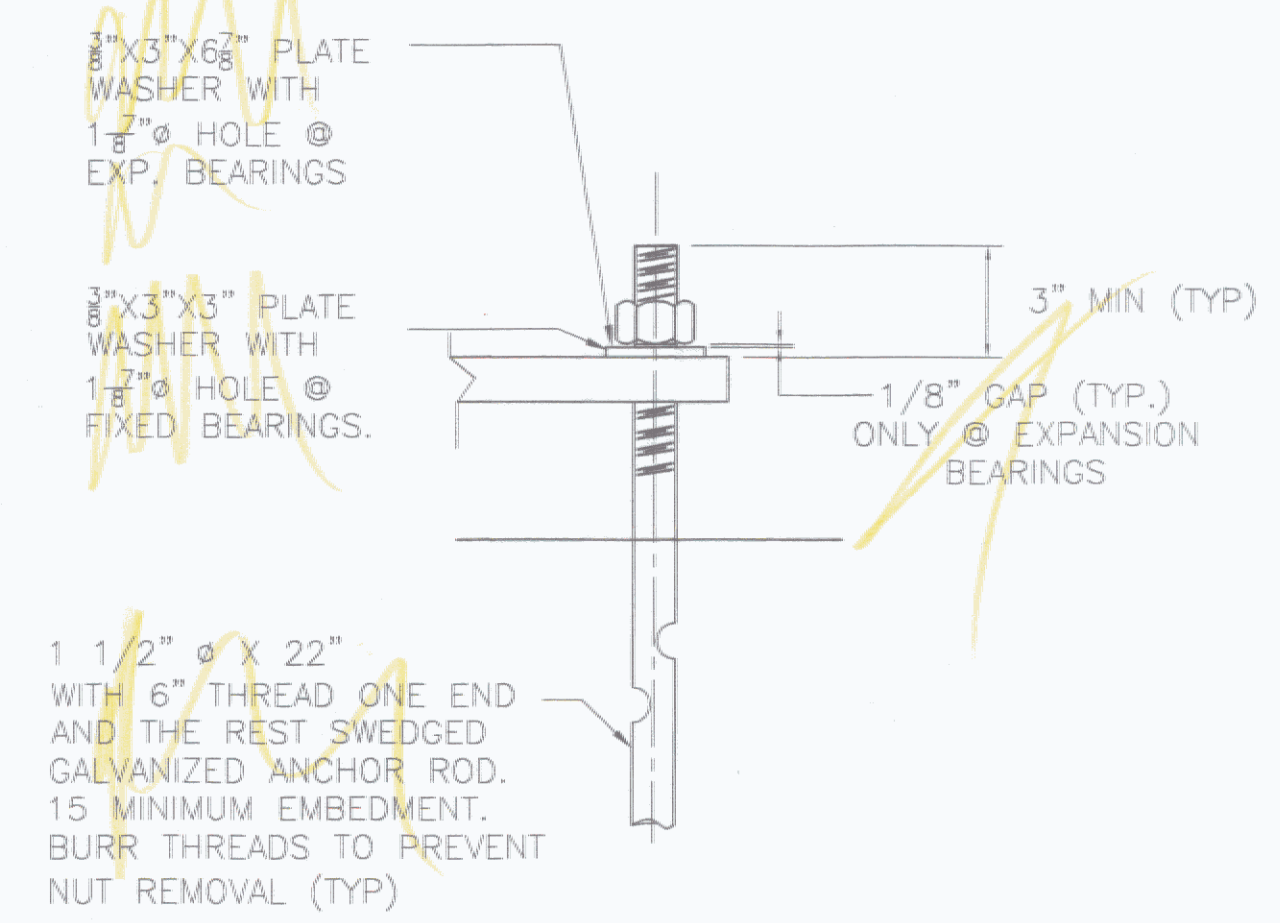
QTY. - 5  
 LOCATION - BRG. MARK R1, SB PIER 1 SPAN 1



FRONT ELEVATION

COSMEC FIXED FABRIC BEARING

QTY. - 5  
 LOCATION - BRG. MARK R2, SB PIER 1 SPAN 2



ANCHOR BOLT DETAIL

RECEIVED  
 CK'D BY: [Signature] CK'D BY: [Signature]  
 JUL 27 2006  
 RESUBMIT APPROVED AS NOTED  
 BY: [Signature] DATE: 8/1/06

STATE OF VERMONT  
 AGENCY OF TRANSPORTATION

BRIDGE REHABILITATION  
 TOWN OF RICHMOND  
 COUNTY OF CHITTENDEN  
 ROUTE NO.:  
 INTERSTATE 89, BRIDGE 56 N&S  
 PROJECT NO.: IM 089-2(38)

COSMEC, INC. 70 SOUTH STREET  
 WALPOLE, MA 02081

SCALE: 1/4"=1"	DRAWN BY: MAE	CHECKED BY: MRR
	DATE: 6/5/06	DATE: 7/17/06
COSMEC BEARINGS		
CUSTOMER: F.W. WHITCOMB CONSTR.	S.D. NUMBER: 60619	DRAWING NUMBER: 4846

REV	BY	DATE	CK'D BY	DATE