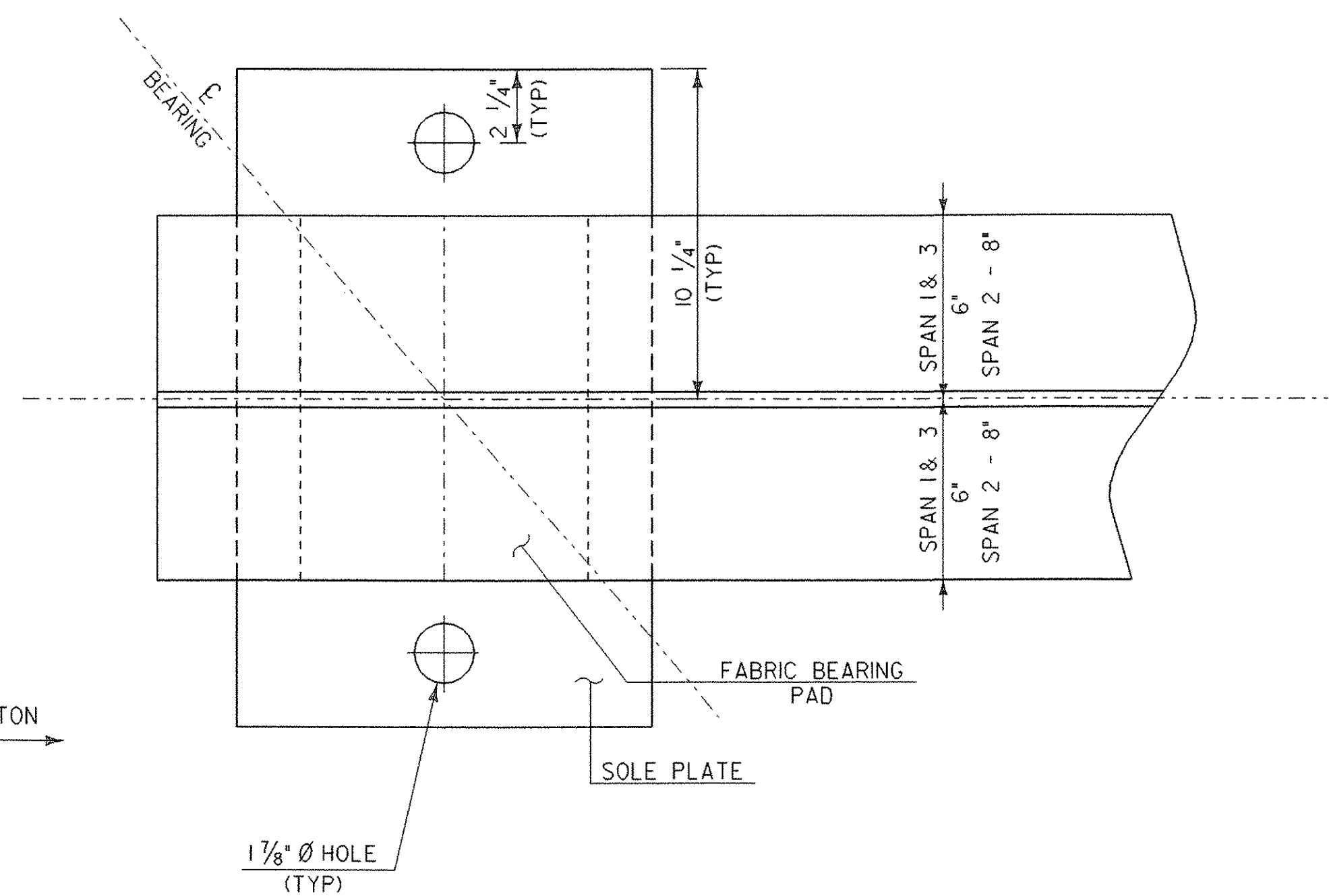
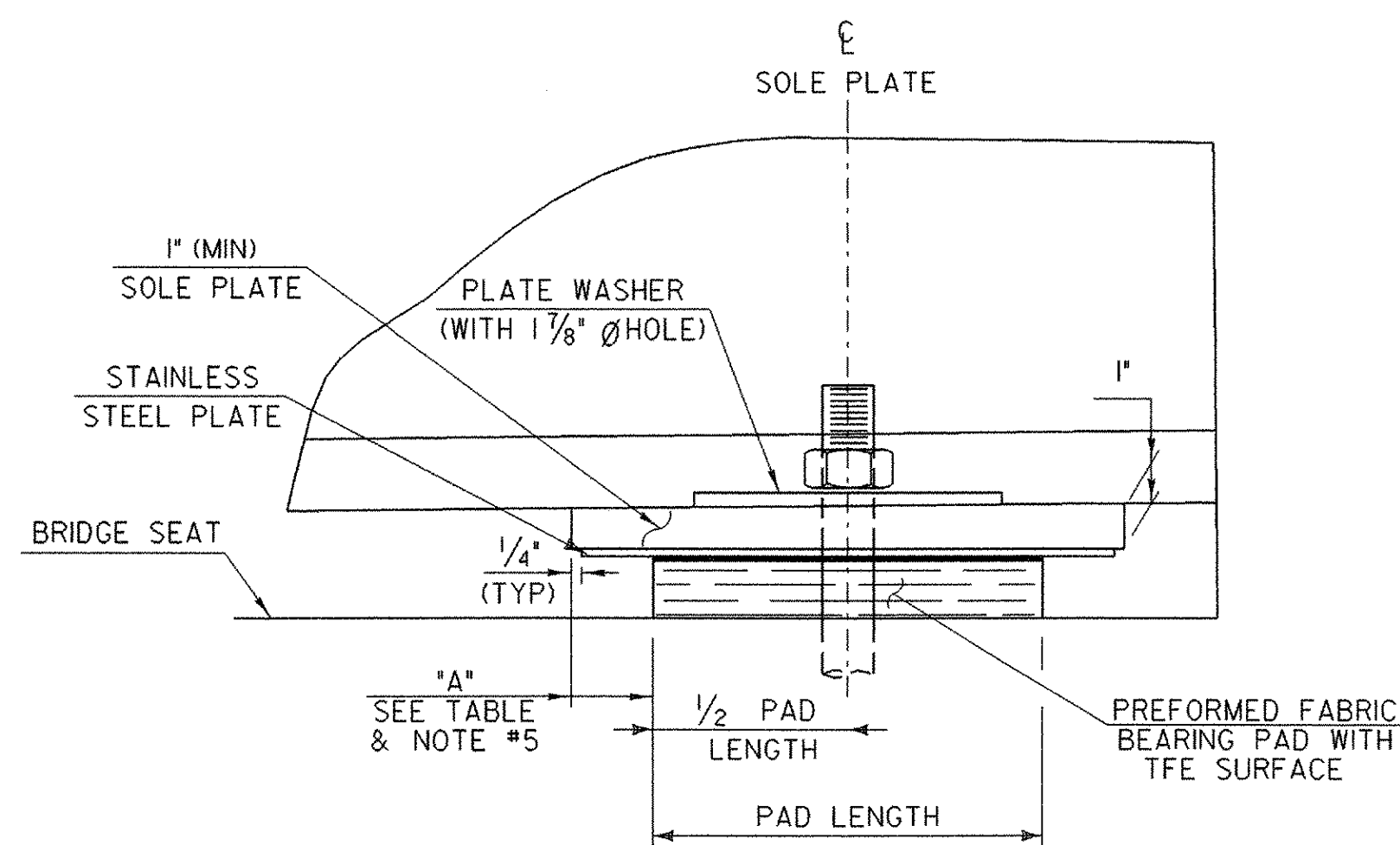


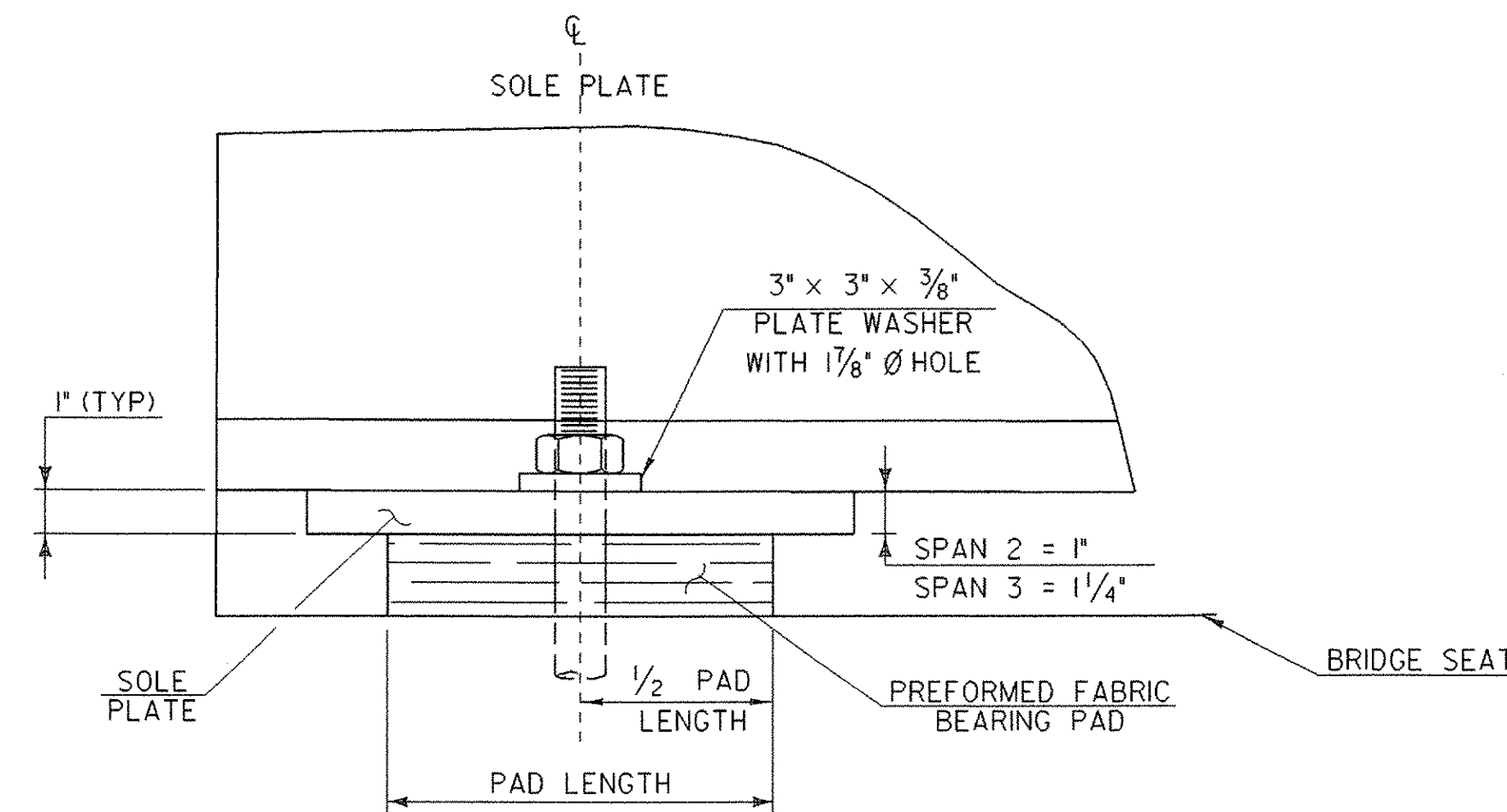
STATIONING
 TO WATERBURY
 TO BURLINGTON
PLAN
 N.T.S.



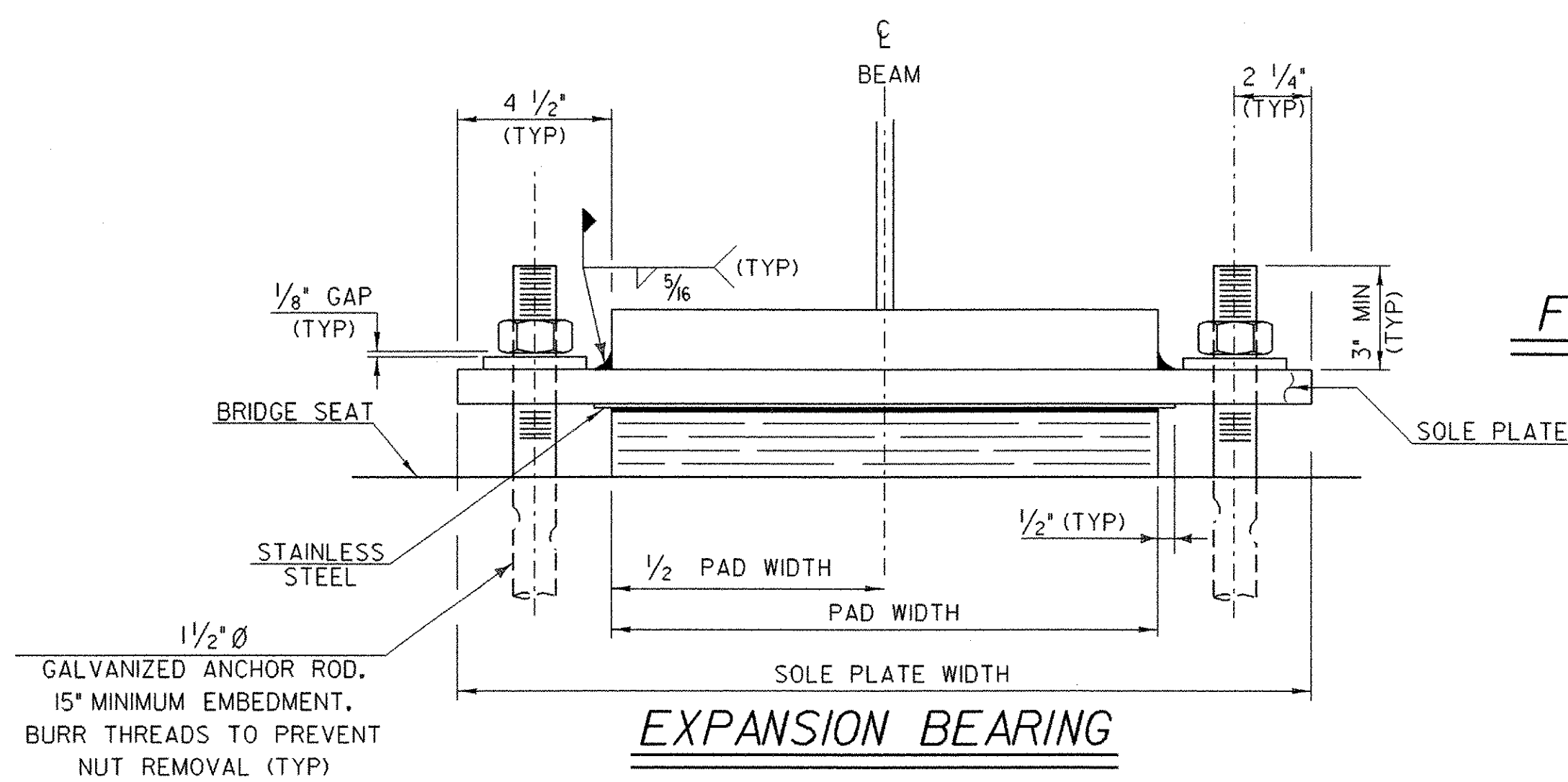
PLAN



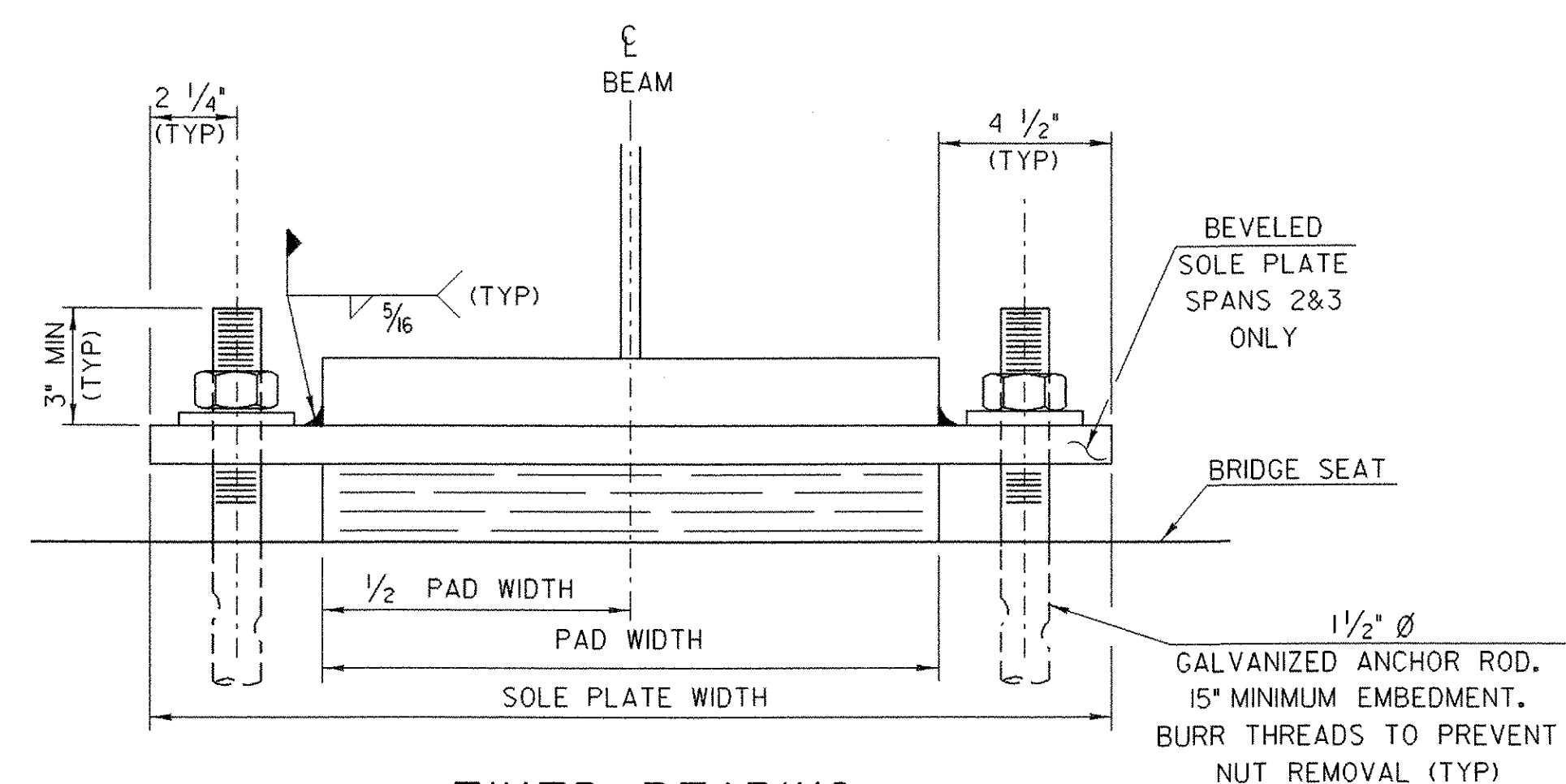
SIDE ELEVATION
 N.T.S.



NOTE: SEE SHEET 12 FOR DIMENSIONS OF NEW BEARINGS, LOAD AND TEMPERATURE TABLES, AND ADDITIONAL BEARING NOTES



FRONT VIEW
 N.T.S.



FIXED BEARING

BEARINGS SHEET 1 OF 2

PROJECT NAME: RICHMOND	PROJECT NUMBER: IM 089-2(38)
FILE NAME: 05a236\str\sa236brg.dgn	PLOT DATE: 25-APR-2006
PROJECT LEADER: SHERWARD FARNSWORTH	DRAWN BY: R. PELLETT
DESIGNED BY: G. SPILAK	CHECKED BY: S. FARNSWORTH
sa236brgl.1	SHEET 11 OF 43