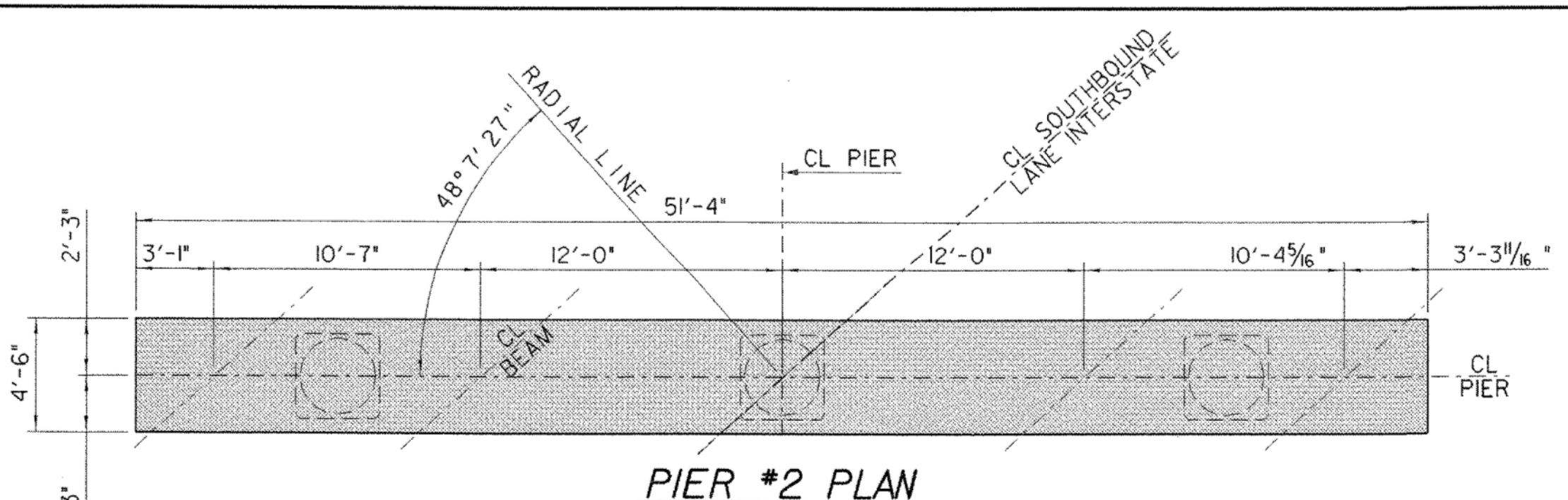
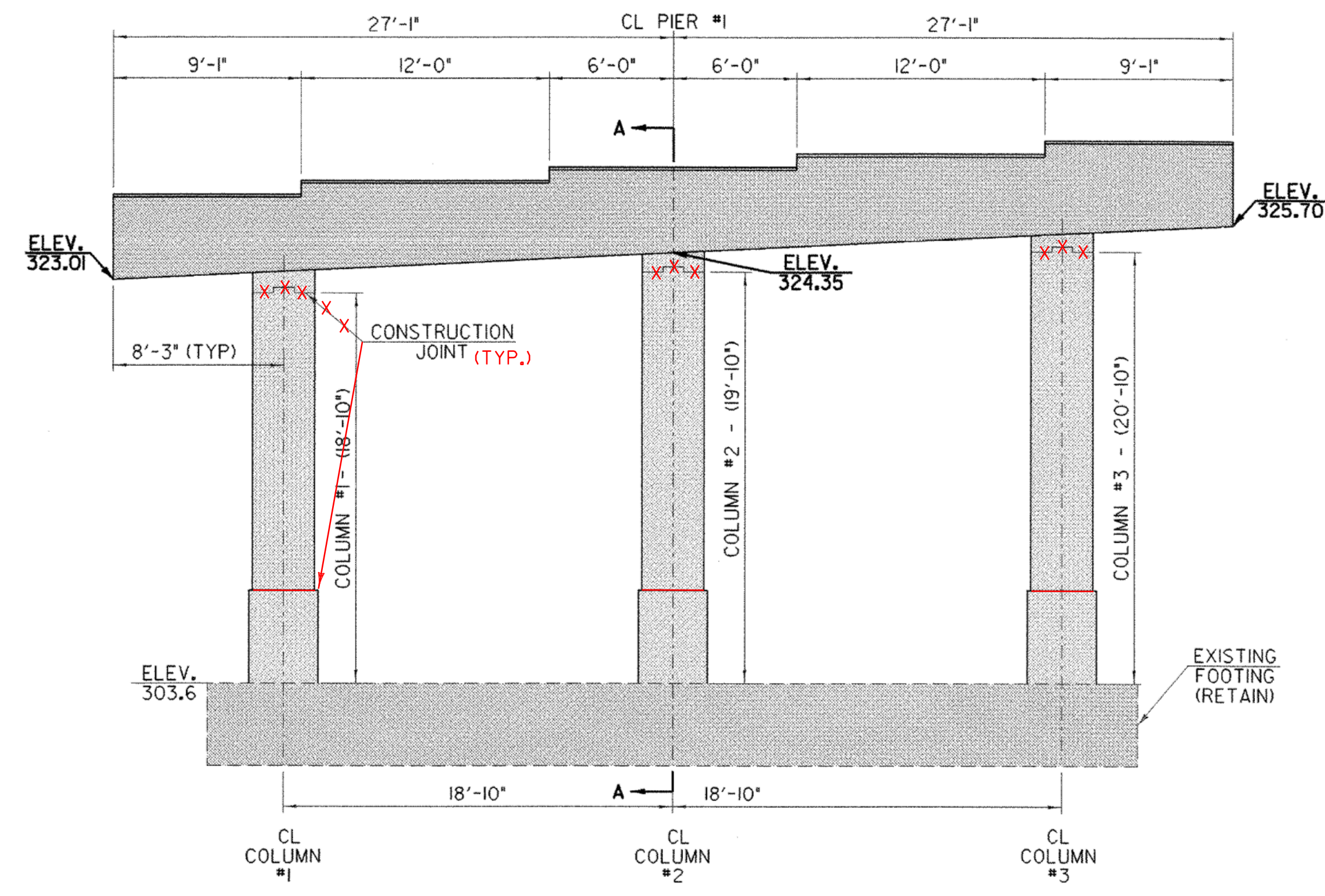


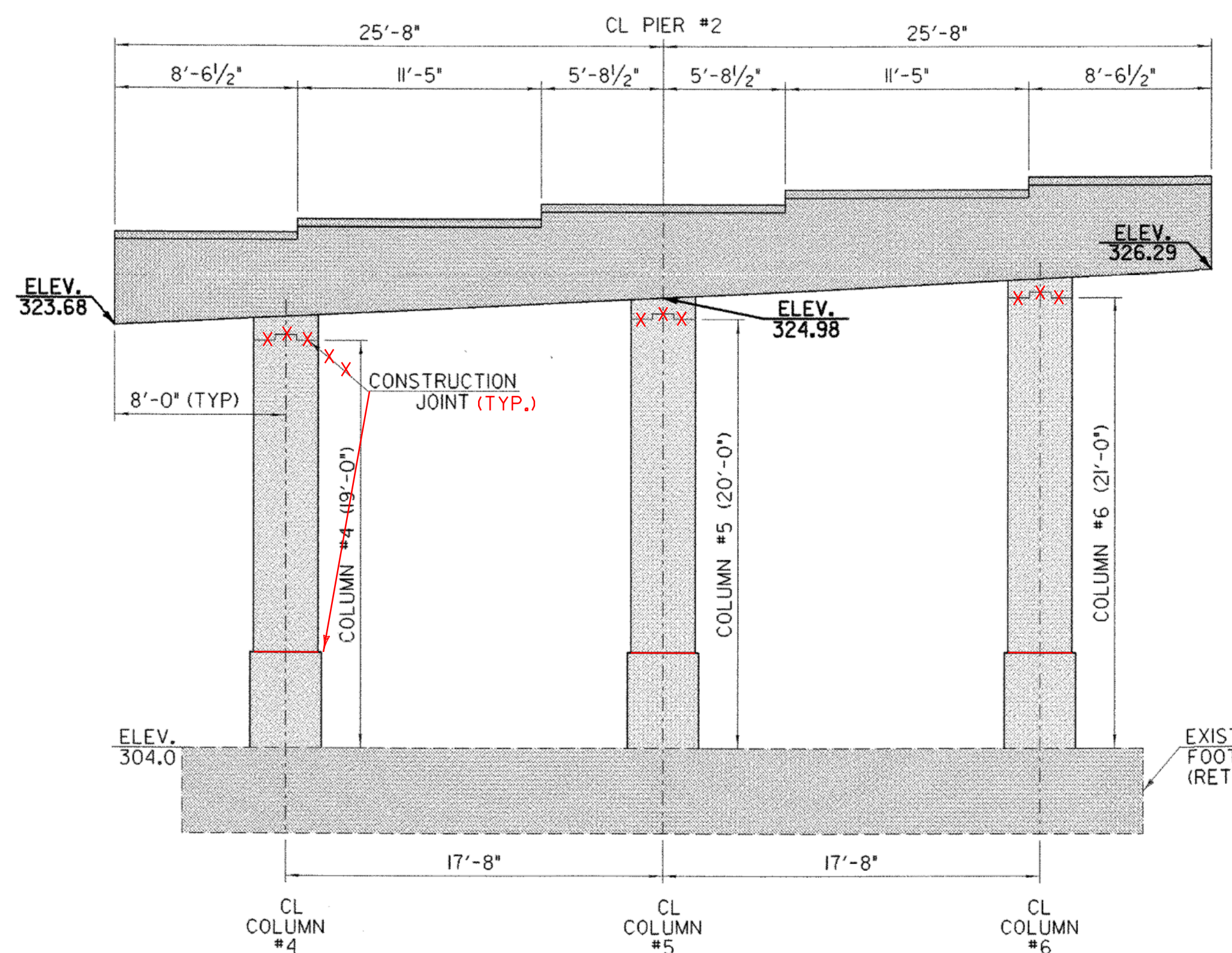
**PIER #1 PLAN**  
SCALE 3/16" = 1'-0"  
1 0 2 4 6 8



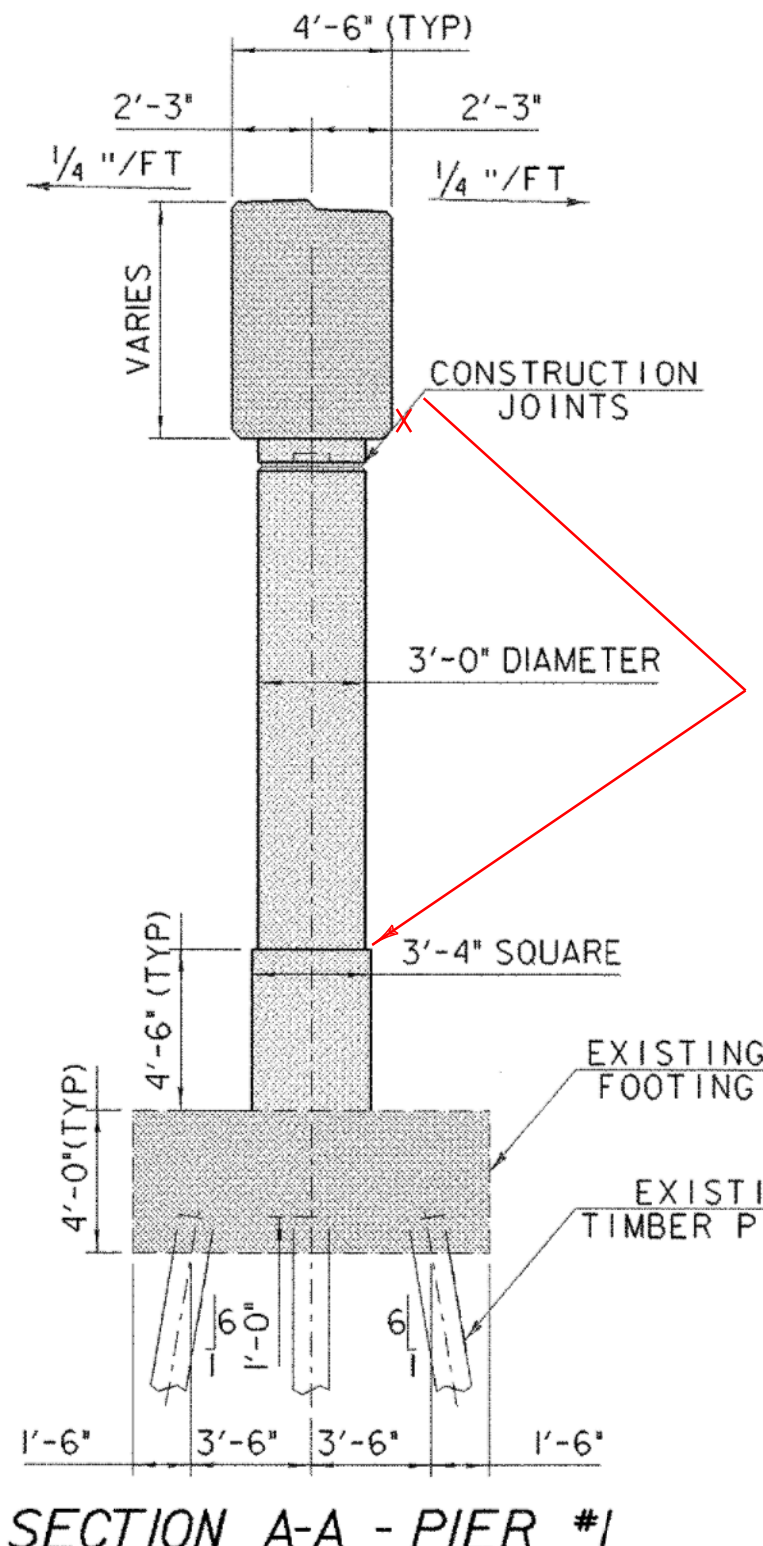
**PIER #2 PLAN**  
SCALE 3/16" = 1'-0"  
1 0 2 4 6 8



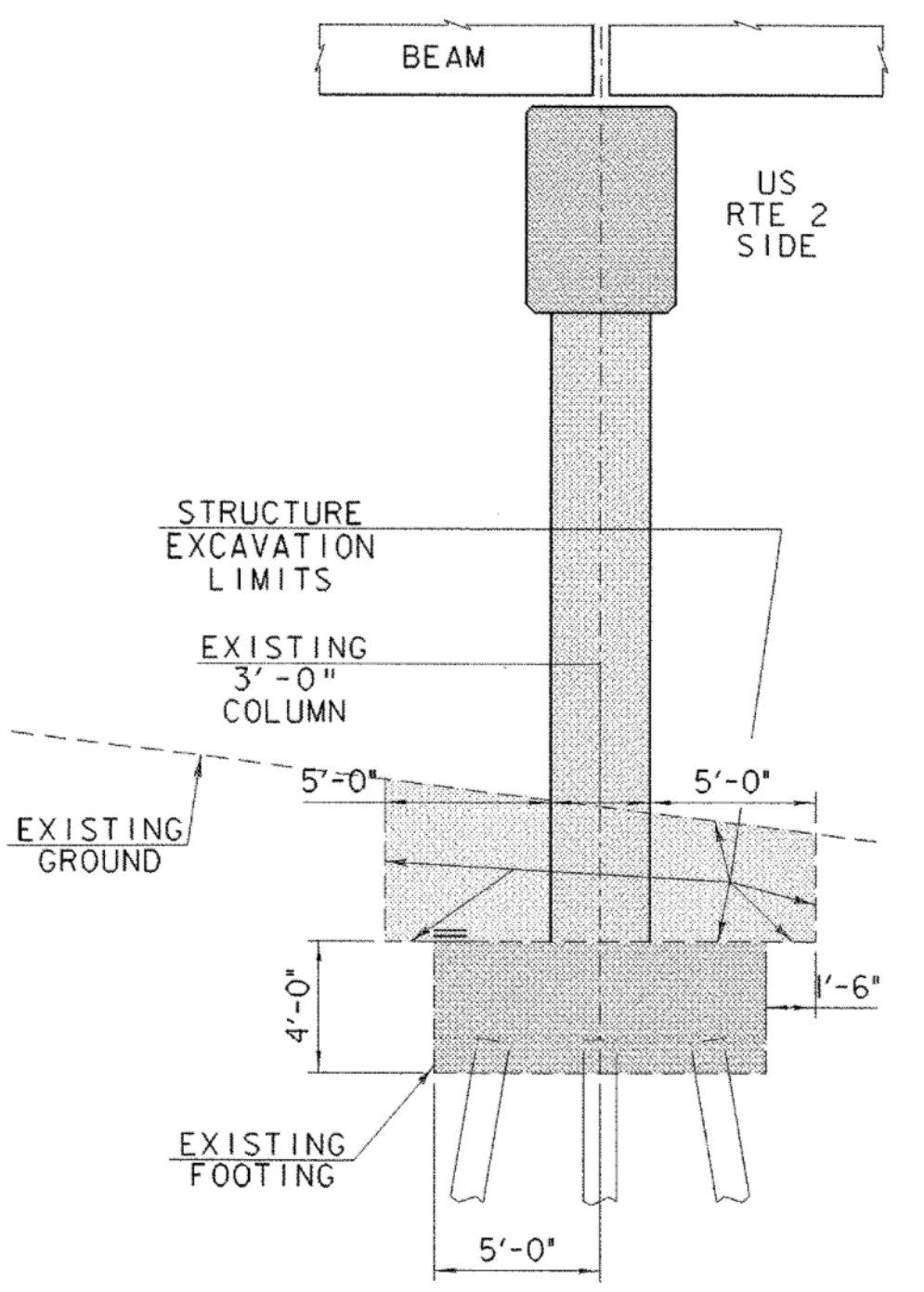
**PIER #1 ELEVATION**  
SCALE 3/16" = 1'-0"  
1 0 2 4 6 8



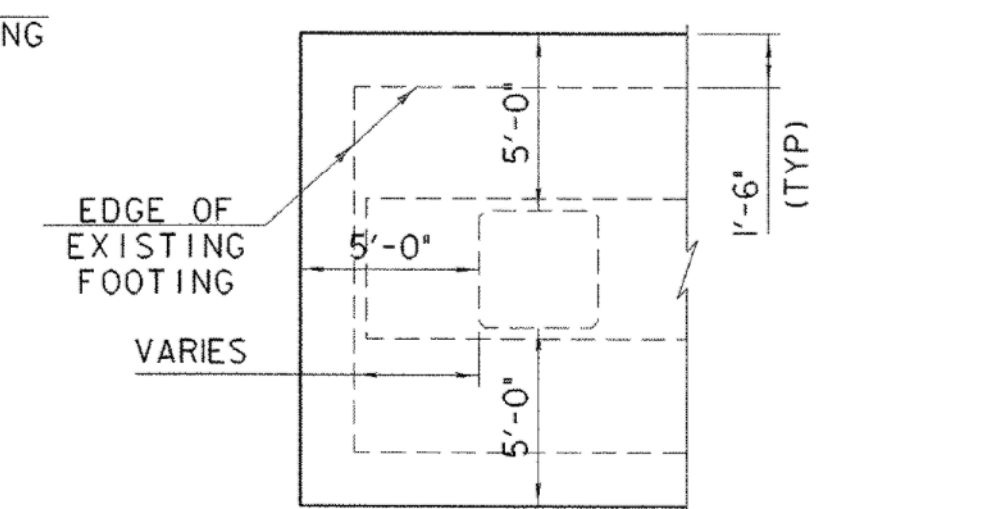
**PIER #2 ELEVATION**  
SCALE 3/16" = 1'-0"  
1 0 2 4 6 8



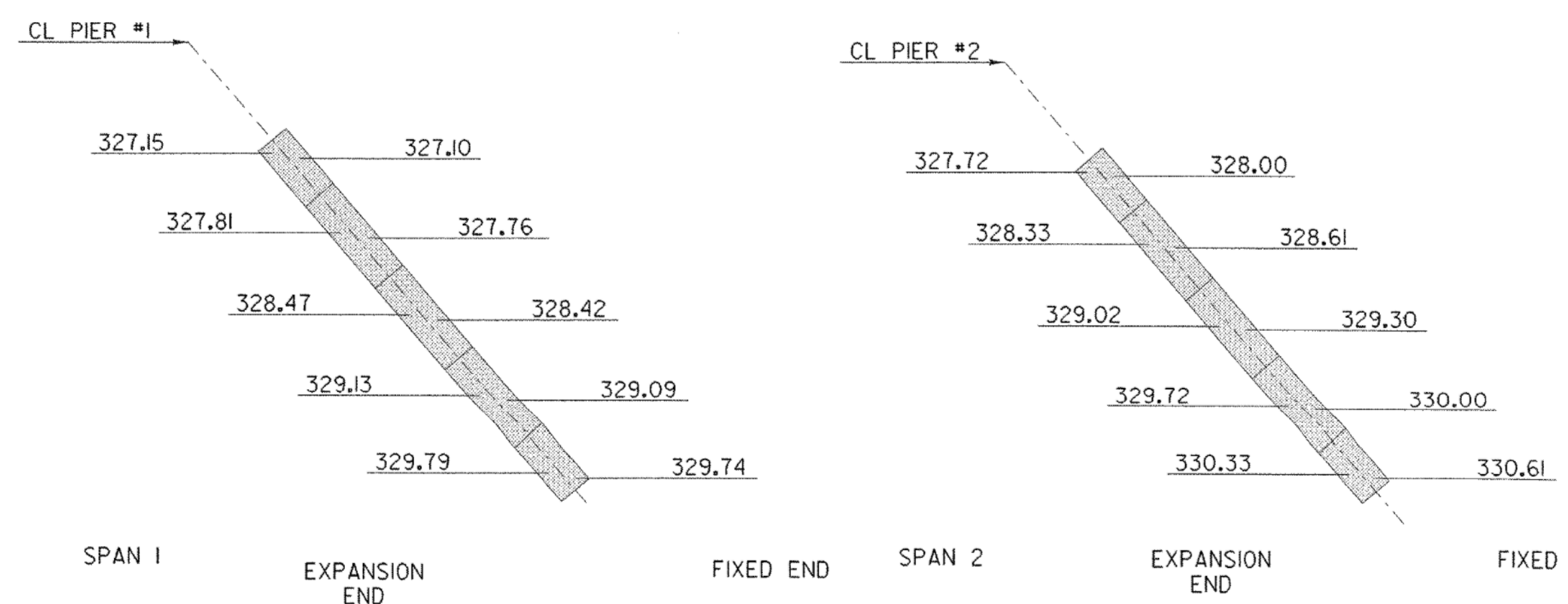
**SECTION A-A - PIER #1**  
SCALE 3/16" = 1'-0"  
1 0 2 4 6 8  
PIER #2, #3, AND #4 SIMILAR



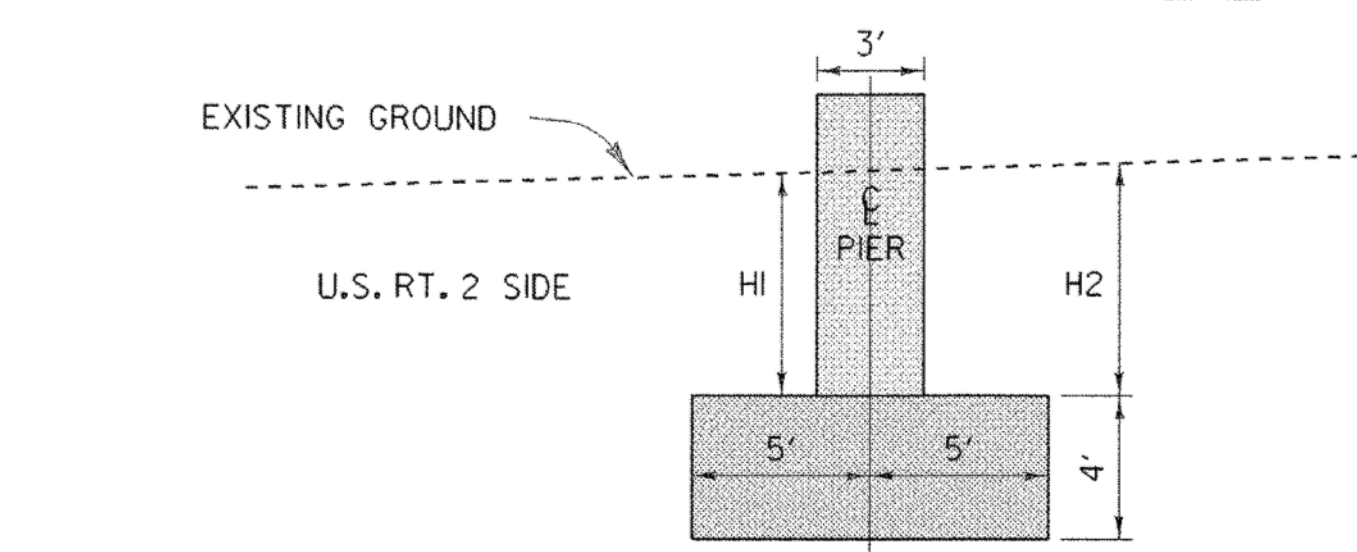
**LIMITS OF FILL OR EXCAVATION - ELEVATION VIEW**  
SCALE 3/16" = 1'-0"  
1 0 2 4 6 8



**STRUCTURE LIMITS OF EXCAVATION- PLAN VIEW**  
SCALE 3/16" = 1'-0"  
1 0 2 4 6 8



**KEY PLAN**  
N. T. S.



**APPROXIMATE EXISTING GROUND COVER OVER FOOTING**  
SCALE 3/16" = 1'-0"  
1 0 2 4 6 8

**PIER EXCAVATION TABLE**

	NB Pier 3		NB Pier 4		SB Pier 1		SB Pier 2	
	Left Column	Right Column	Left Column	Right Column	Left Column	Right Column	Left Column	Right Column
H1 Cover over footing at front ( US Rte 2 side at face of column).. ( FT ) =	4.3	5.0	5.0	6.1	4.3	5.5	4.0	4.8
H2 Cover over footing at back of footing ( FT )	3.3	4.0	7.0	8.1	3.3	4.5	6.2	7.3

NOTE  
1. SEE SHEET 10 FOR PIER REINFORCING DETAILS.

**SB PIER #1 AND PIER #2 LAYOUT**

PROJECT NAME: RICHMOND  
PROJECT NUMBER: IM 089-2(38)  
FILE NAME: 05a236\sa236newpiers.dgn PLOT DATE: 25-APR-2006  
PROJECT LEADER: SHERWARD FARNSWORTH DRAWN BY: R. PELLETT  
DESIGNED BY: G. SPILAK CHECKED BY: S. FARNSWORTH  
SOUTHBOUND - PIER #1 & PIER #2 SHEET 8 OF 43

sa236pps1