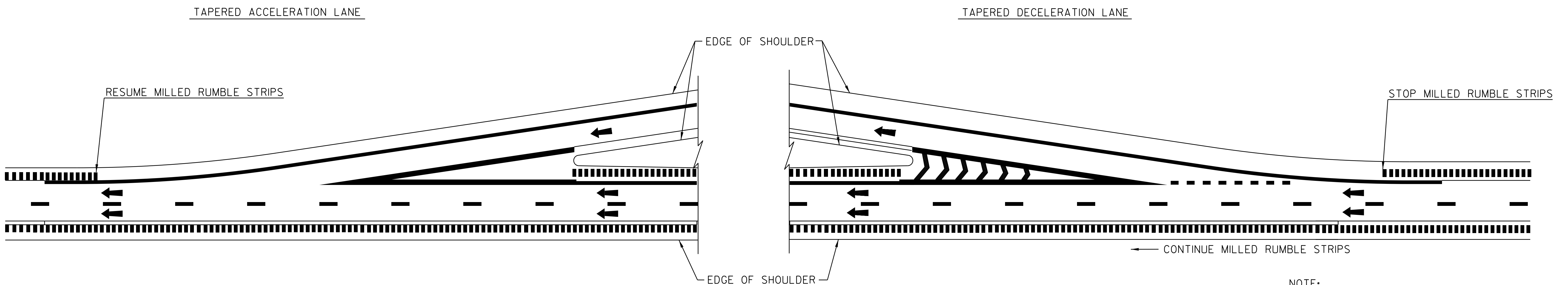
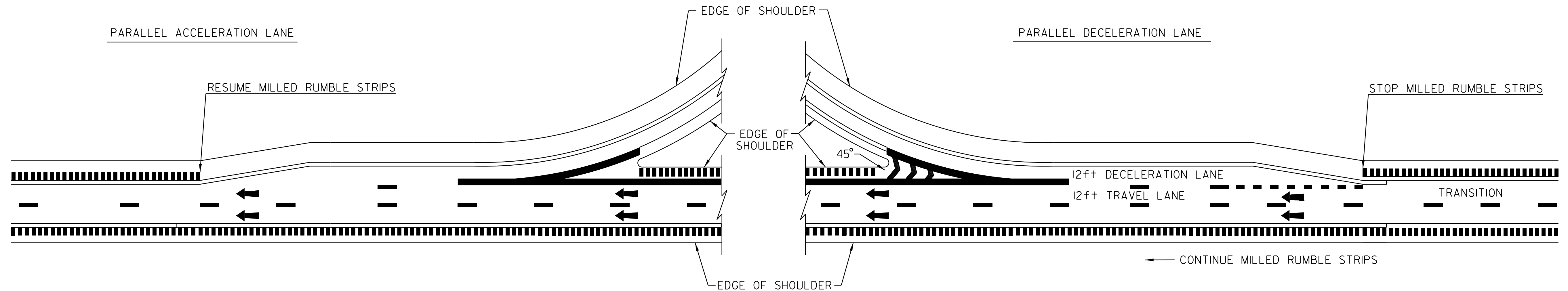


TYPICAL MILLING AT INTERCHANGES & REST AREAS



NOTE:
 1. THIS TYPICAL MAY BE MODIFIED AT THE DISCRETION OF THE RESIDENT ENGINEER IF ACTUAL FIELD CONDITIONS NECESSITATE SUCH ACTIONS.

LEGEND

- DIRECTION OF TRAFFIC FLOW
- MILLED RUMBLE STRIPS

DATUM	
VERTICAL	N/A
HORIZONTAL	N/A

MILLED RUMBLE STRIP DETAIL SHEET #1

DESIGNED BY _____	DATE 6-07
DRAWN BY _____	DATE 6-07
DESIGN FILE NO. p01a030.dgn	
PRF FILE p01a030r.sl.i	DATE PLOTTED \$\$\$\$\$\$DATE\$\$\$\$\$
PROJ. NAME	RICHMOND-SO. BURLINGTON
PROJ. NO.	IM089-2(39)
SHEET 64 OF 91 SHEETS	