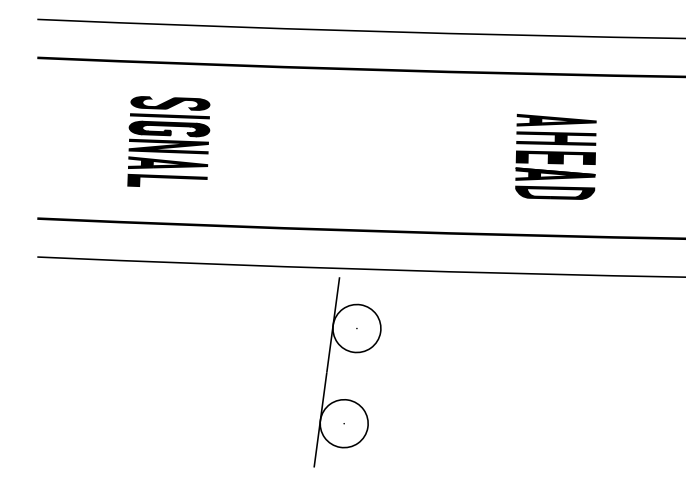
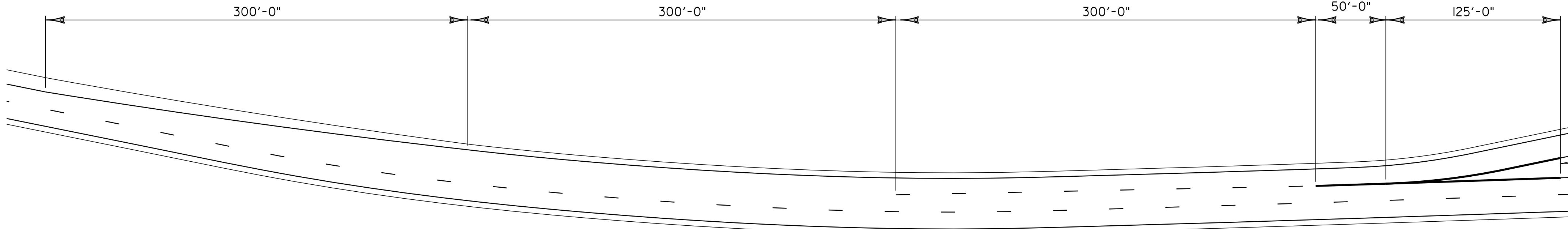


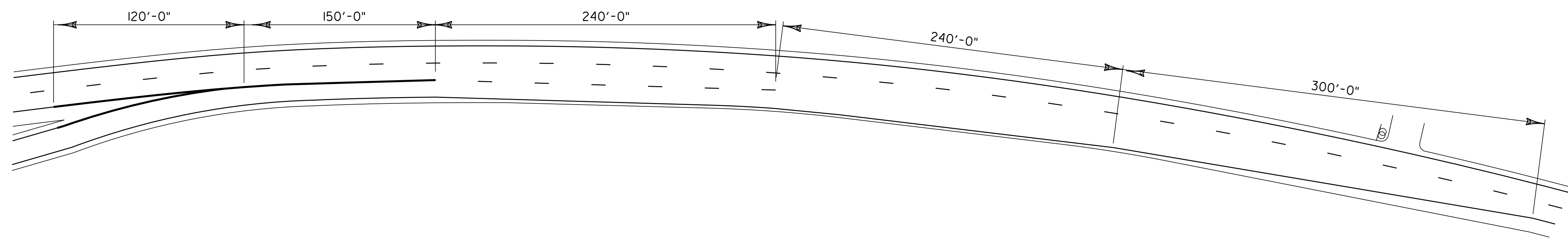
INSET A - GORE DETAIL AT EXIT 16 RAMP A



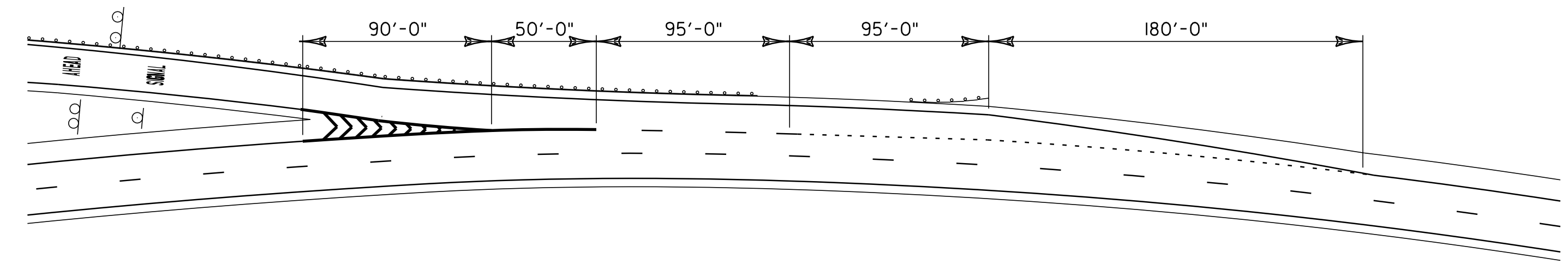
INSET E - EXIT 16 RAMP A



INSET B - GORE DETAIL AT EXIT 16 RAMP B



INSET C - GORE DETAIL AT EXIT 16 RAMP C



INSET D - GORE DETAIL AT EXIT 16 RAMP D

**RAMP DETAIL
SHEET 2
INTERCHANGE
#16**

PROJECT NAME:	SO. BURLINGTON - COLCHESTER	
PROJECT NUMBER:	IM 089-3(60)	
FILE NAME:	p05a012.dgn	PLOT DATE: \$\$\$\$\$\$DATE\$\$\$
PROJECT LEADER:	EPD	DRAWN BY: RHB/SJB
DESIGNED BY:	JDA	CHECKED BY: EPD
PLOT FILE:	p05a012rdsi8.dgn	SHEET 42 OF 91