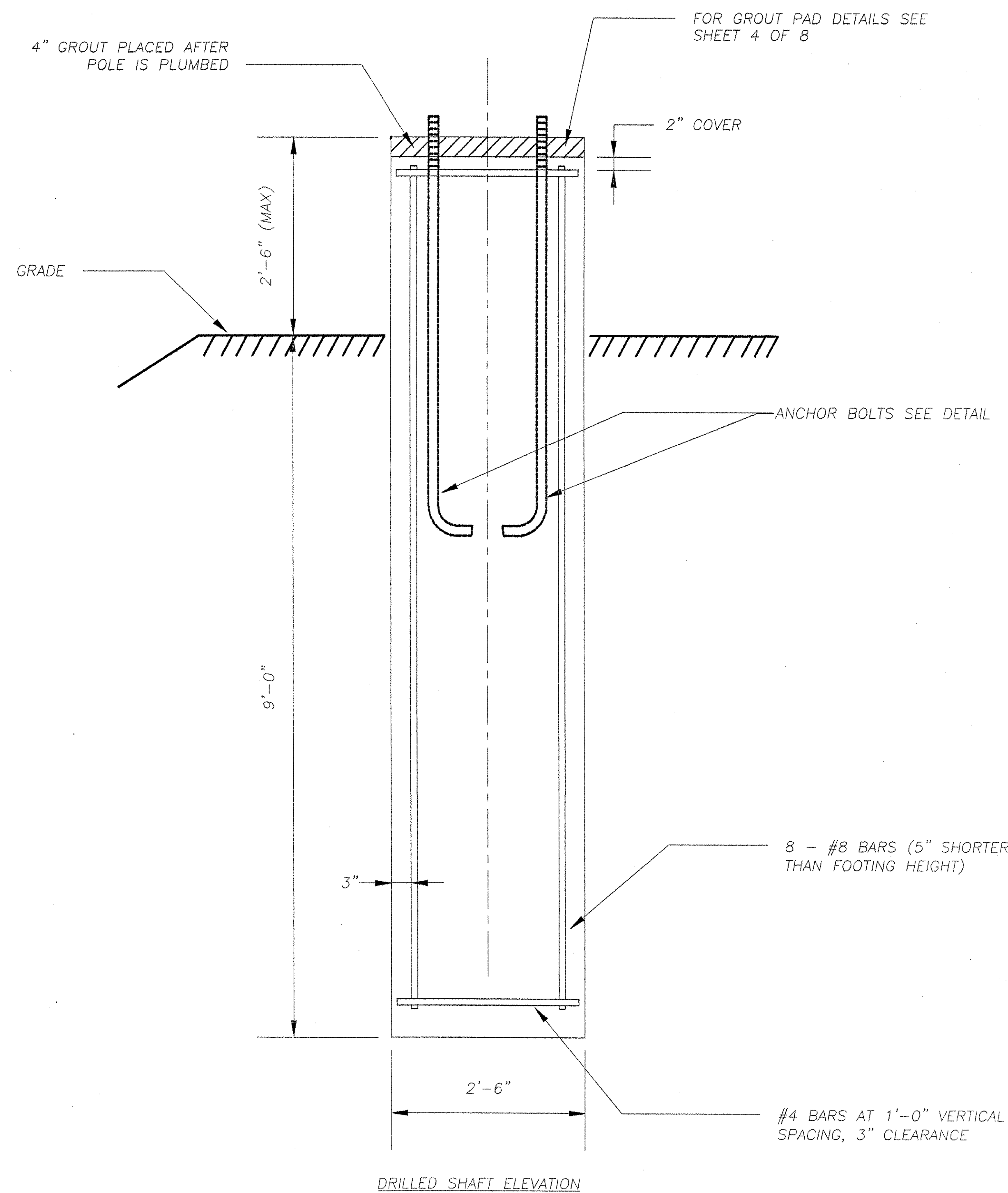


POSITION ANCHOR BOLTS TO ALLOW MINIMUM CLEARANCE OF 1-1/2" TO NEAREST REINFORCING STEEL SEE SECTION FOR ANCHOR BOLT LOCATION SHEET 4 OF 8

DRILLED SHAFT SECTION

NOTES:

DESIGN CRITERIA ARE AS FOLLOWS:
 CONCRETE $f_c=1400$ psi $f'_c=3500$ psi
 REINFORCING $f_s=24000$ PSI (GRADE 60)
 FOOTING SOIL PRESSURE: 3000 PSF (MAXIMUM)



DRILLED SHAFT ELEVATION



HIGHWAY SAFETY CORP.
 GLASTONBURY, CT

TRI-CHORD SIGN STRUCTURE
 I-89 EXIT 12 SB OFF RAMP
 CHITTENDEN COUNTY, VERMONT
 PROJECT No. IM 089-2(35)

CHECKED	<i>[Signature]</i>
DATE	11/15/05
SCALE	N.T.S.
HSC REFERENCE NO.	1515
SIZE	D
REVISION	0
SHEET NO.	8 of 8

REVISIONS		
No.	Remarks	Date
0	Initial submittal	

[Handwritten signature]