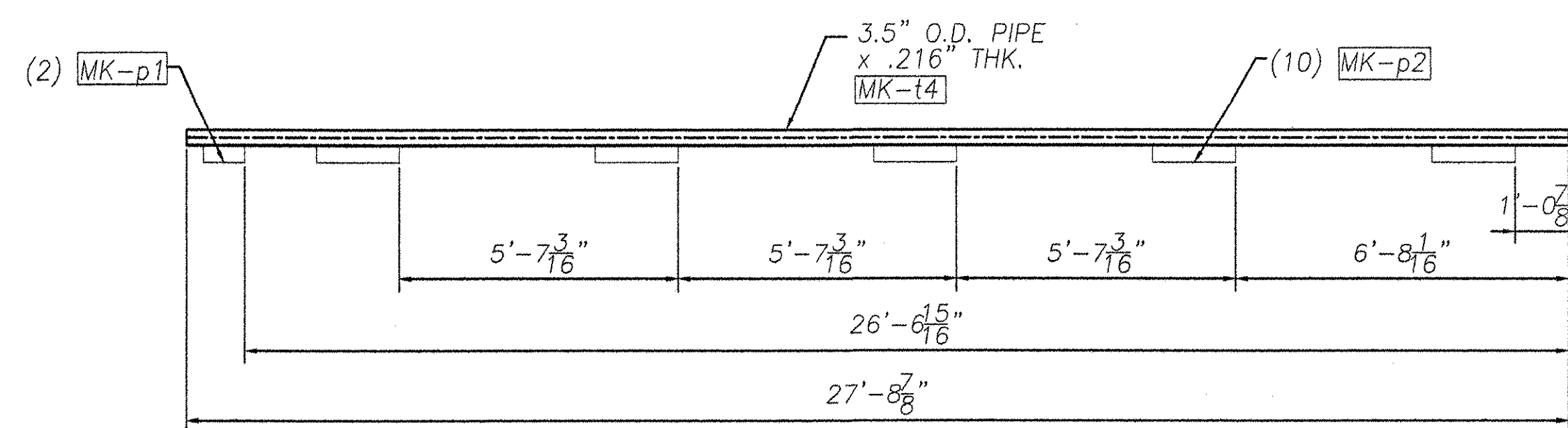
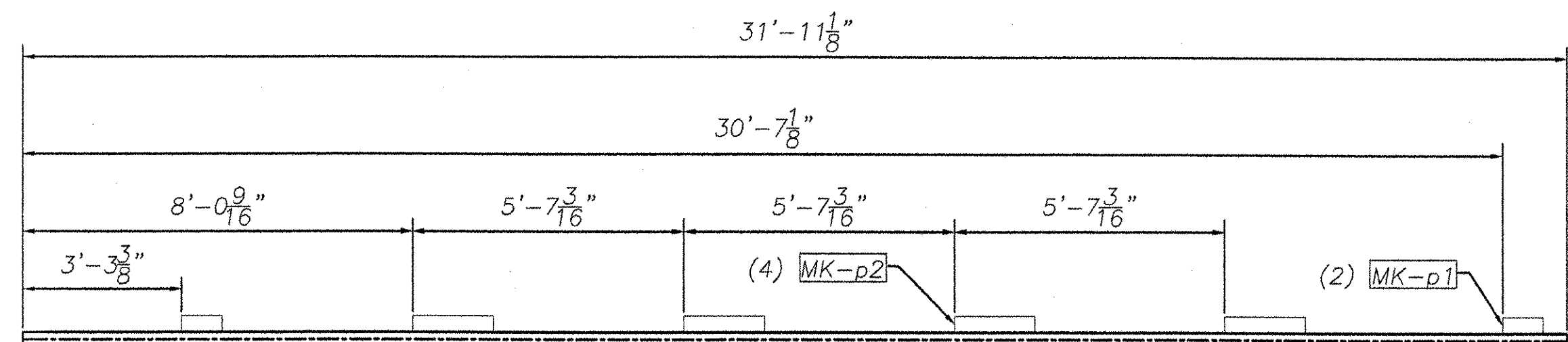


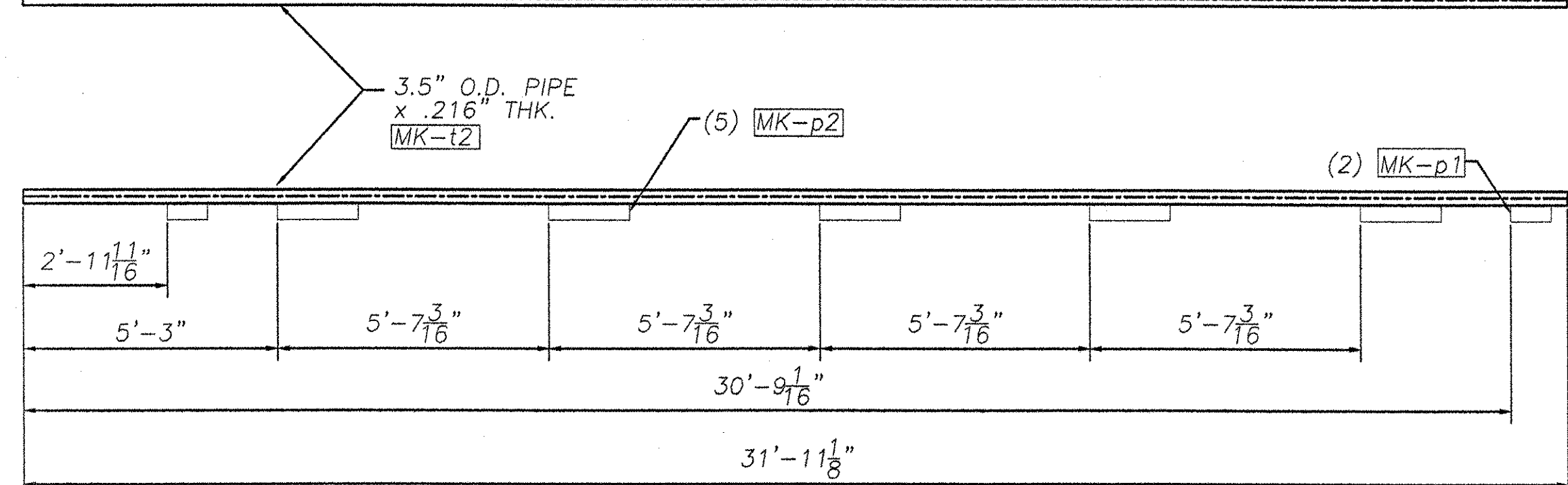
MK-RA1



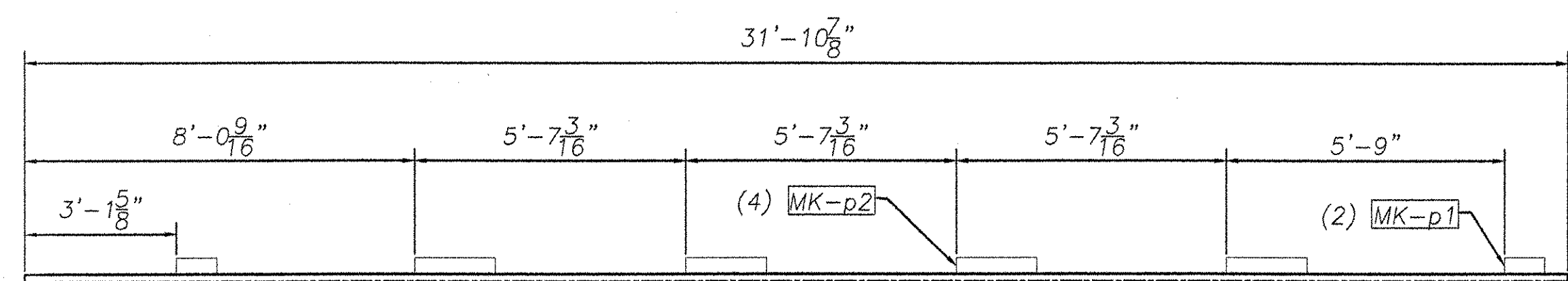
MK-RA4



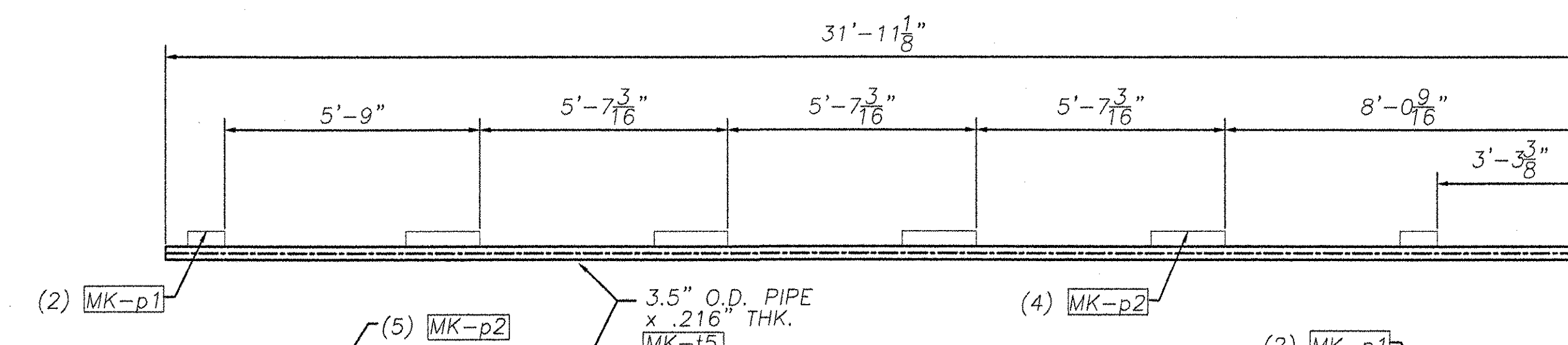
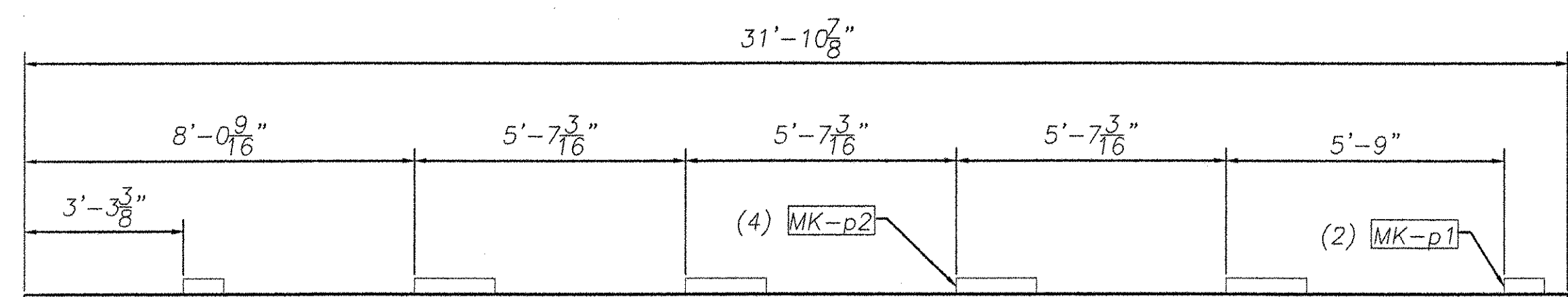
MK-RA2



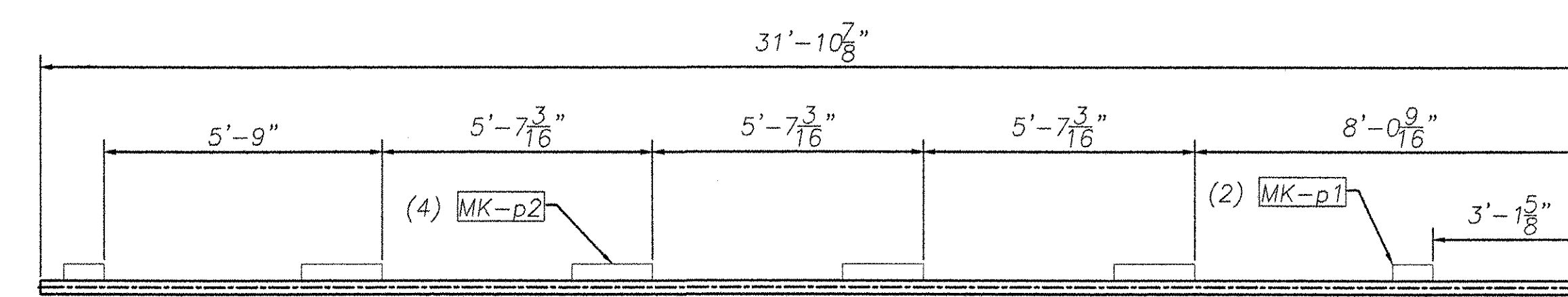
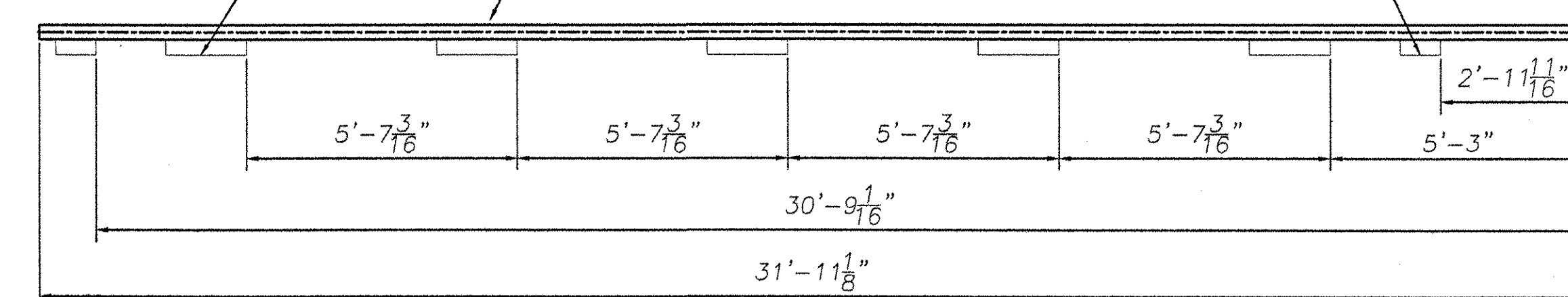
MK-RA2



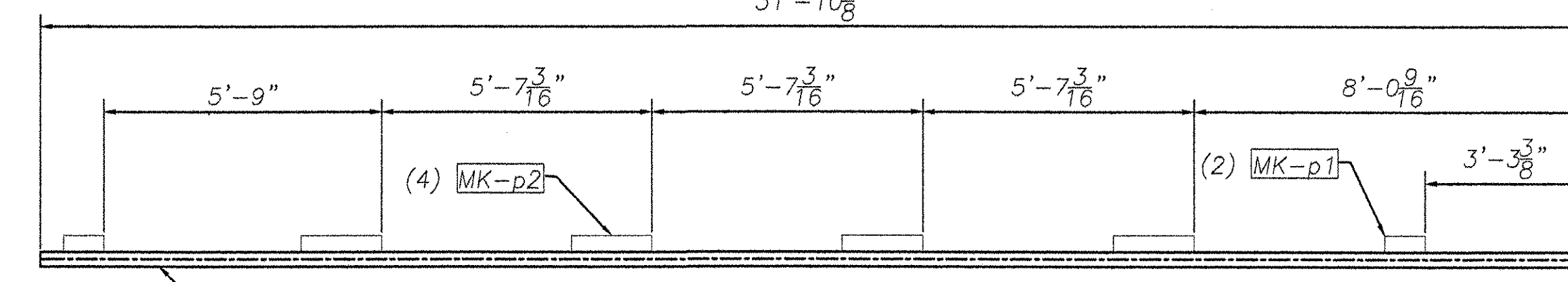
MK-RA3



MK-RA5



MK-RA6



REVISIONS		
No.	Remarks	Date
0	Initial submittal	

*PLF*

**HIGHWAY SAFETY CORP.**  
GLASTONBURY, CT

TRI-CHORD SIGN STRUCTURE  
1-89 EXIT 12 SB OFF RAMP  
CHITTENDEN COUNTY, VERMONT  
PROJECT No. IM 089-2(35)

GENERAL CONTRACTOR  
SUB CONTRACTOR F.R. LAFAYETTE

DRAWN: MMH  
CHECKED: *[Signature]*  
DATE: 7/8/05  
SCALE: NTS  
HSC REFERENCE NO.: 1515  
SIZE: D REVISION: 0  
SHEET NO.: 5 of 8

