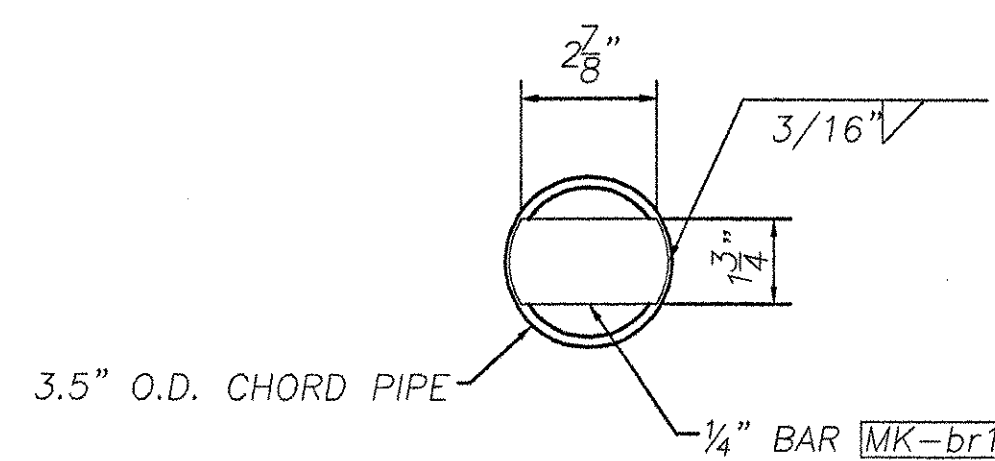
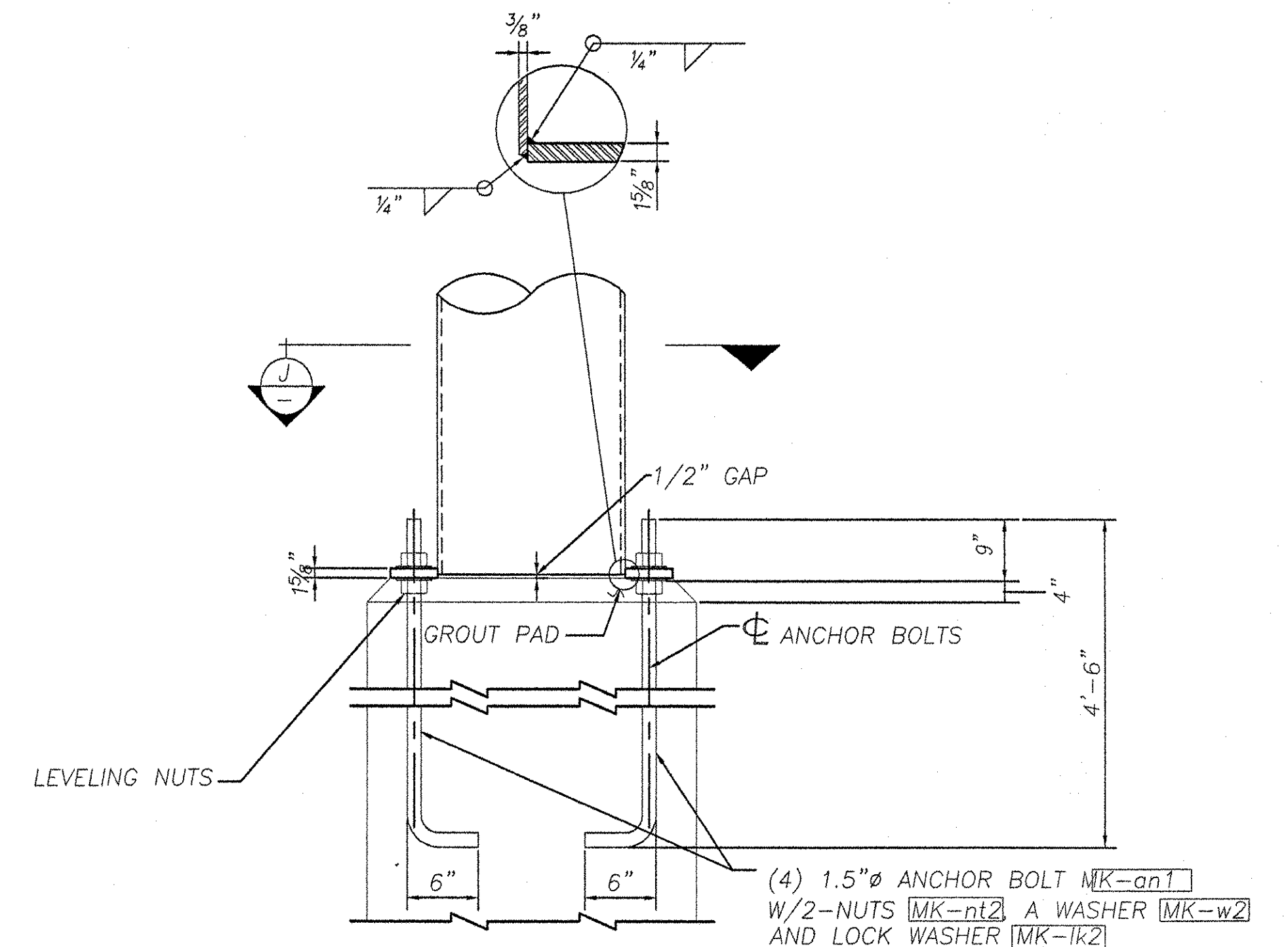


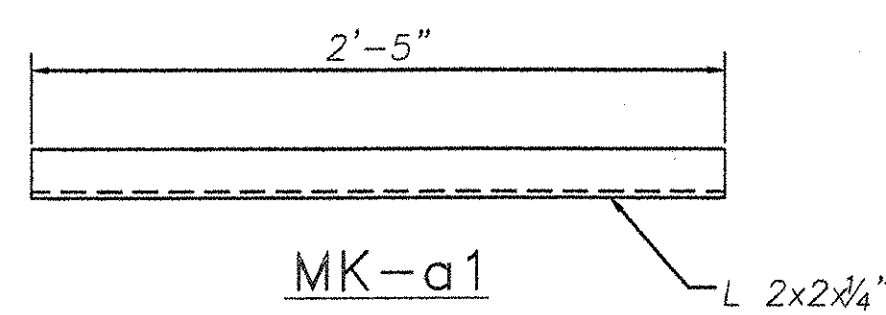
TRUSS CONNECTION DETAIL



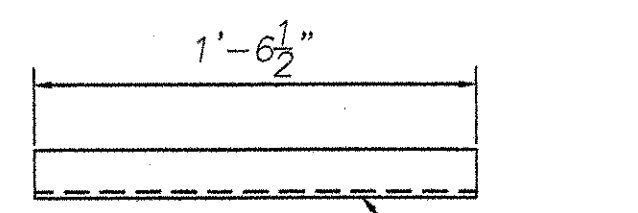
PLUG DETAIL
(EACH END OF TRUSS CHORD)



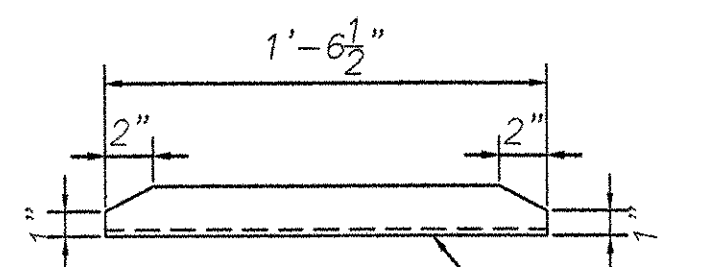
ANCHORAGE ASSEMBLY



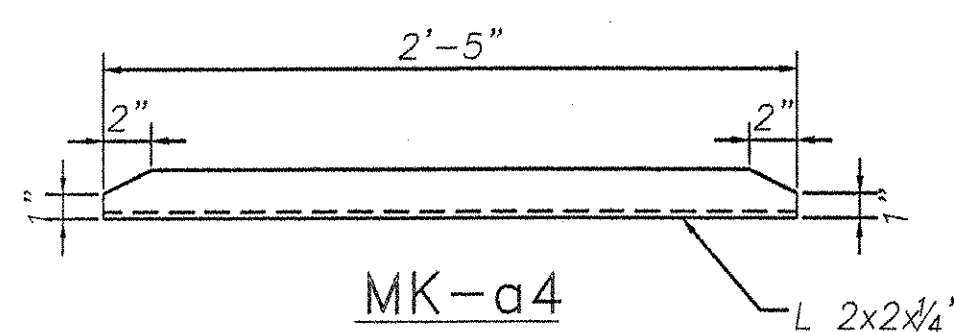
MK-a1



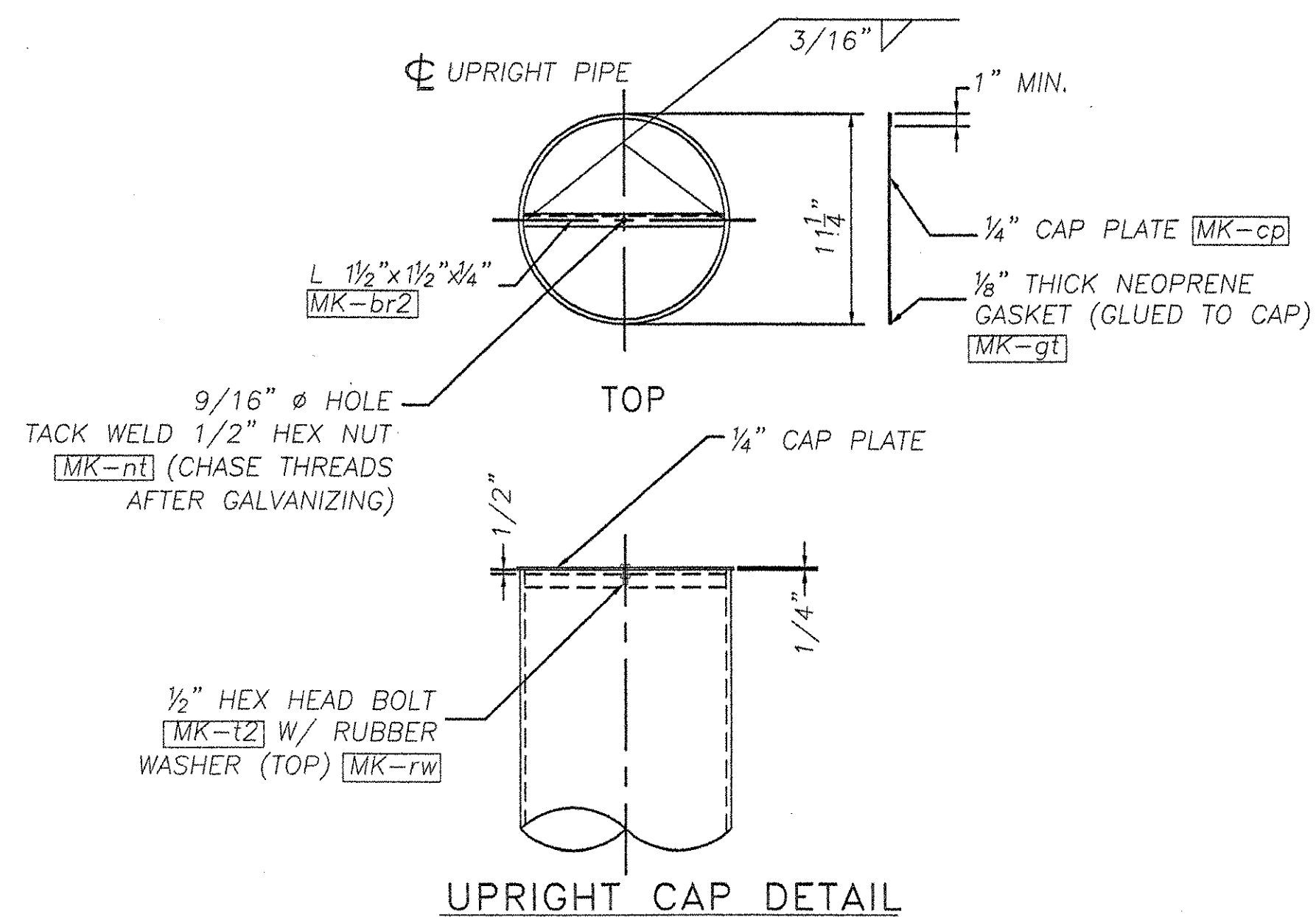
MK-a2



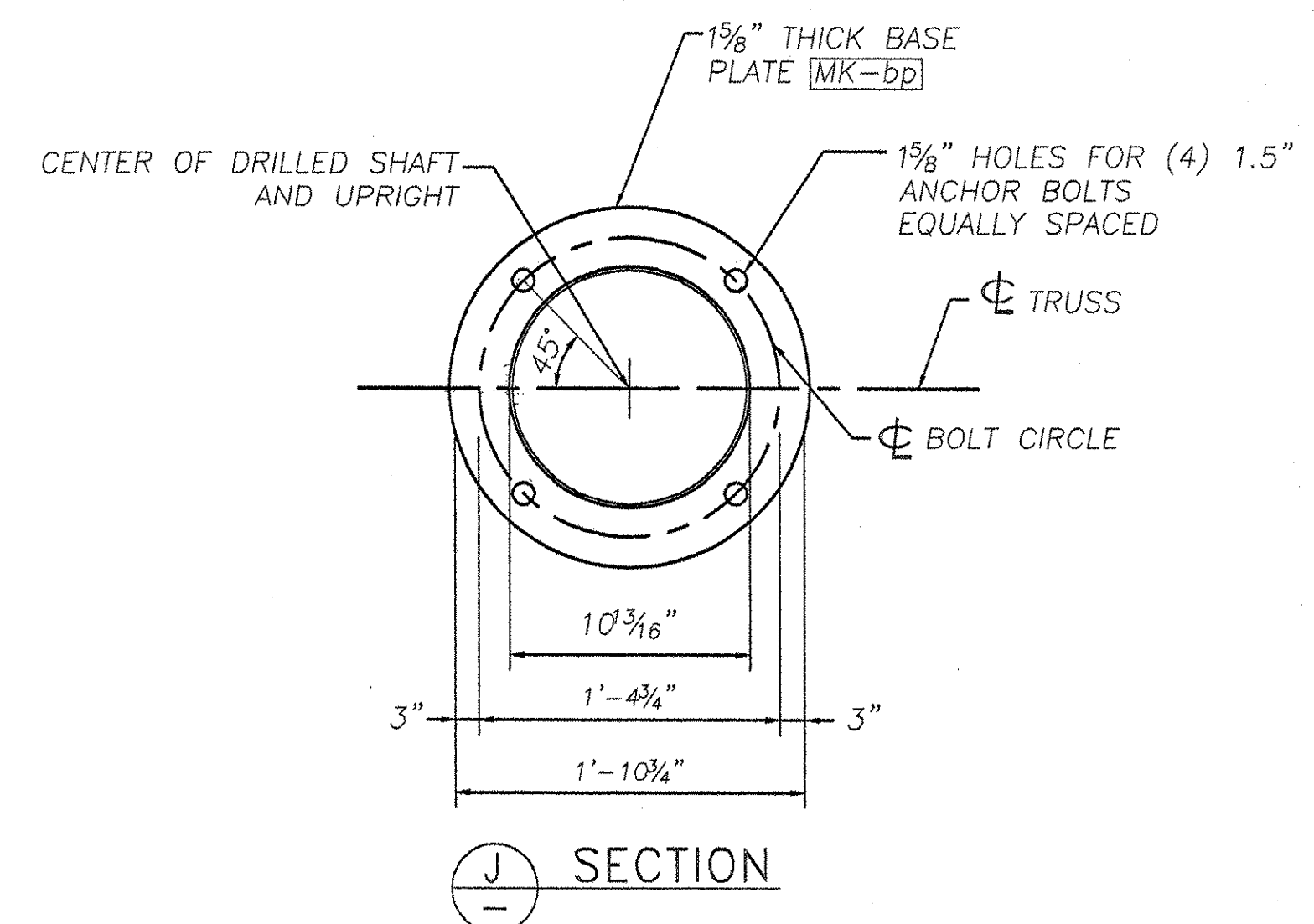
MK-a3



MK-a4



UPRIGHT CAP DETAIL



SECTION J

REVISIONS		
No.	Remarks	Date
0	Initial submittal	



HIGHWAY SAFETY CORP.
GLASTONBURY, CT

TRI-CHORD SIGN STRUCTURE
I-89 EXIT 12 SB OFF RAMP
CHITTENDEN COUNTY, VERMONT
PROJECT No. IM 089-2(35)

DRAWN	MHM
CHECKED	<i>[Signature]</i>
DATE	7/8/05
SCALE	N.T.S.
HSC REFERENCE NO.	1515
SIZE	D
REVISION	0
SHEET NO.	4 of 8

[Handwritten signature]