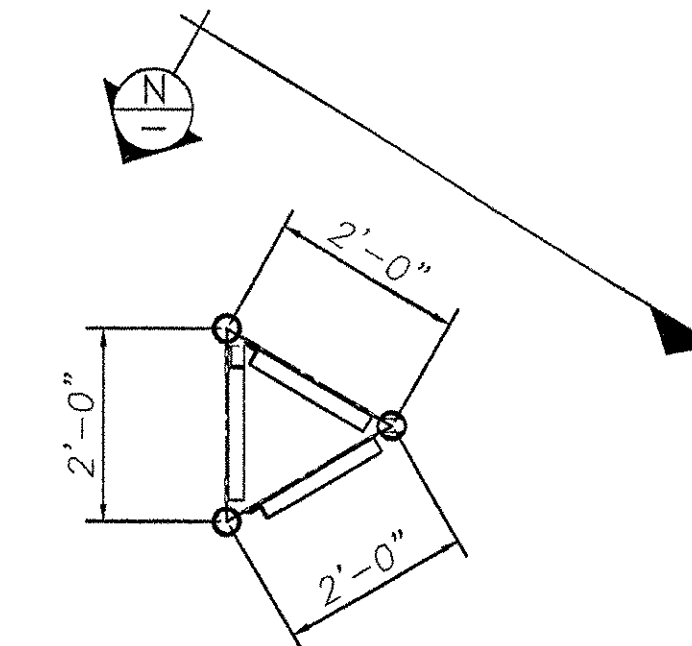
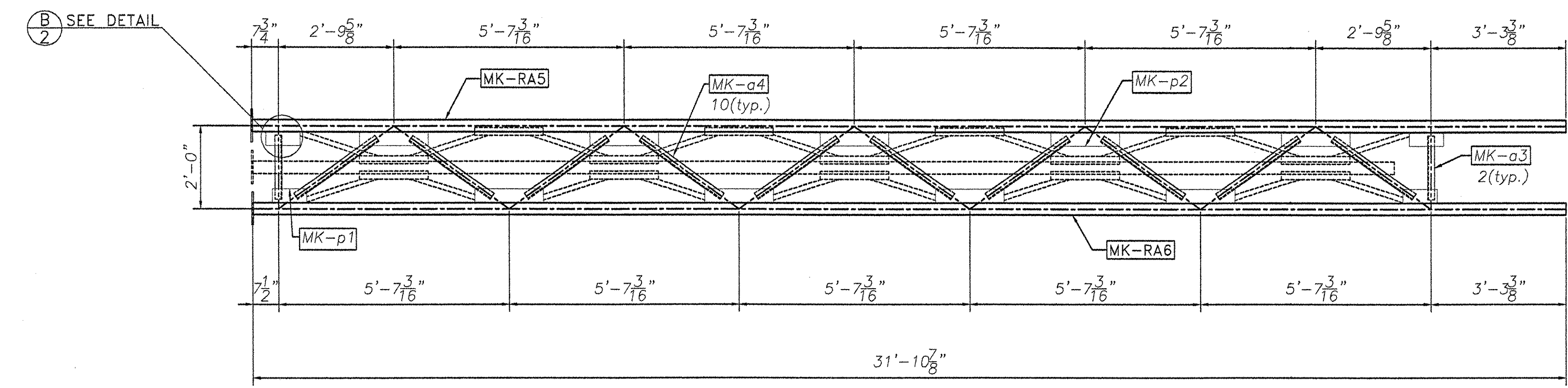


N VIEW



SIDE VIEW



FRONT VIEW



**HIGHWAY SAFETY CORP.**  
GLASTONBURY, CT

TRI-CHORD SIGN STRUCTURE  
I-89 EXIT 12 SB OFF RAMP  
CHITTENDEN COUNTY, VERMONT  
PROJECT No. IM 089-2(35)

DRAWN	MHM
CHECKED	<i>[Signature]</i>
DATE	7/8/05
SCALE	NTS
TISC REFERENCE NO.	1515
SIZE	D
REVISION	0
SHEET NO.	3 of 8

GENERAL CONTRACTOR

SUB CONTRACTOR F.R. LAFAYETTE

*[Handwritten signature]*

REVISIONS		
No.	Remarks	Date
0	Initial submittal	