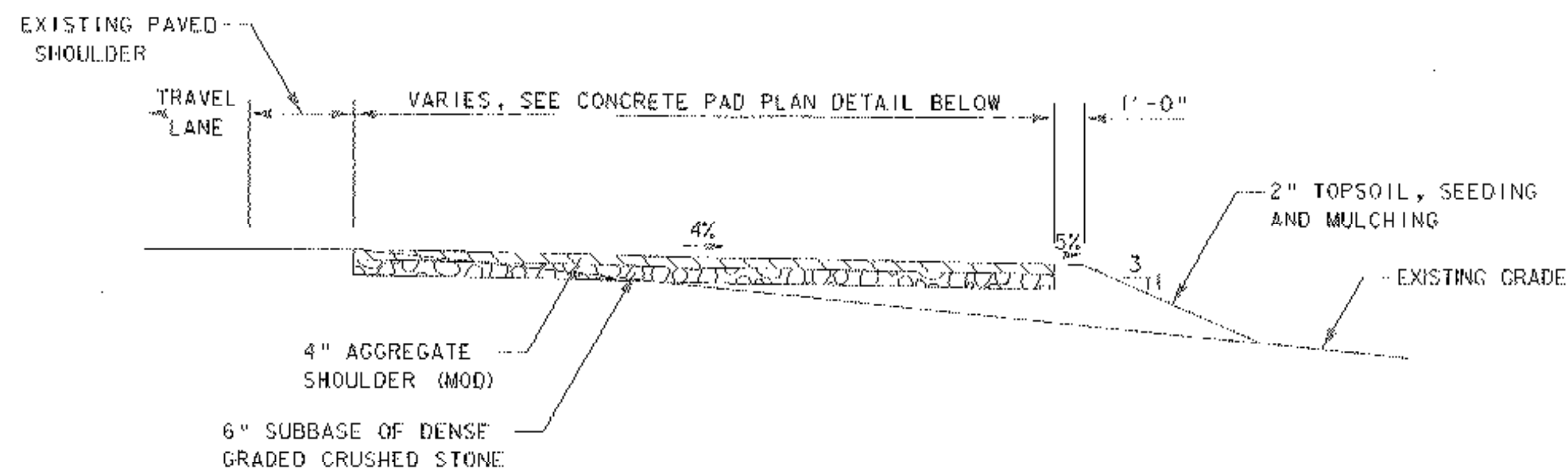
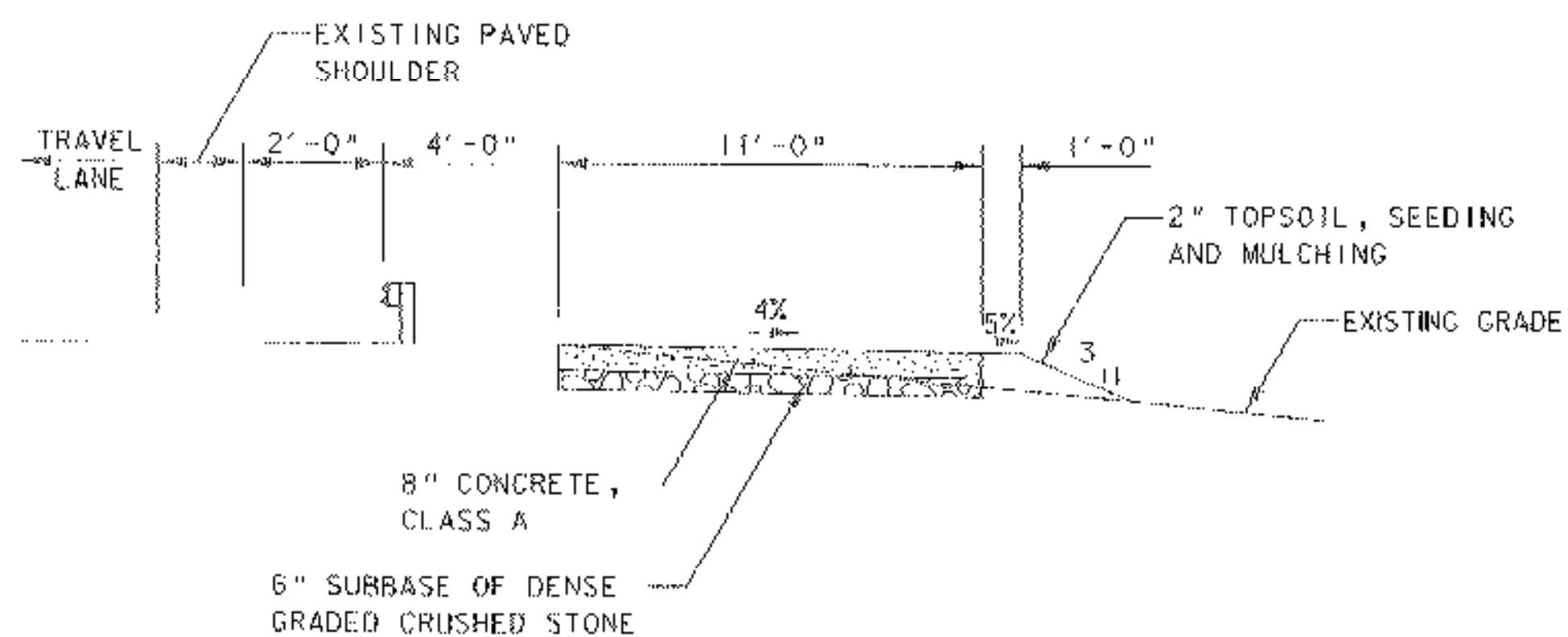


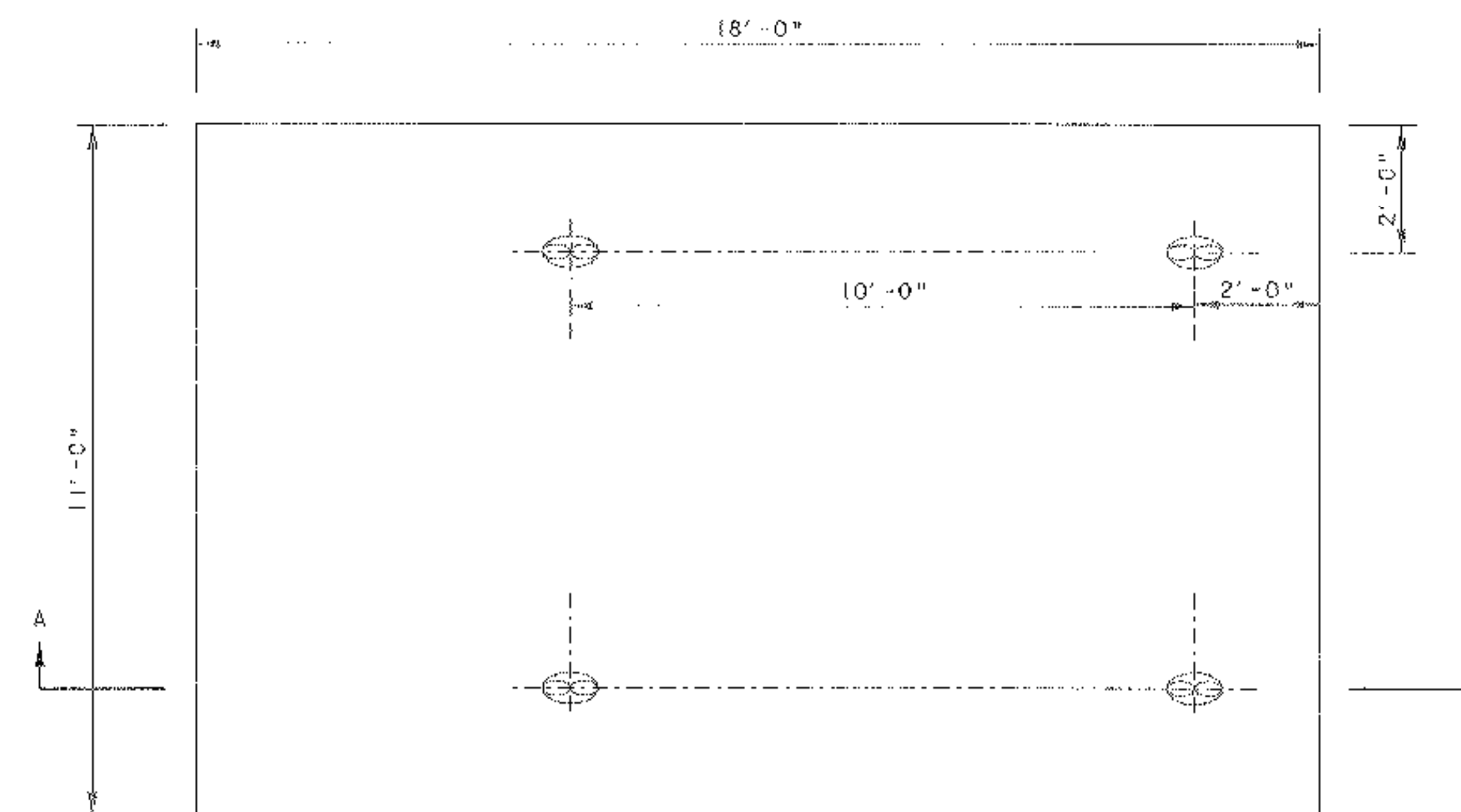
**CONCRETE PAD - SIGN ANCHOR DETAIL**  
NOT TO SCALE



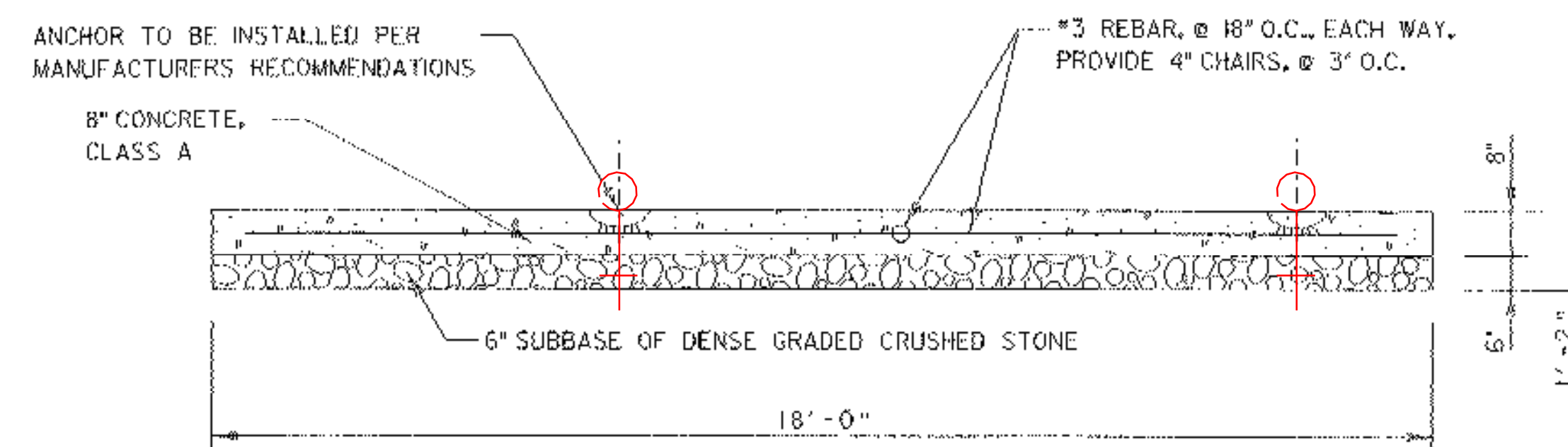
**TYPICAL SECTION THROUGH APPROACH TO CONCRETE PAD**  
NOT TO SCALE



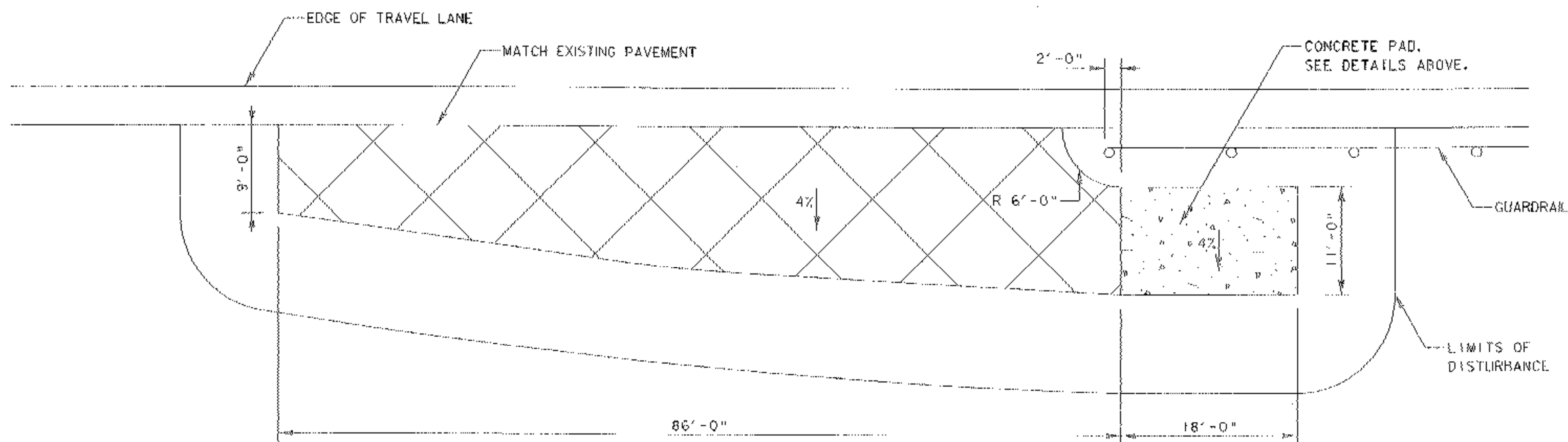
**TYPICAL SECTION THROUGH CONCRETE SLAB**  
NOT TO SCALE



**FOUNDATION FOR TUBULAR STEEL POSTS (MOD. - CONCRETE PAD)**  
NOT TO SCALE



**SECTION A-A**  
NOT TO SCALE



**CONCRETE PAD PLAN**  
NOT TO SCALE

**NOTES**

1. CONCRETE PAD TO BE PLACED FOR THE NEW "AMBER ALERT" DYNAMIC MESSAGE SIGN LOCATED AT M.M. 86.220 (MAINLINE STATION 4552+41.6).
2. ANCHORS SHALL BE NEENAH R-3490 AIRPORT MOORING EYES OR APPROVED EQUAL.
3. COST OF CONCRETE, REBAR AND ANCHORS SHALL BE PAID FOR INCIDENTAL TO ITEM 675.43, "FOUNDATION FOR TUBULAR STEEL POSTS (MOD. - CONCRETE PAD)".

PROJECT NAME: I-89 EXIT 12 SB OFF RAMP	
PROJECT NUMBER: IM 089-2(35)	
FILE NAME: 18800F4D101.dgn	PLOT DATE: 14-JUN-2005
PROJECT LEADER: EPD	DRAWN BY: JDA / PGJ
DESIGNED BY: JDA	CHECKED BY: EPD
CONCRETE PAD DETAILS	SHEET 65 OF 76