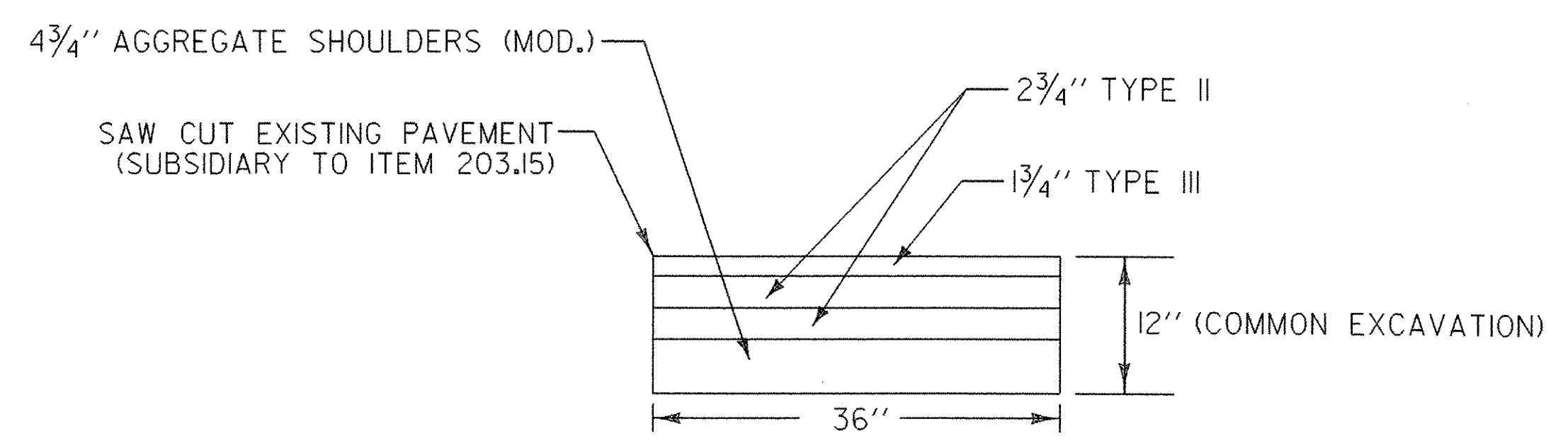
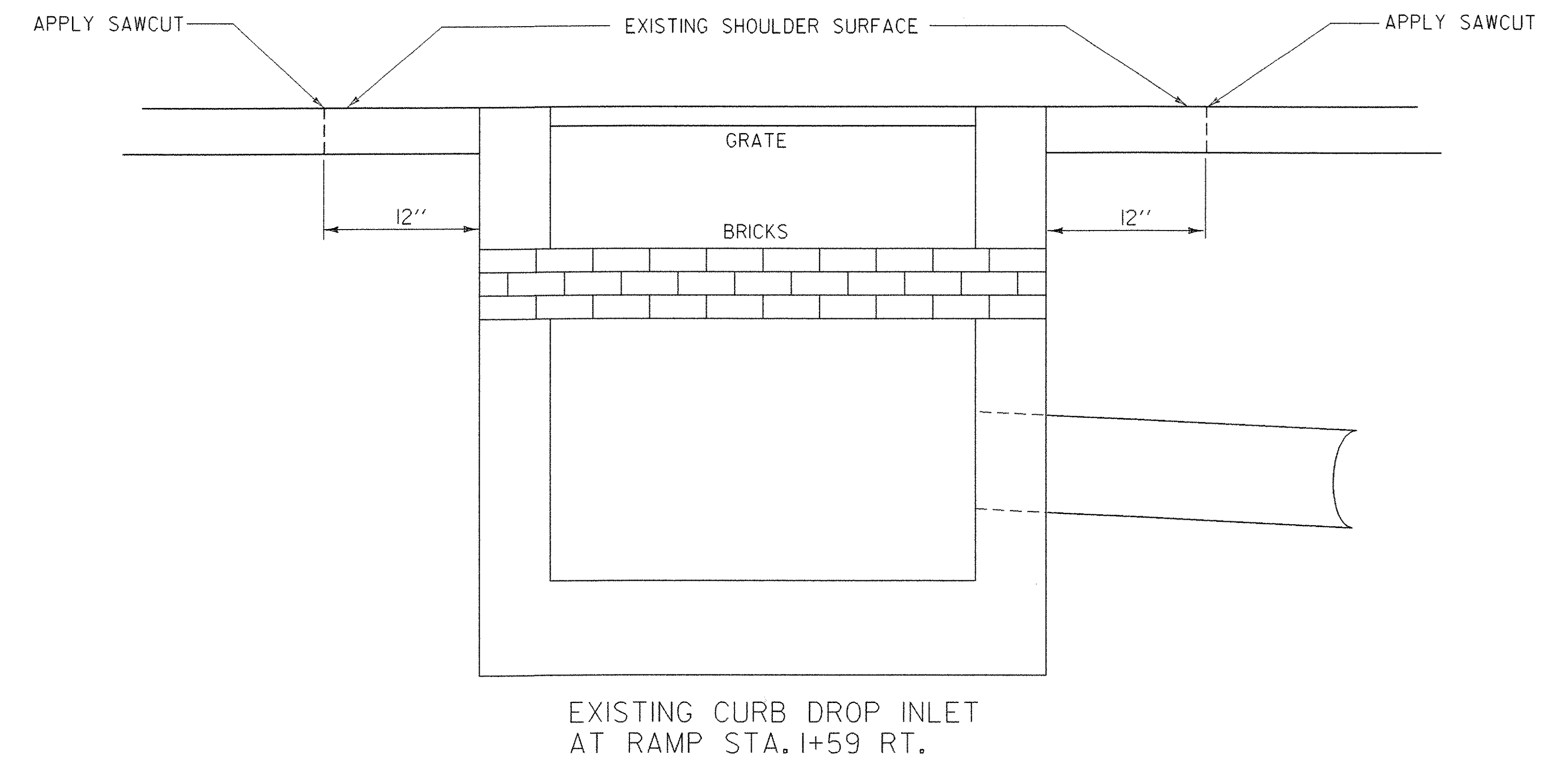


- 203.15 - COMMON EXCAVATION  
RAMP "B" STA. 1+50 - 5+82 RT.
- 402.12 - AGGREGATE SHOULDER (MOD.)  
RAMP "B" STA. 1+50 - 5+82 RT.
- 616.41 - REMOVAL OF EXISTING CURB  
RAMP "B" STA. 1+50 - 5+82 RT.

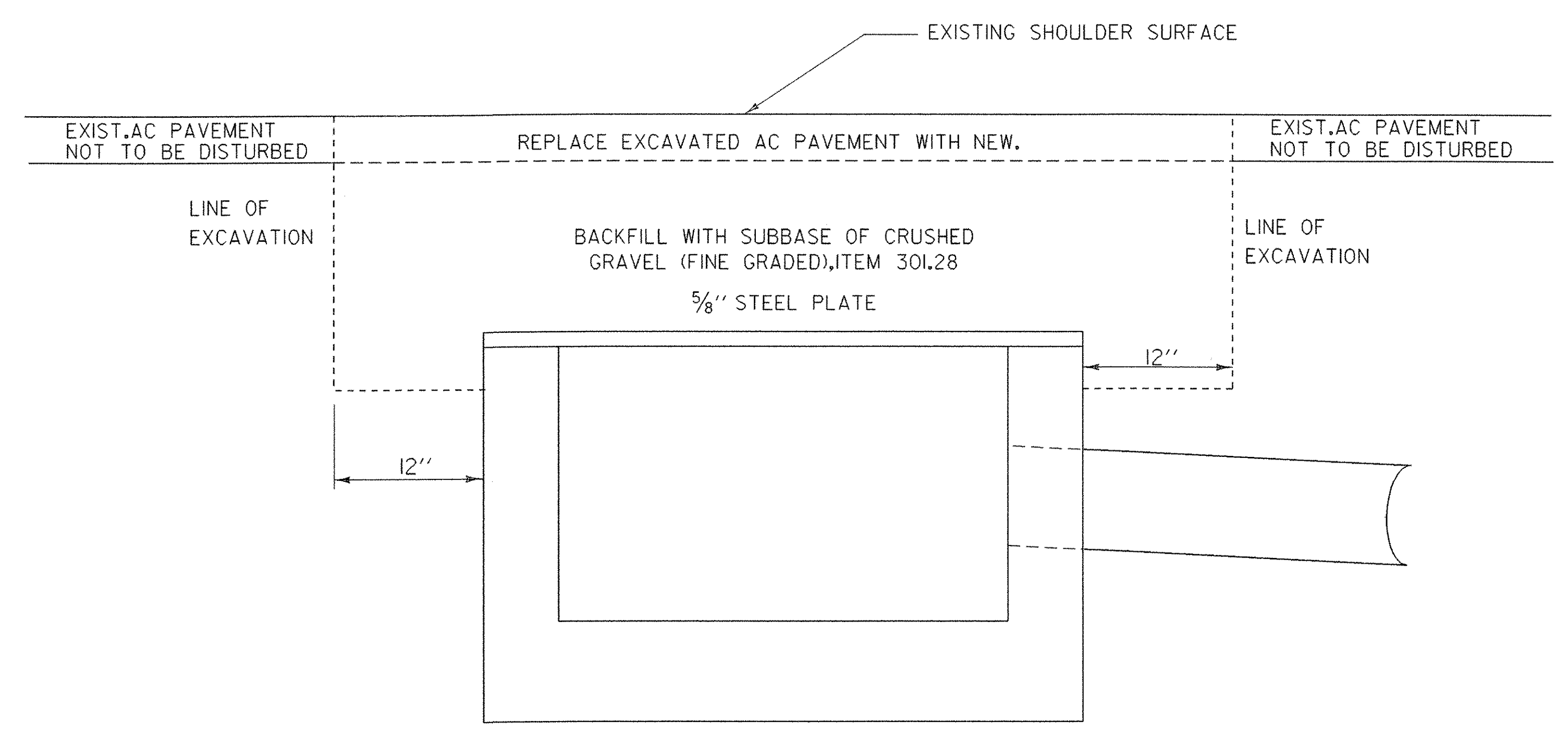


RAMP "B" STA. 1+50 - 5+82 RT.

**CURB REMOVAL & SHOULDER WIDENING  
@ EXIT 11 RAMP "B" RT.**



1



PROPOSED TREATMENT OF CURB DROP INLET

2

<b>DETAIL SHEET # 2</b>	PROJECT NAME: BOLTON - SO. BURLINGTON	PLOT DATE: 17-MAY-2005
	PROJECT NUMBER: AC IM 089-2(36)	DRAWN BY:
	FILE NAME: /pave/04all4/p04all4.dgn	CHECKED BY:
	DESIGNED BY:	SHEET 36 OF 76
	IPARM NAME: p04all4ds2.1	