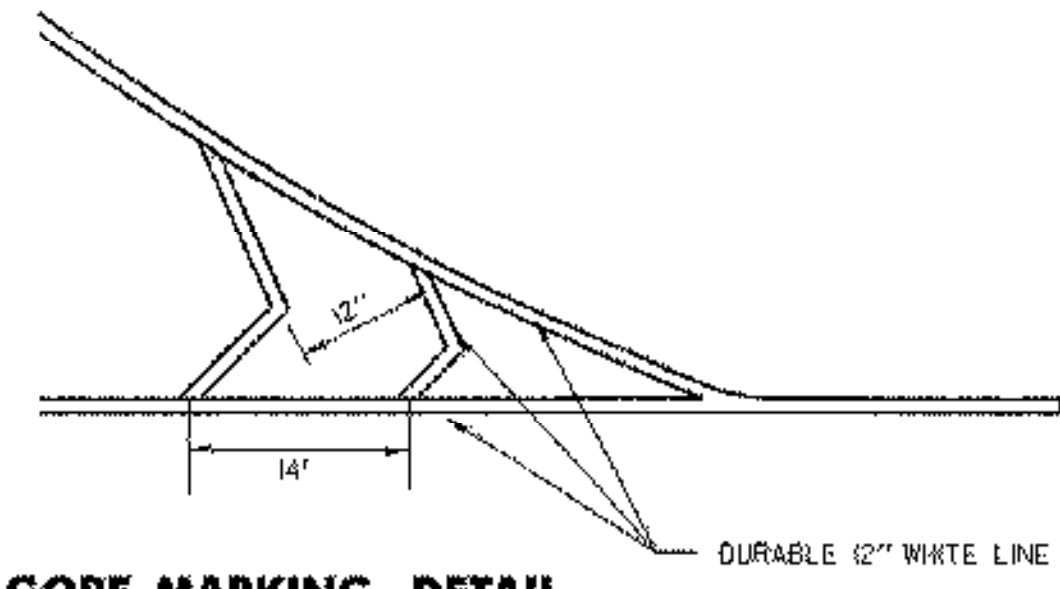
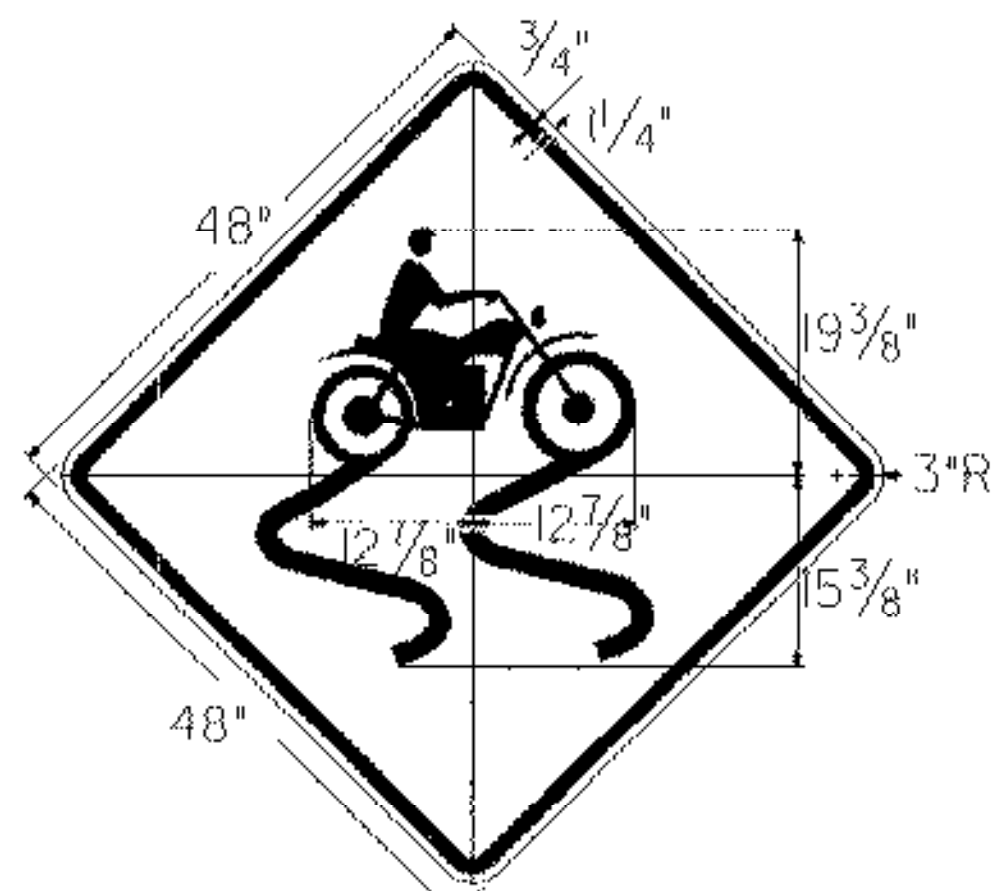
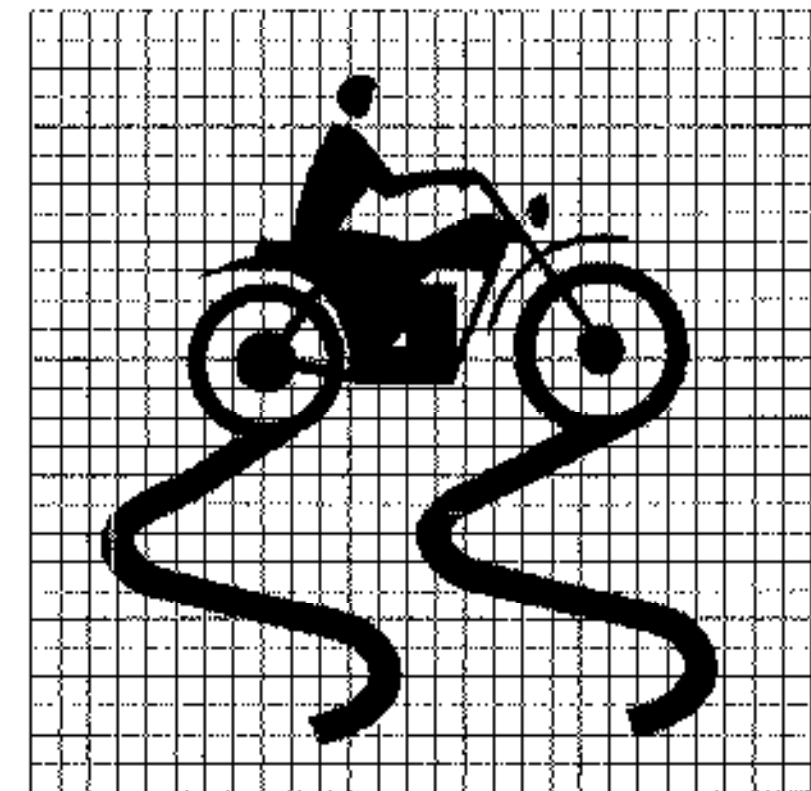


62L505 MANUFACTURED TERMINAL SECTIONS (FLARED)
 RAMP "A" 13+25 RT. - 13+62.5 RT.

62L80 REMOVAL & DISP. OF GUARDRAIL
 RAMP "A" 13+25 RT. - 13+62.5 RT.



GORE MARKING DETAIL



VW-397
 BLACK SYMBOL & BORDER
 WITH YELLOW BACKGROUND

REFER TO STD. E-191, E-192, & E-193 FOR FURTHER MARKING PLACEMENT DETAILS

