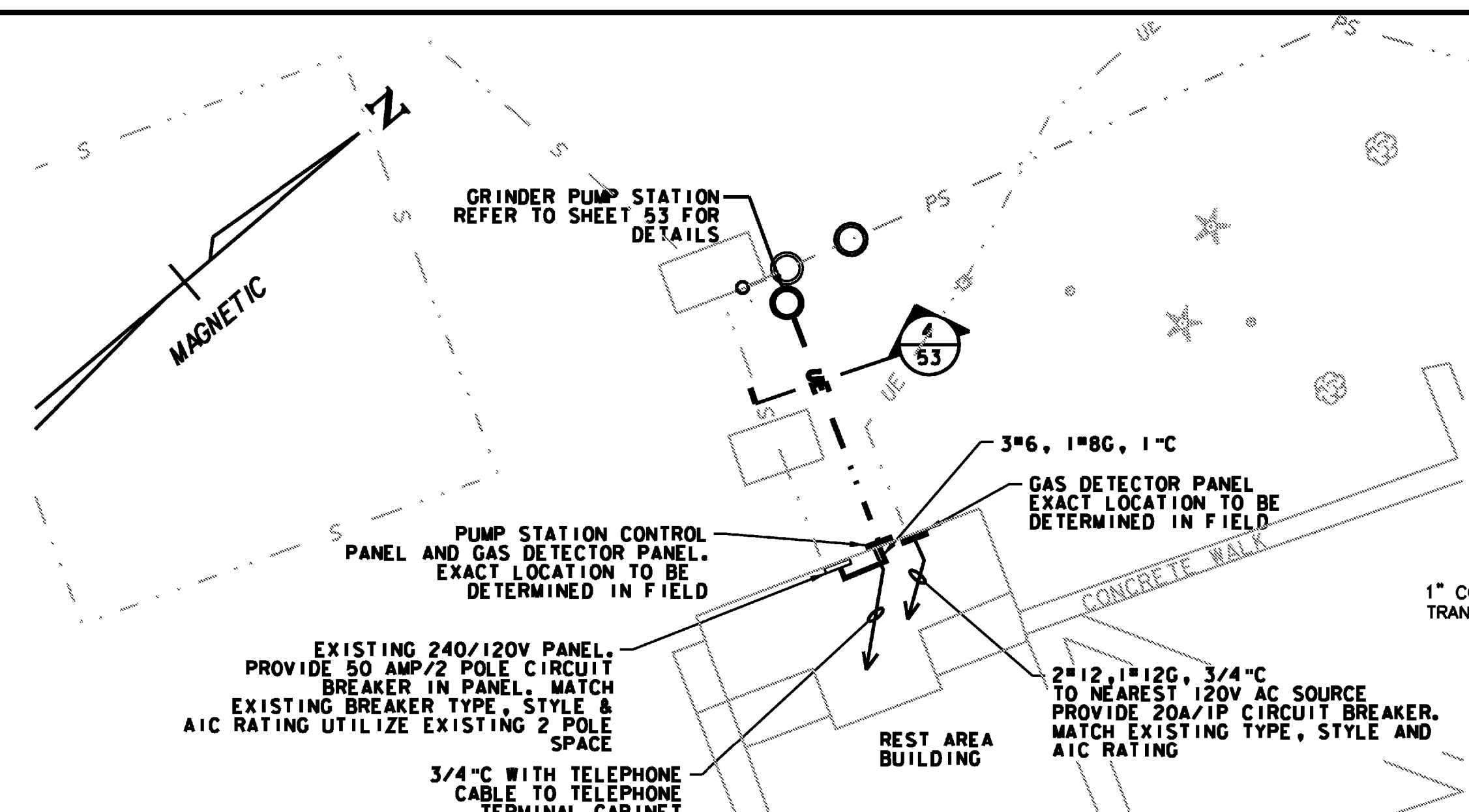
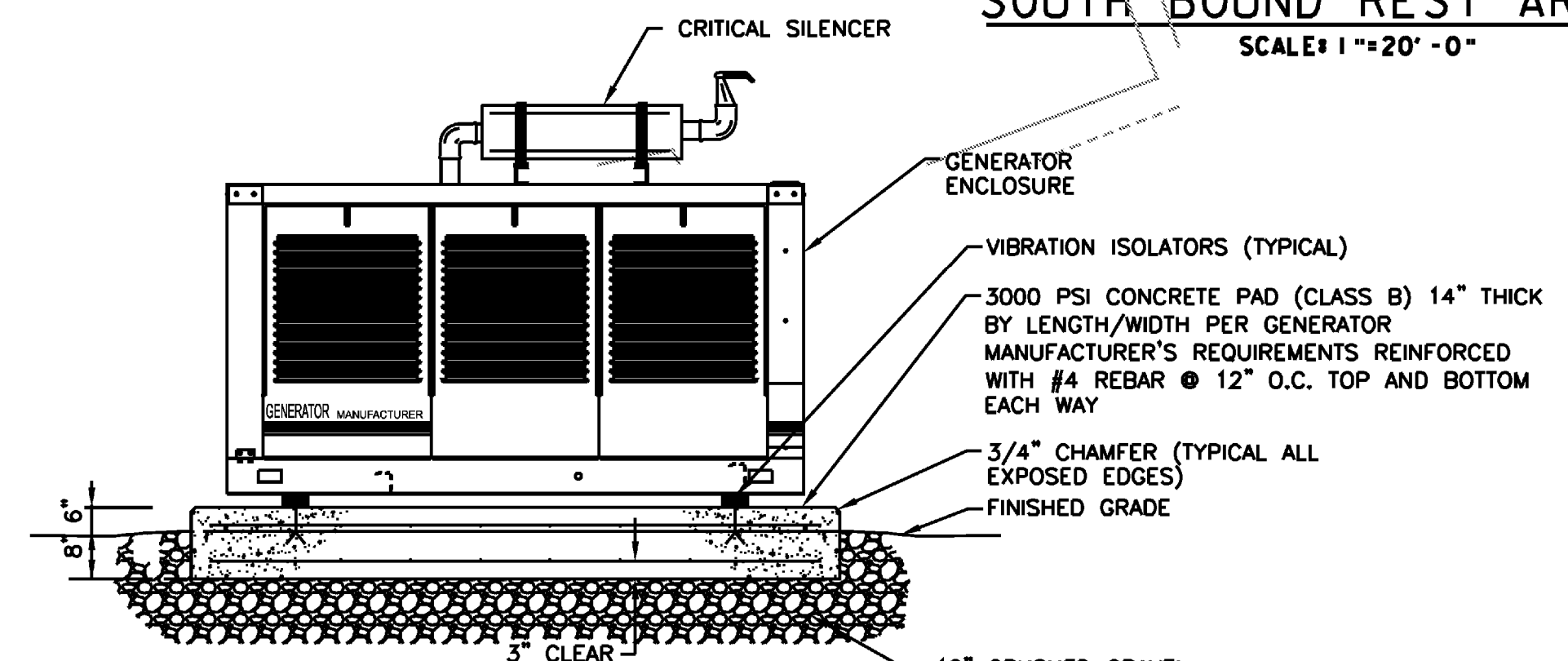
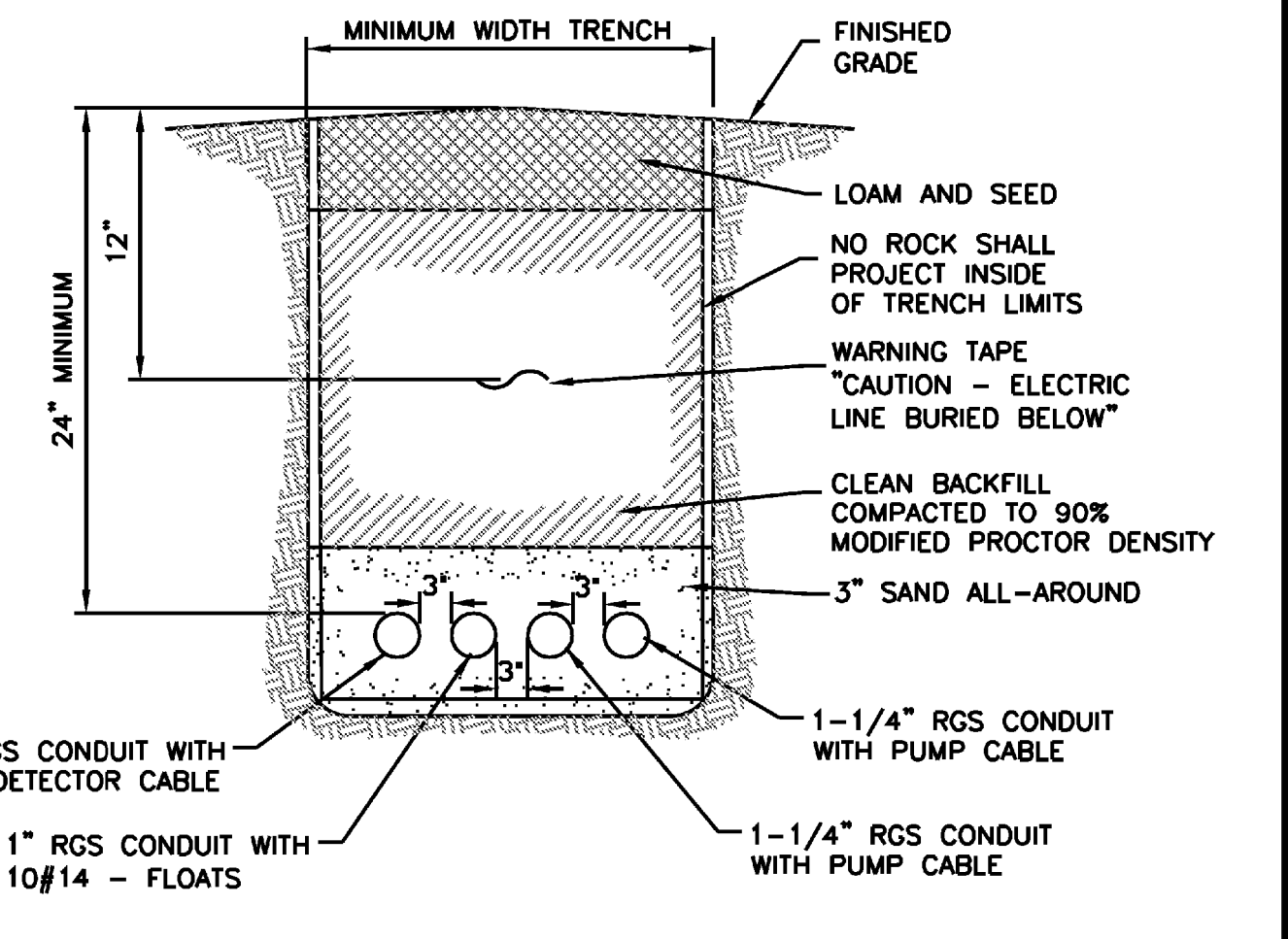
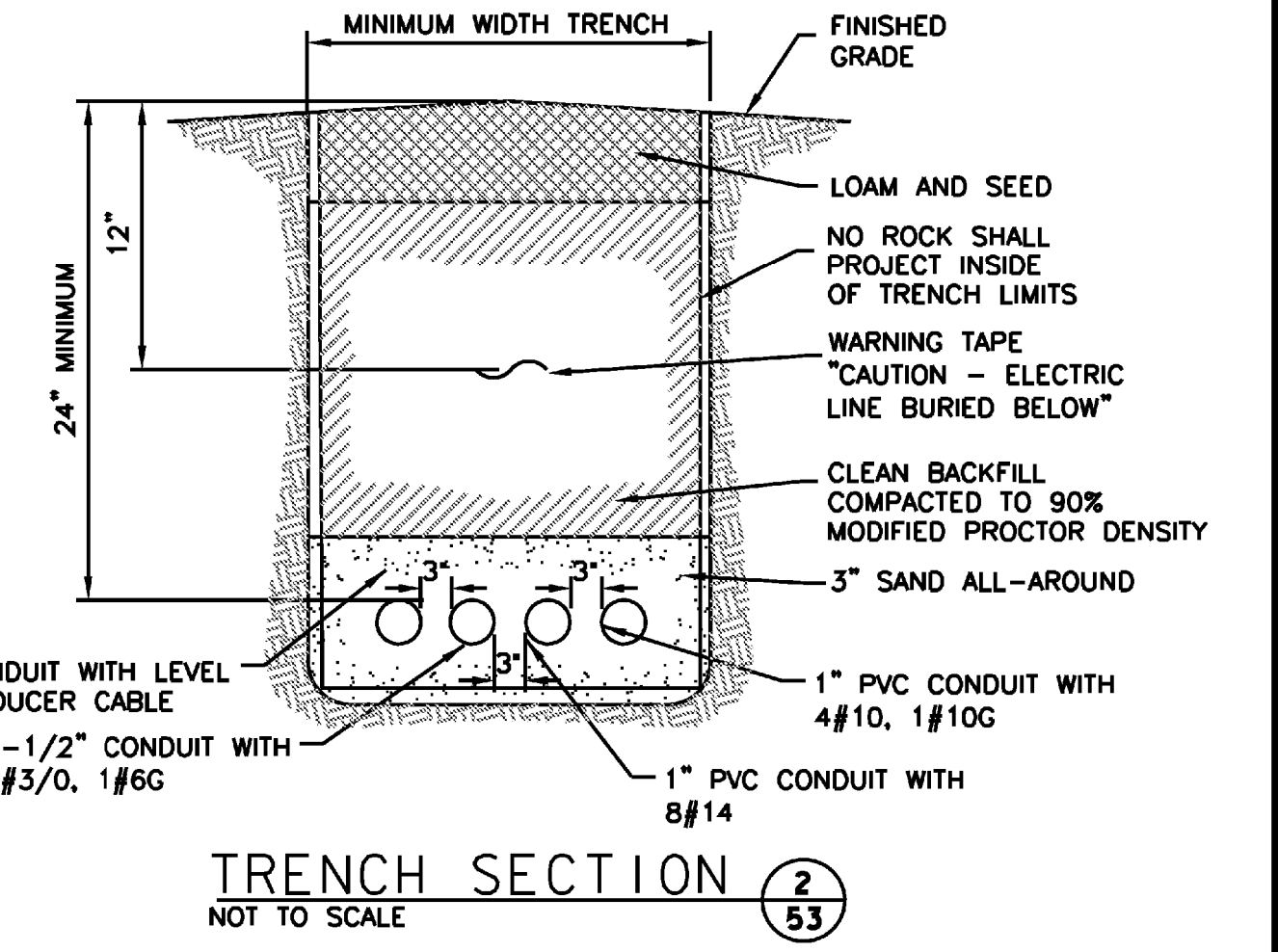


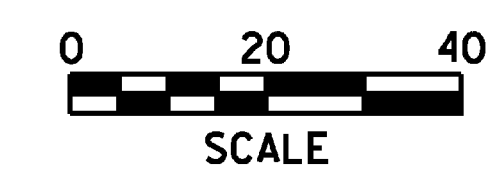
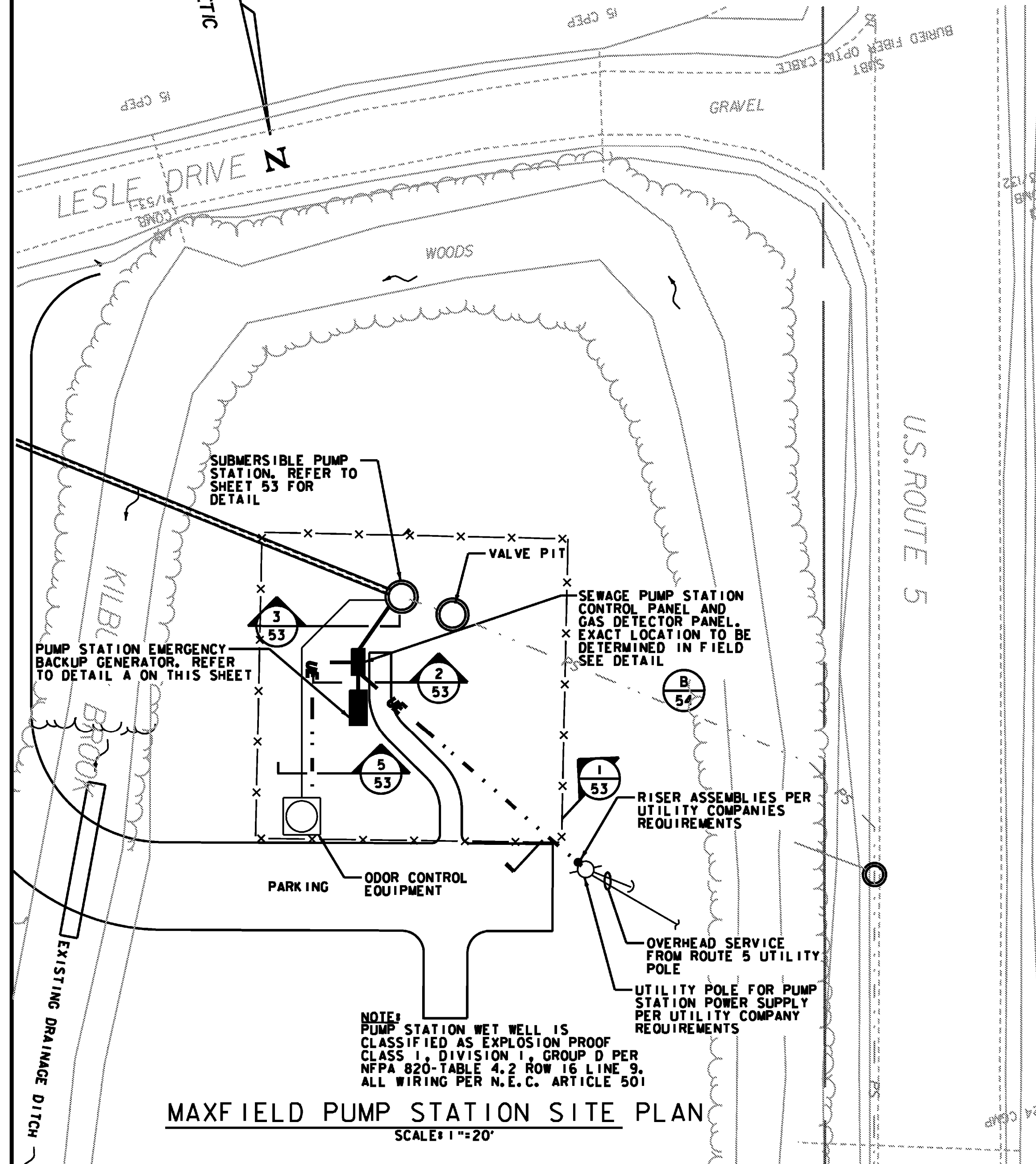
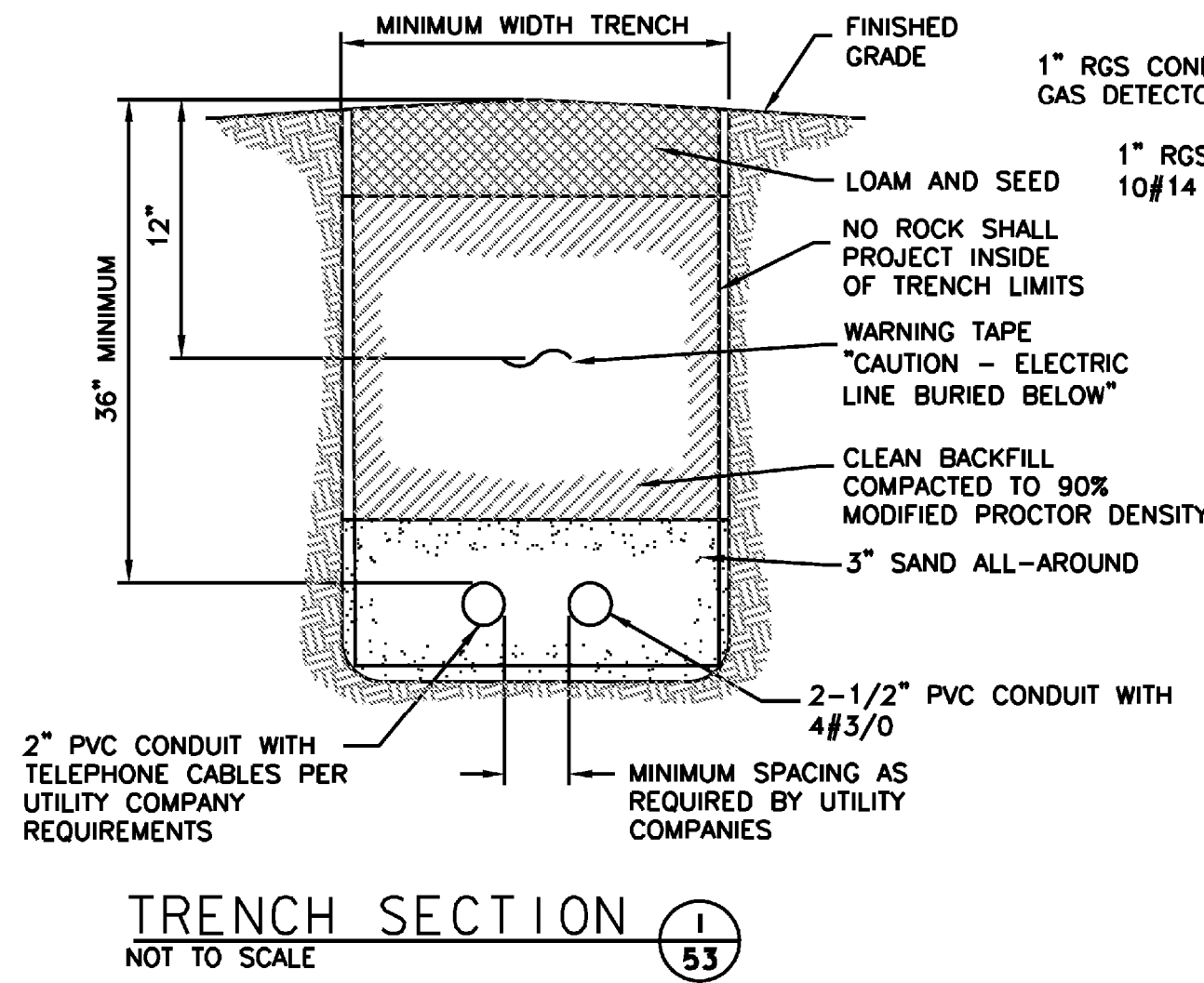
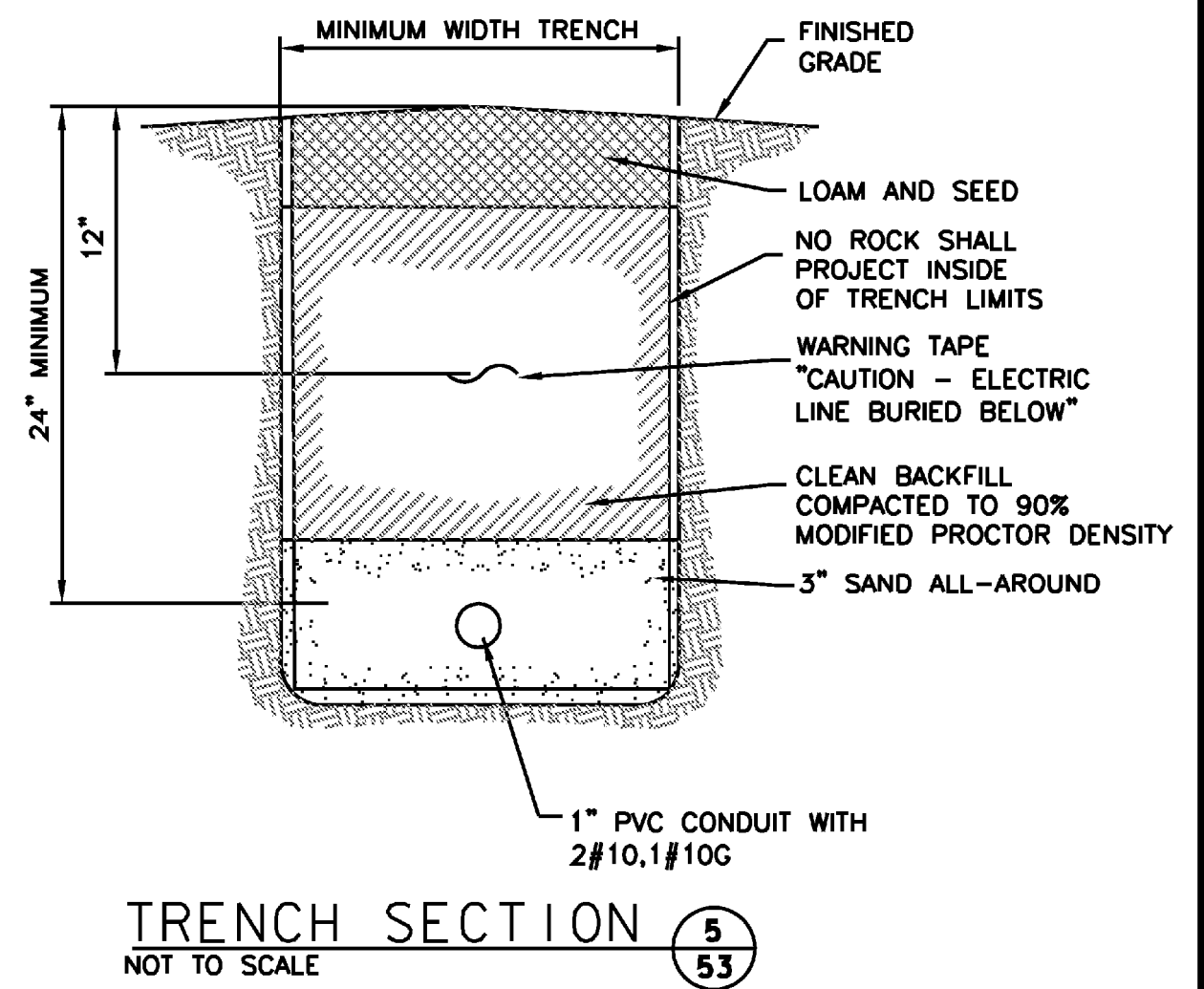
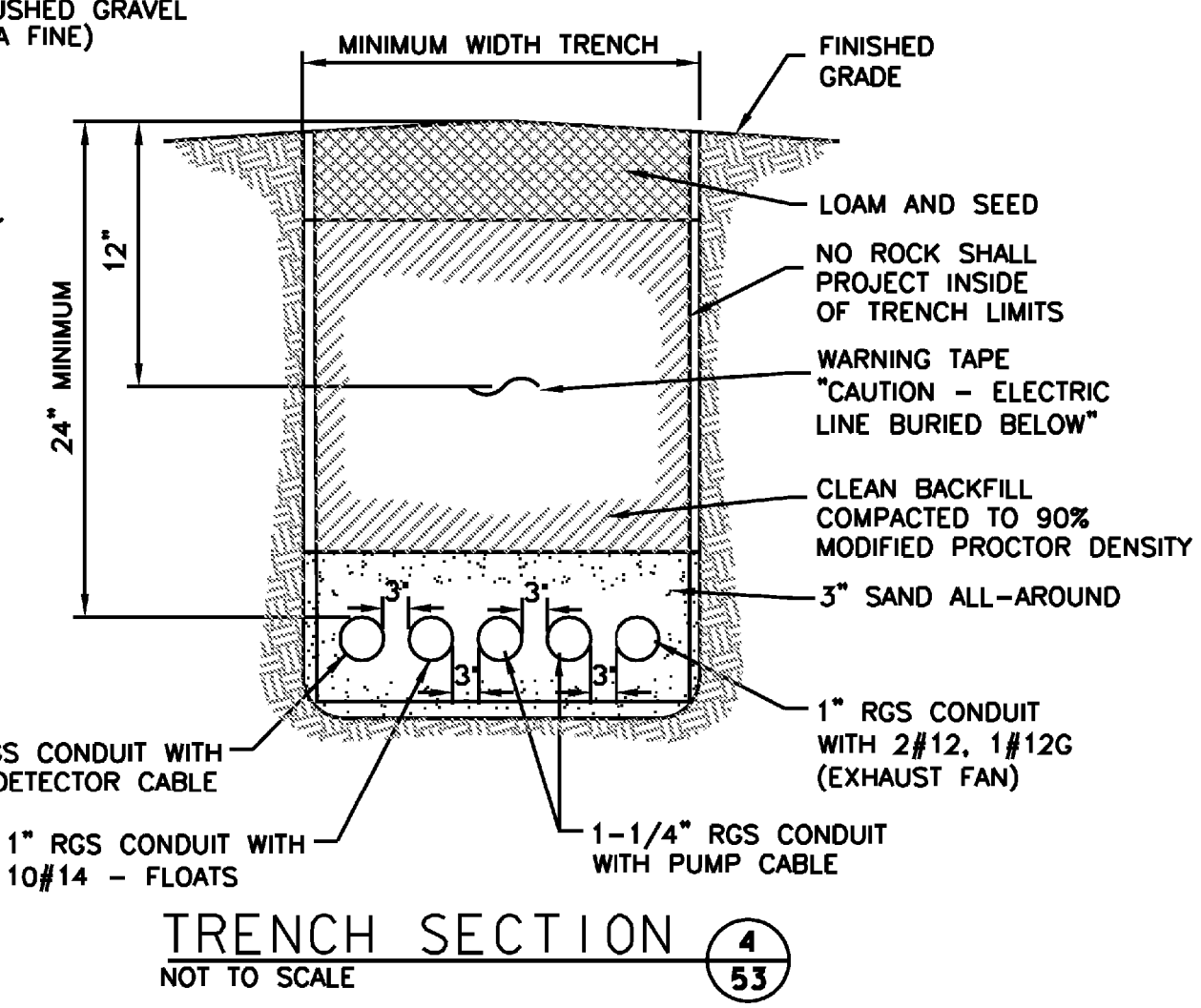
NOTE: PUMP STATION WET WELL IS CLASSIFIED AS CLASS 1, DIVISION 2, GROUP D PER NFPA 820-TABLE 4.2 ROW 11 LINE 8. ALL WIRING PER N.E.C. ARTICLE 501



NOTE: PUMP STATION WET WELL IS CLASSIFIED AS CLASS 1, DIVISION 2, GROUP D PER NFPA 820-TABLE 4.2 ROW 11 LINE 8. ALL WIRING PER N.E.C. ARTICLE 501



NOTES:  
1. PROVIDE 6"x6" WINDOW IN SLAB AND SLIP JOINT AT CONDUIT TERMINATIONS.



PROJECT NAME:	HARTFORD REST AREAS
PROJECT NUMBER:	IM BLDG(10)
FILE NAME:	...u04o026pl1-Elec.SitePlan.dgn
PLOT DATE:	5/19/2008
PROJECT LEADER:	JTM
DRAWN BY:	PZA
DESIGNED BY:	MEHP
CHECKED BY:	JTM
ELECTRICAL PLANS & DETAILS I	SHEET 54 OF 70