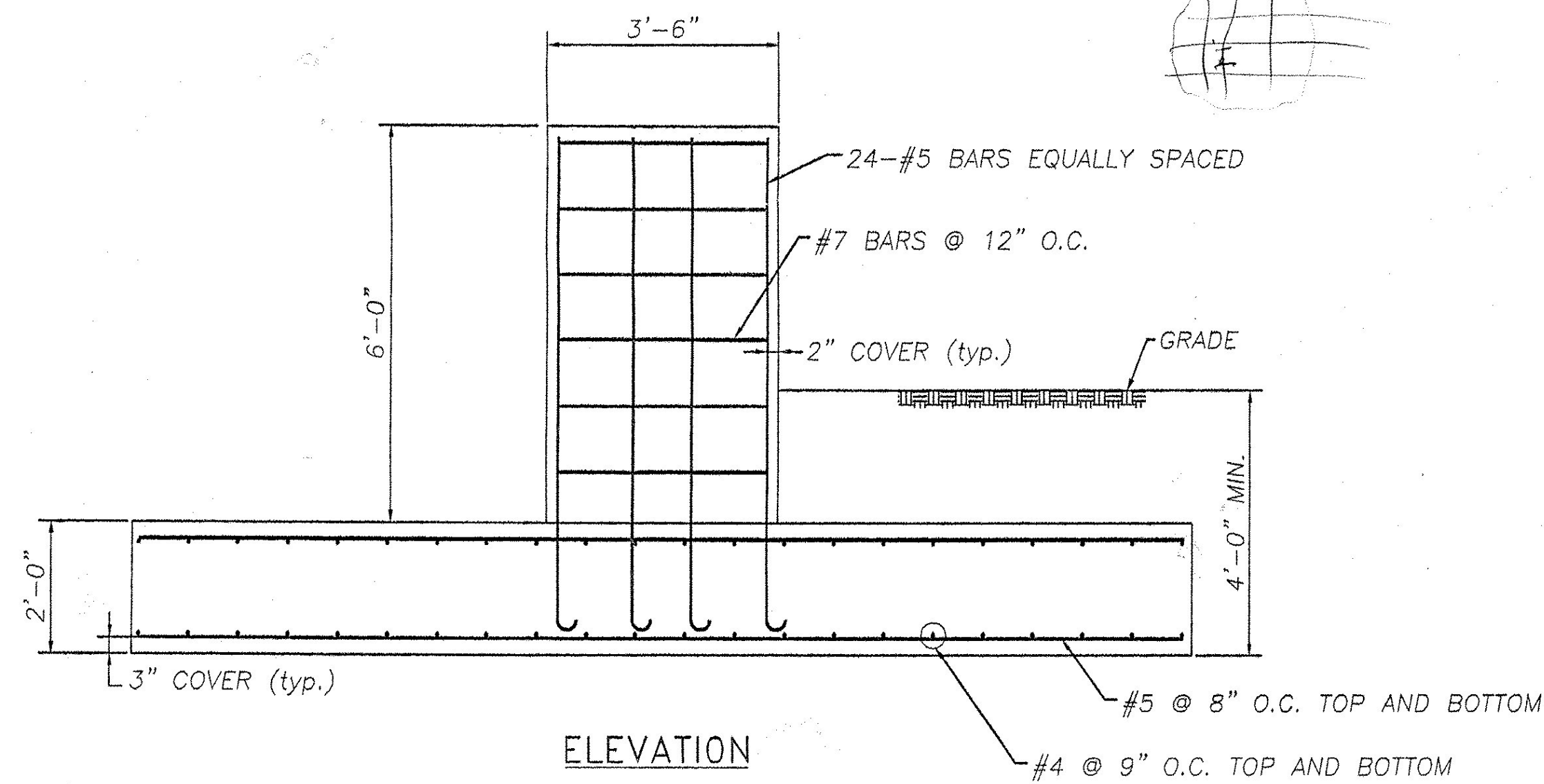


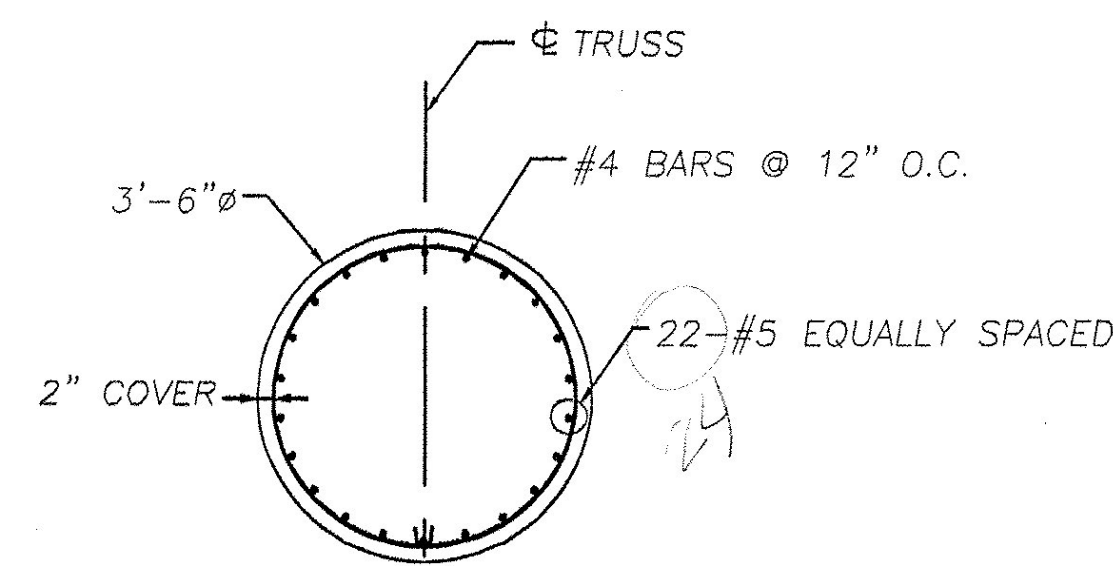
PLAN

REBAR LIST

REBAR	PCS. REQD.	LENGTH
#4	44	12'-0"
#4	6	10'-5"
#5	36	15'-6"
#5 (HOOK ONE END)	24	8'-6"



ELEVATION



PLAN (STEM)

REVISIONS		
No.	Remarks	Date
0	Initial submittal	

RECEIVED  
 OK'D BY \_\_\_\_\_ OK'D BY \_\_\_\_\_  
 SEP 05 2006  
 RESUBMIT \_\_\_\_\_ APPROVED \_\_\_\_\_  
 BY *WJ/SY* DATE *9/6/06*

**HIGHWAY SAFETY CORP.**  
 GLASTONBURY, CT

TRI-CHORD SIGN STRUCTURE  
 I-89 SB EXIT 14W RAMP "C"  
 CHITTENDEN COUNTY, VERMONT  
 CITY OF SOUTH BURLINGTON  
 PROJECT No. ACIM 089-3(37)

DESIGN: MHM  
 CHECKED: \_\_\_\_\_  
 DATE: 8/29/06  
 SCALE: N.T.S.  
 PROJECT REFERENCE NO.: 1557  
 REVISION: 0  
 SUB CONTRACTOR: F.R. LAFAYETTE  
 SHEET NO.: 10 of 10



*F.R. Lafayette*