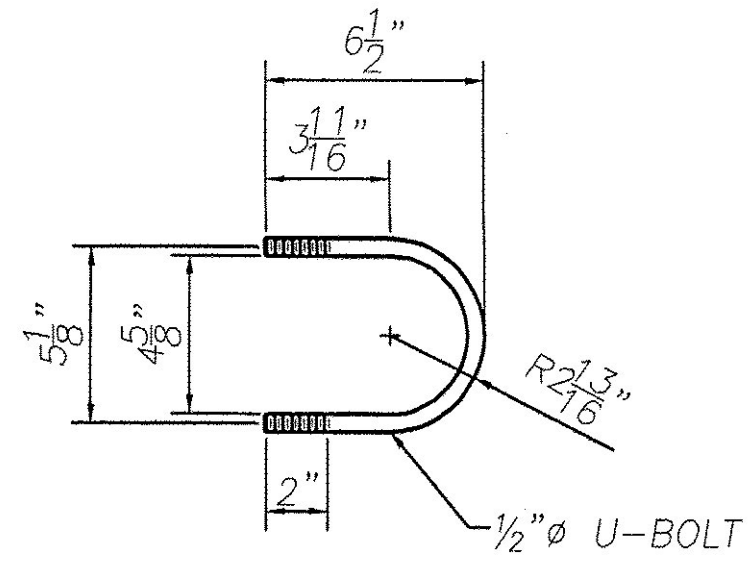
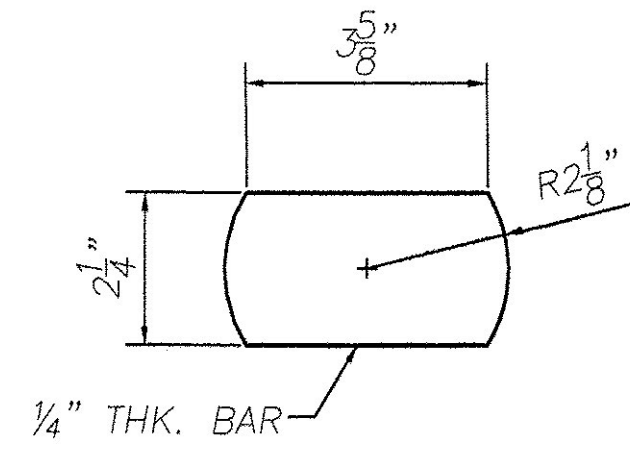


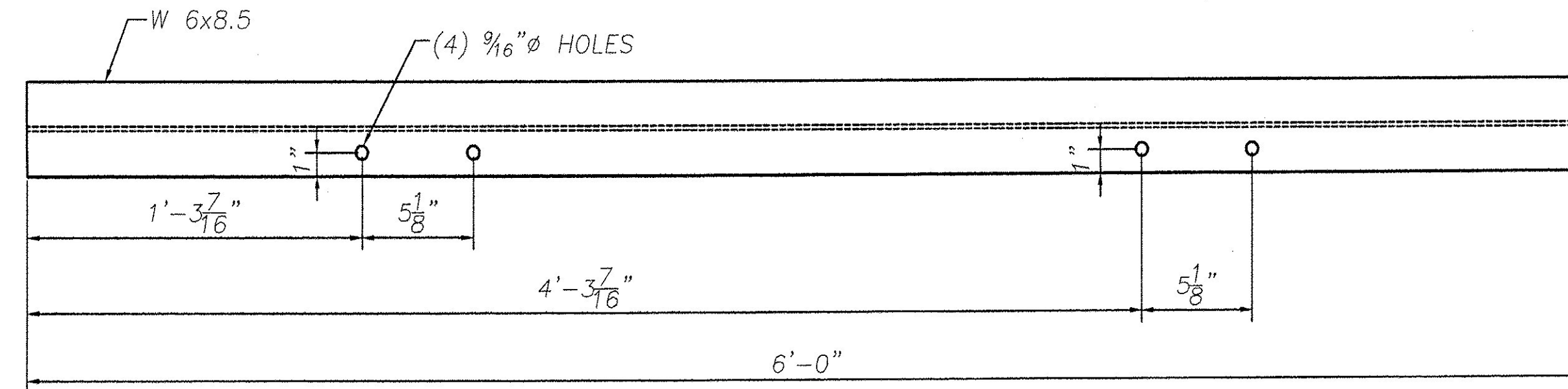
MK-u1



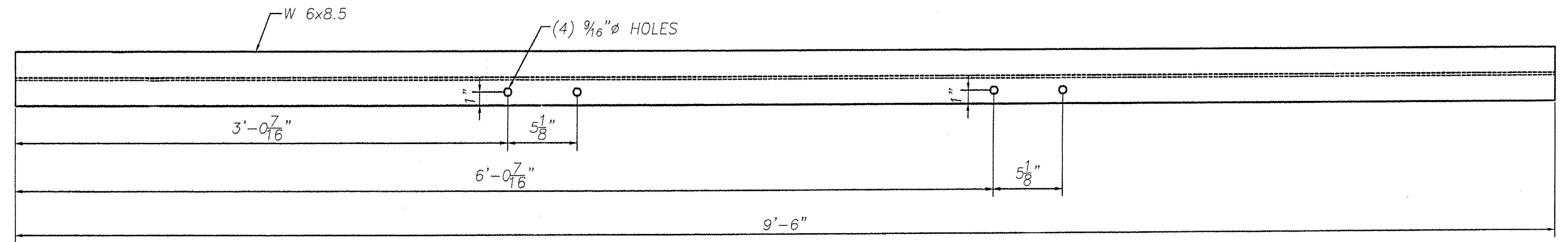
MK-u2



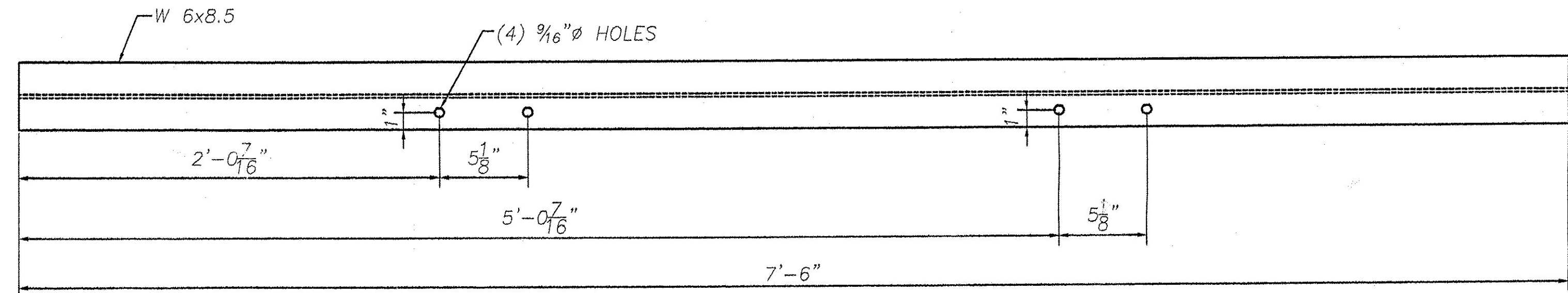
MK-br1



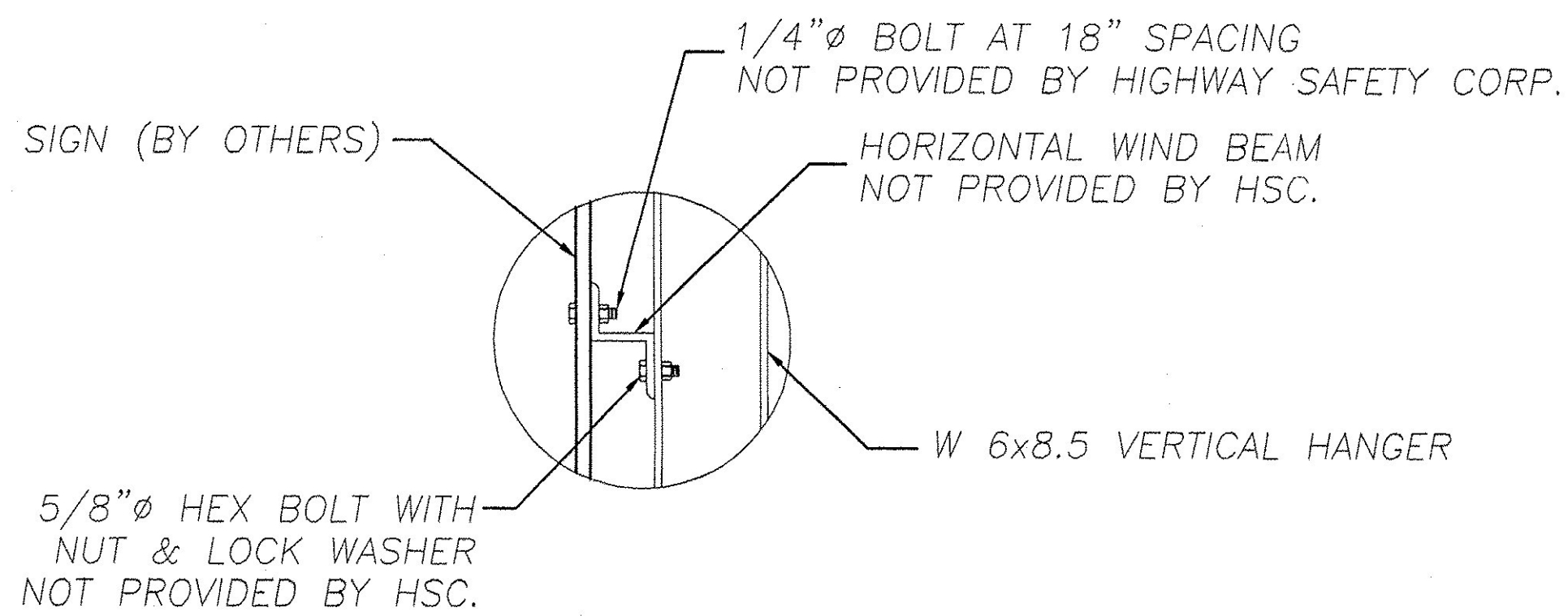
MK-v1



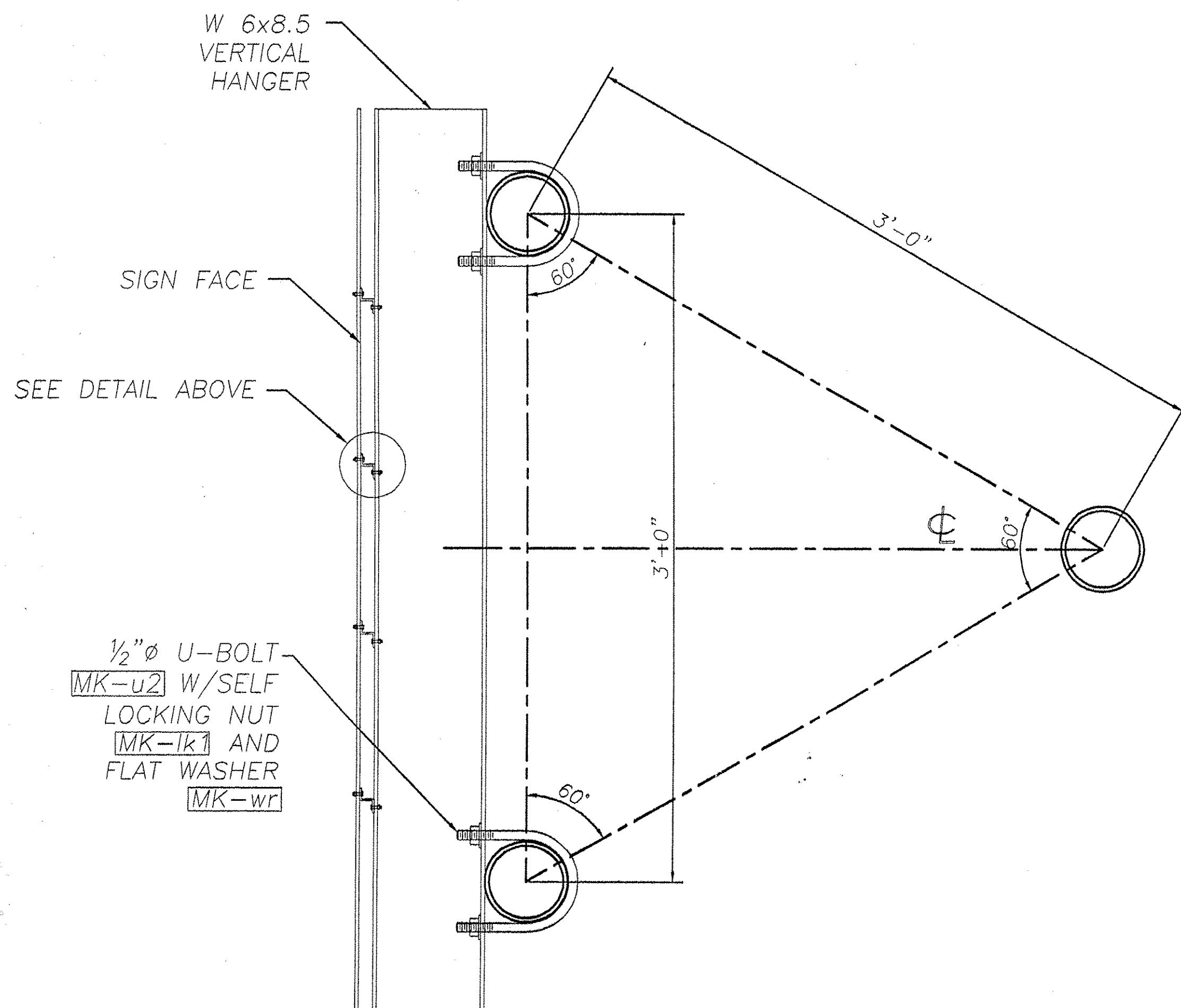
MK-v2



MK-v3

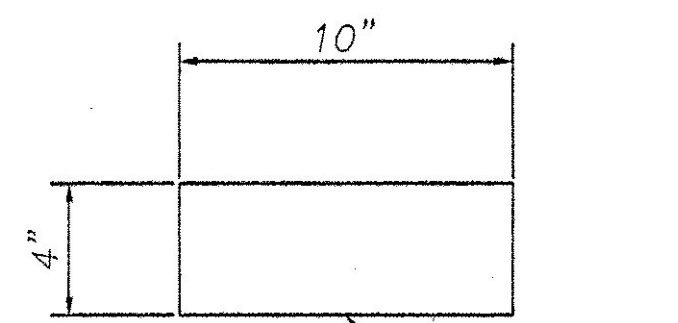


SIGN ATTACHMENT DETAIL

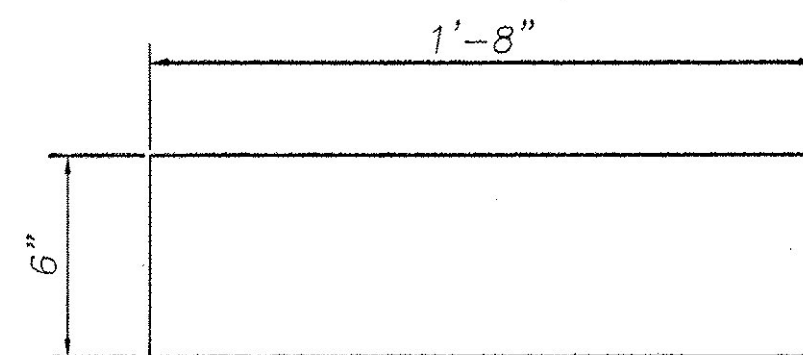


SIGN MOUNTING DETAIL

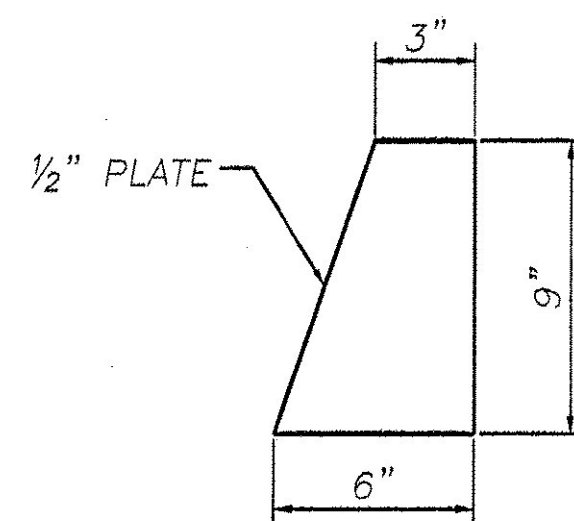
VERTICAL HANGER BEAMS & U-BOLTS INCLUDED



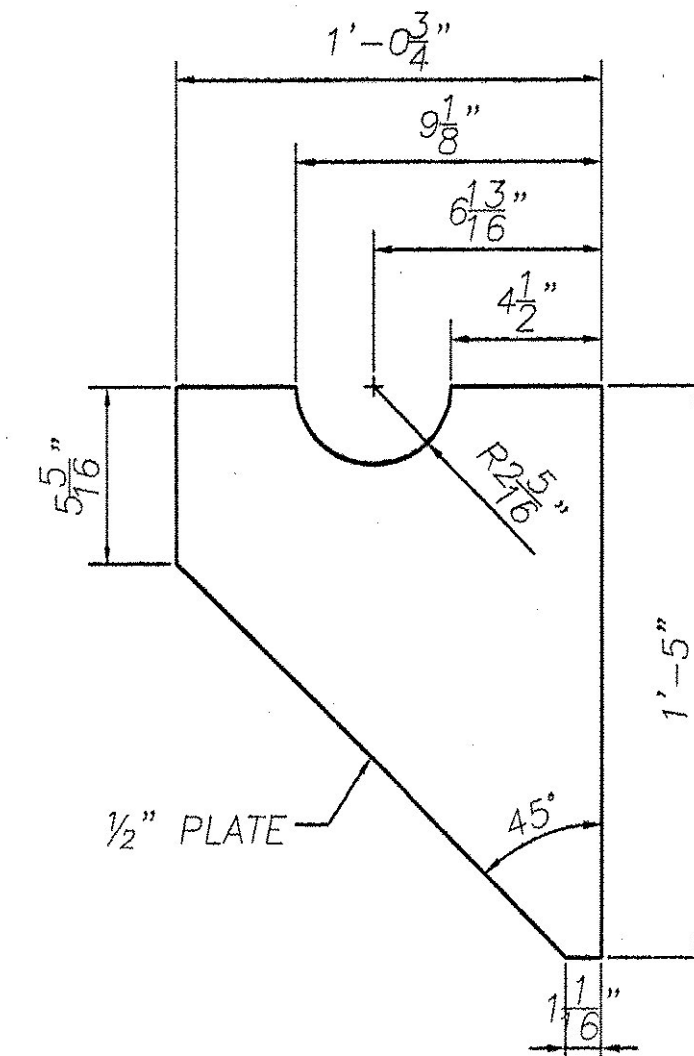
MK-p1



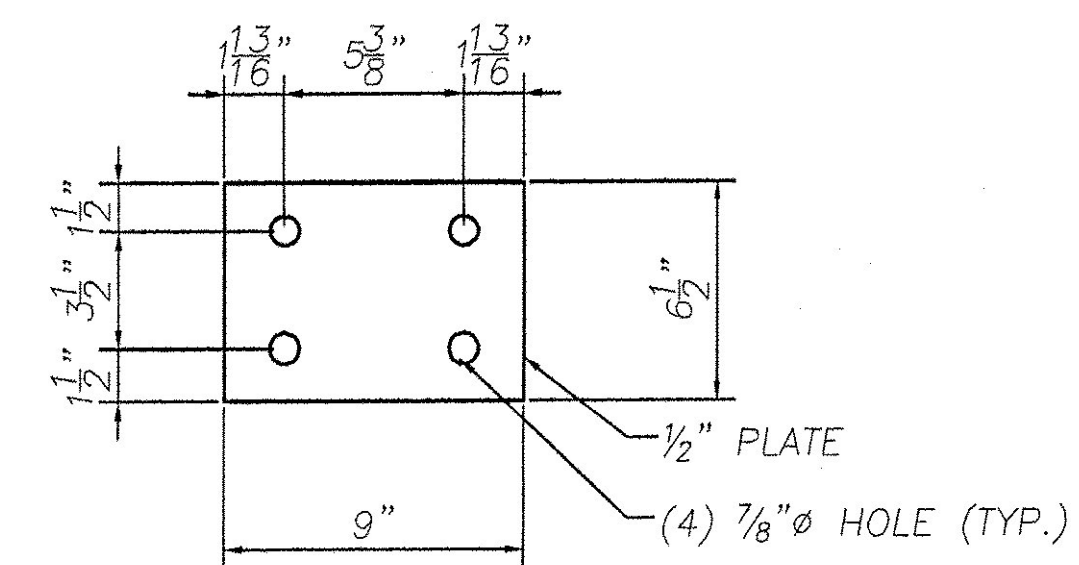
MK-p2



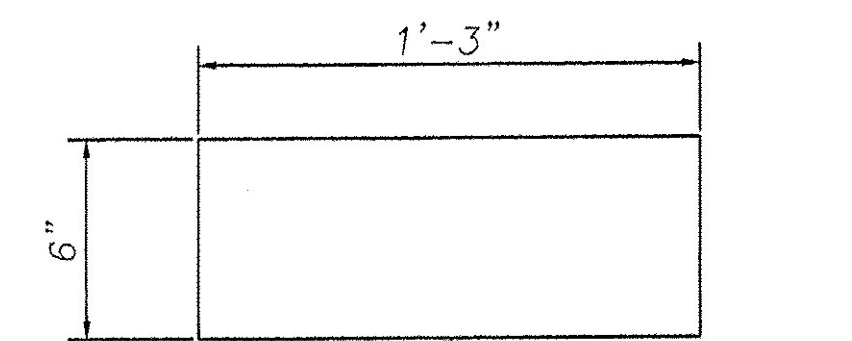
MK-str



MK-p3



MK-p4



MK-p5

REVISIONS		
No.	Remarks	Date
0	Initial submittal	

RECEIVED
 OK'D BY _____ OK'D BY _____
 SEP 05 2006
 RESUBMIT _____ APPROVED _____
 BY WJ/ST DATE 9/14/06

HIGHWAY SAFETY CORP.
 GLASTONBURY, CT

TRI-CHORD SIGN STRUCTURE
 I-89 SB EXIT 14W RAMP "C"
 CHITTENDEN COUNTY, VERMONT
 CITY OF SOUTH BURLINGTON
 PROJECT No. ACIM 089-3(37)

DATE 8/29/06
 SCALE NTS
 SHEET NO. 1557
 8 of 10

GENERAL CONTRACTOR
 F.R. LAFAYETTE

