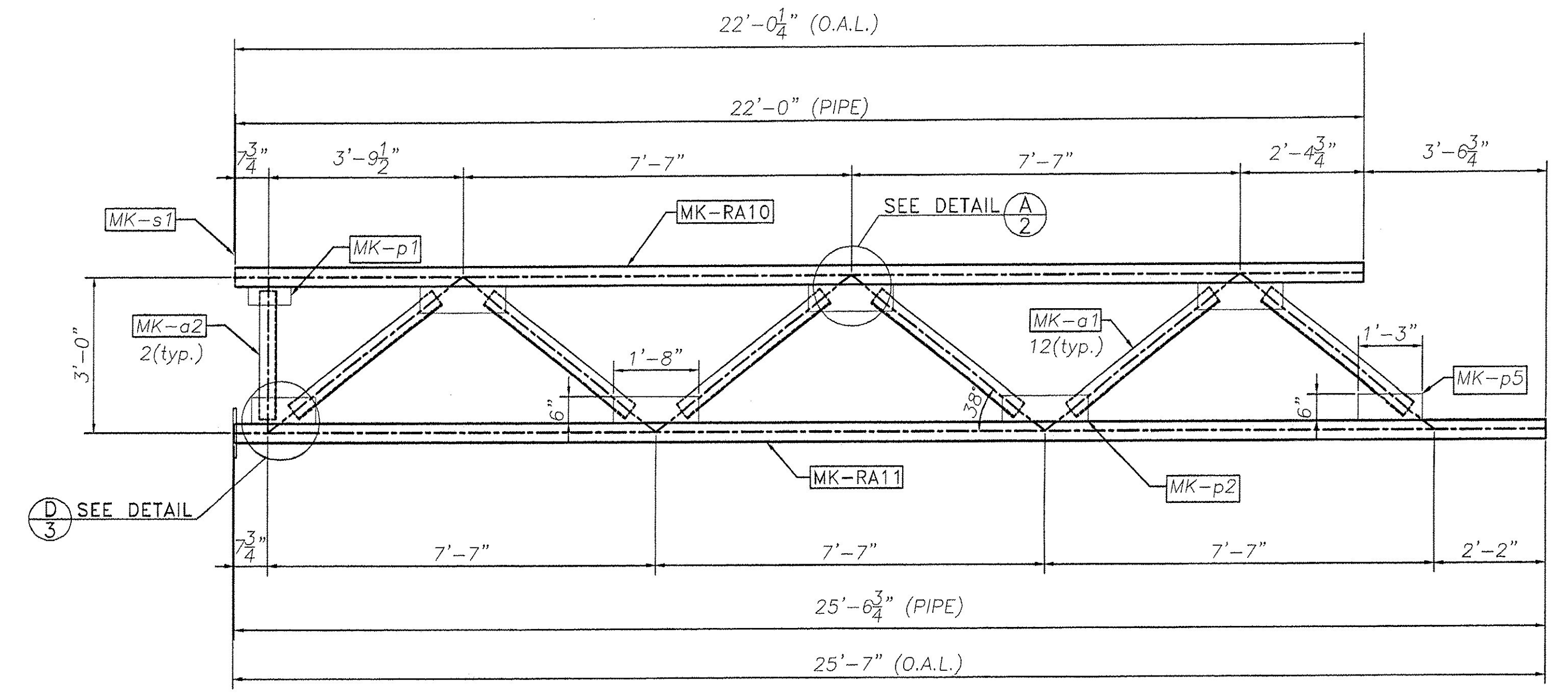
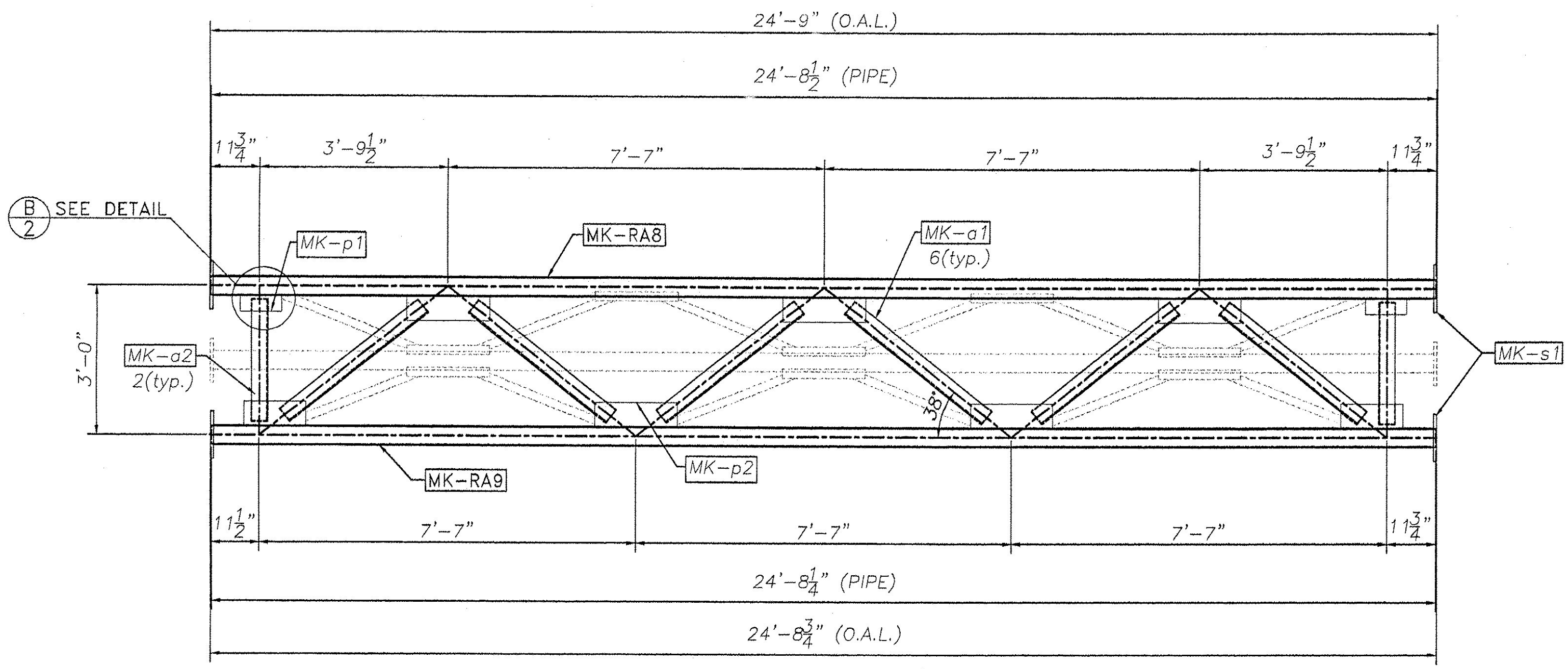


VIEW 3

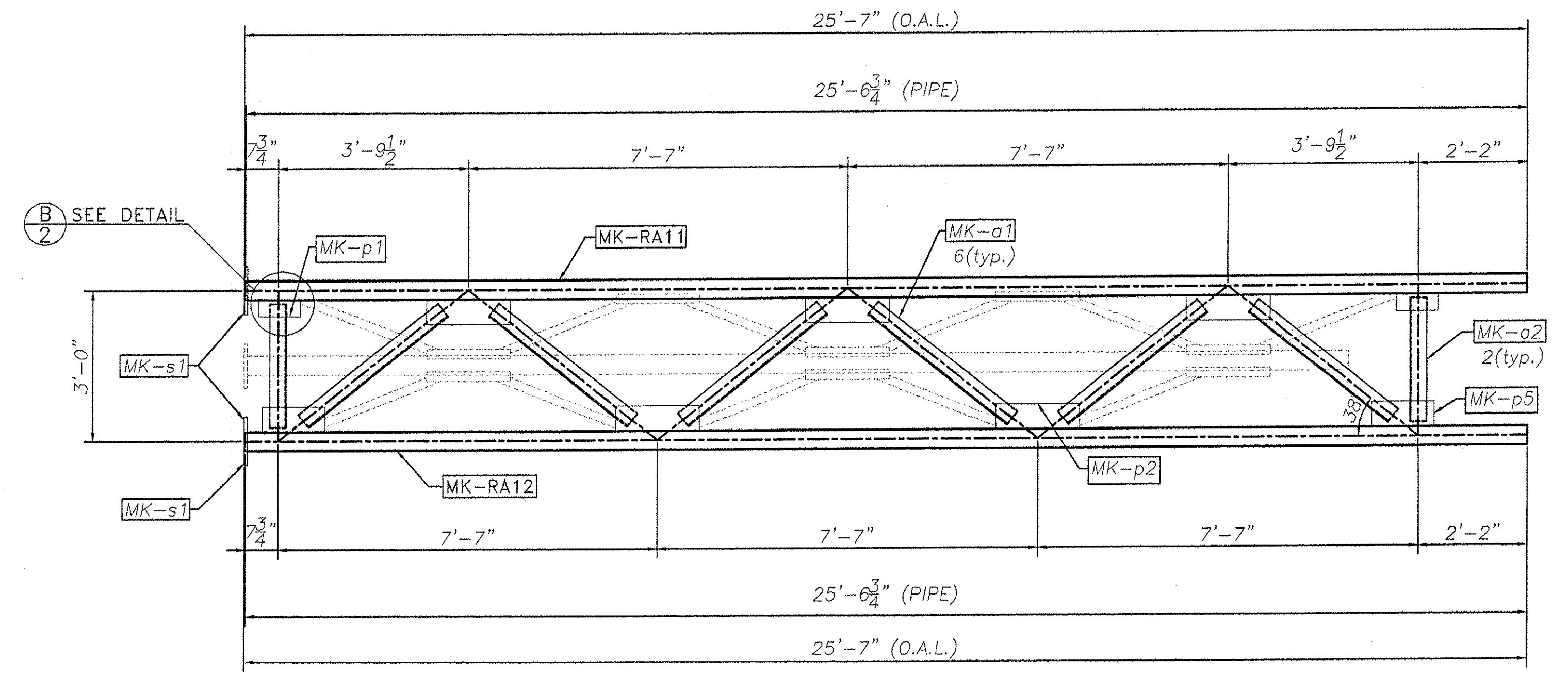


VIEW 4



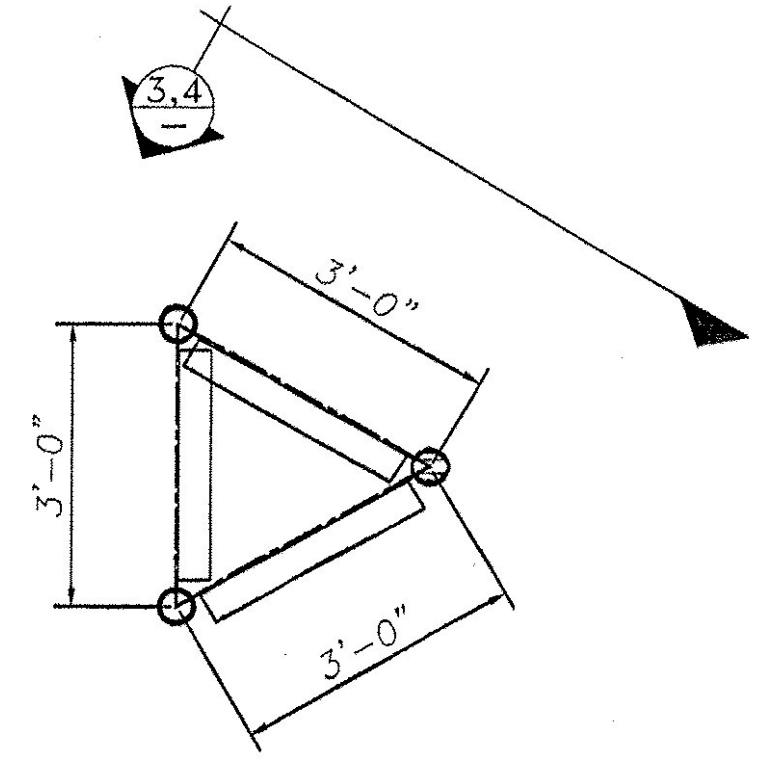
FRONT VIEW  
TRUSS 3

STAMP T3 IN ONE FLANGE



FRONT VIEW  
TRUSS 4

STAMP T4 IN ONE FLANGE



SIDE VIEW



**HIGHWAY SAFETY CORP.**  
GLASTONBURY, CT

TRI-CHORD SIGN STRUCTURE  
I-89 SB EXIT 14W RAMP "C"  
CHITTENDEN COUNTY, VERMONT  
CITY OF SOUTH BURLINGTON  
PROJECT No. ACIM 089-3(37)

GENERAL CONTRACTOR: F.R. LAFAYETTE  
SUB CONTRACTOR: F.R. LAFAYETTE

RECEIVED  
OK'D BY: \_\_\_\_\_  
SEP 05 2006  
RESUBMIT: \_\_\_\_\_  
APPROVED: \_\_\_\_\_  
BY: *WJ* DATE: 9/6/06

REVISIONS		
No.	Remarks	Date
0	Initial submittal	

*R.P. Clem*

DATE: 8/29/06  
SCALE: N.T.S.  
SHEET NO. 4 of 10