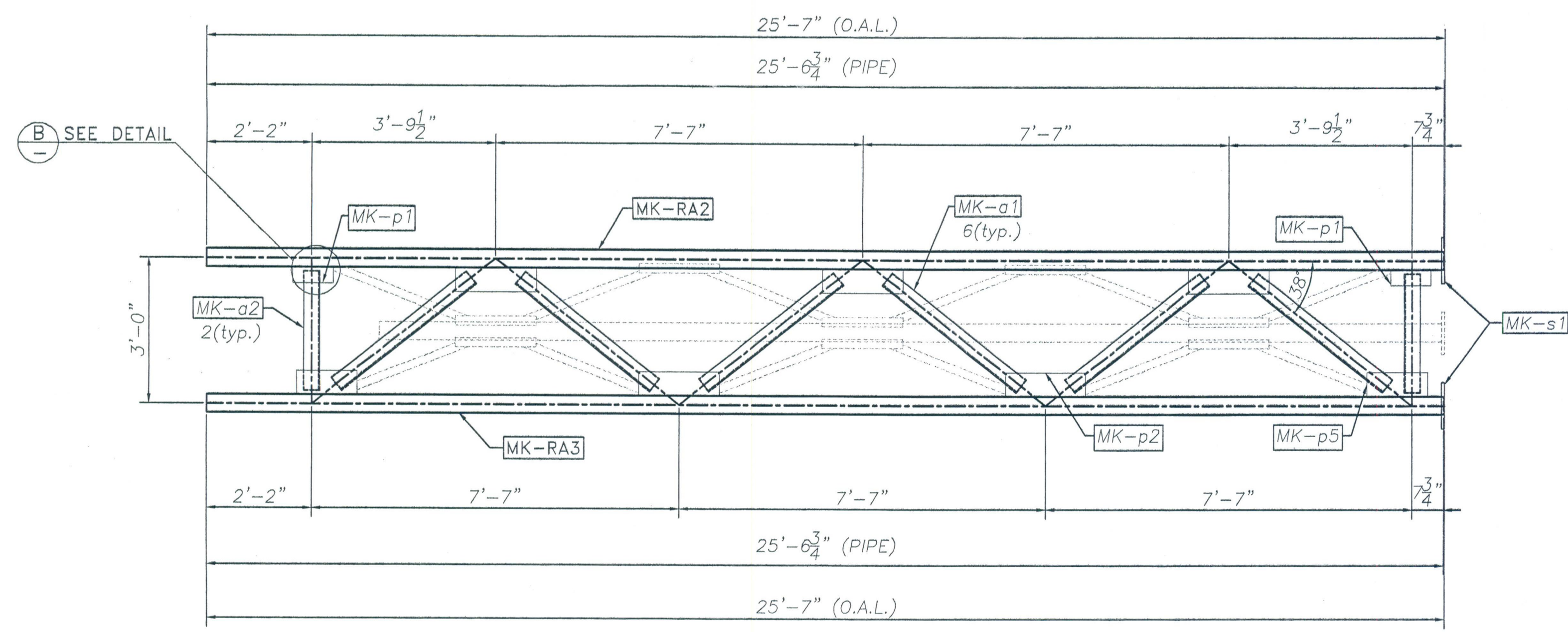
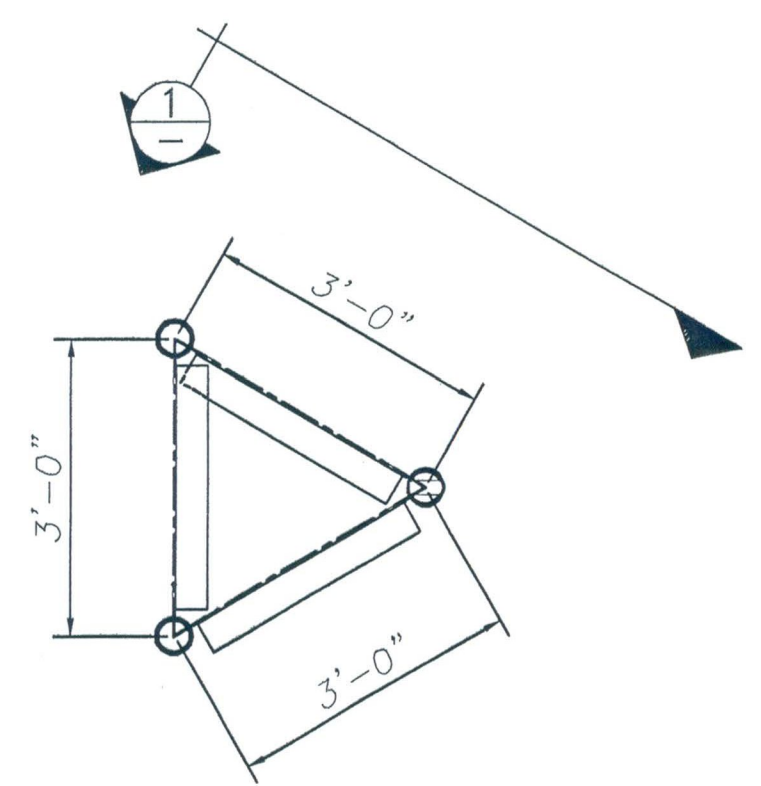


VIEW 1

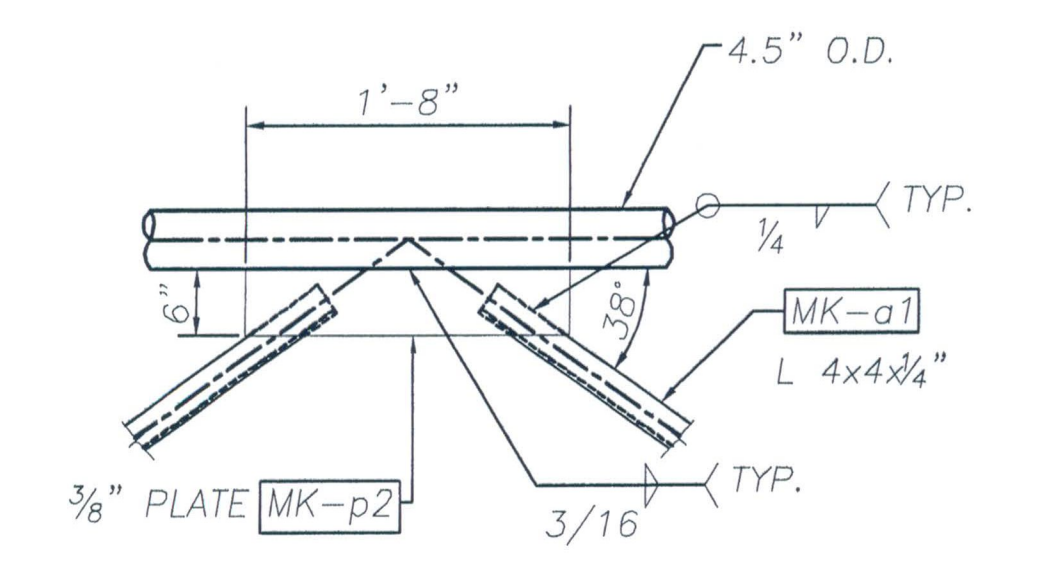


FRONT VIEW
TRUSS 1

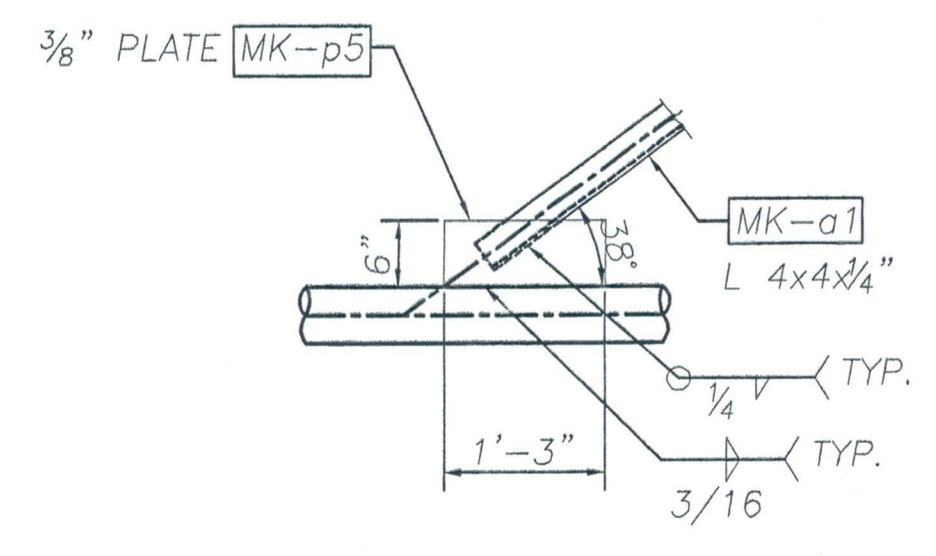
STAMP T1 IN ONE FLANGE



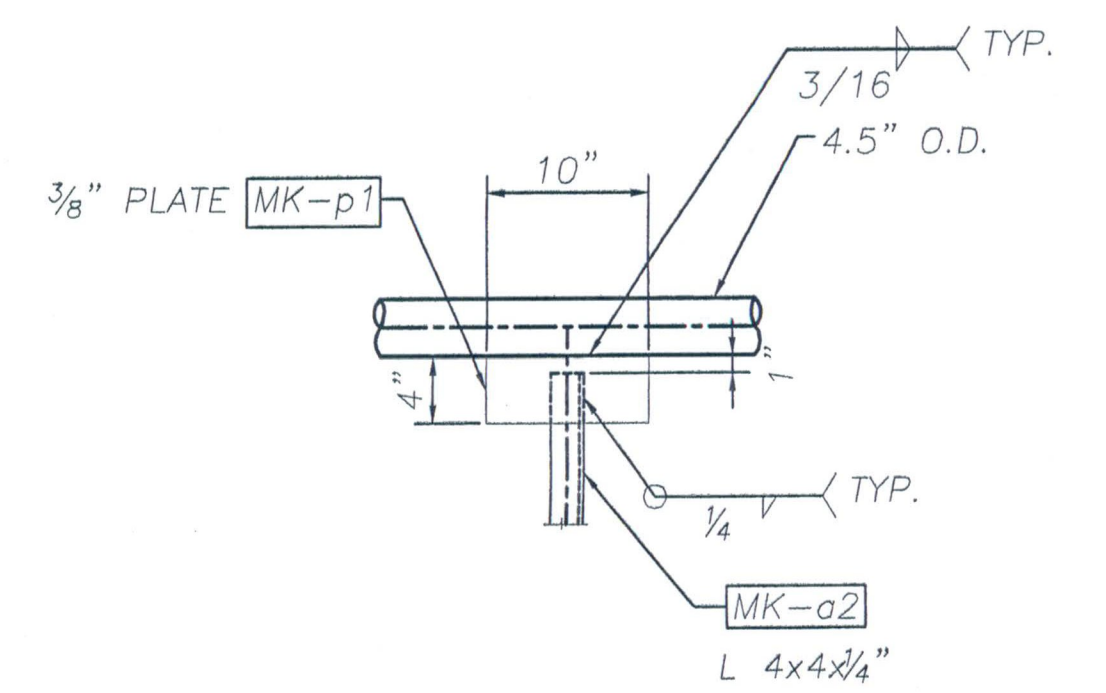
SIDE VIEW



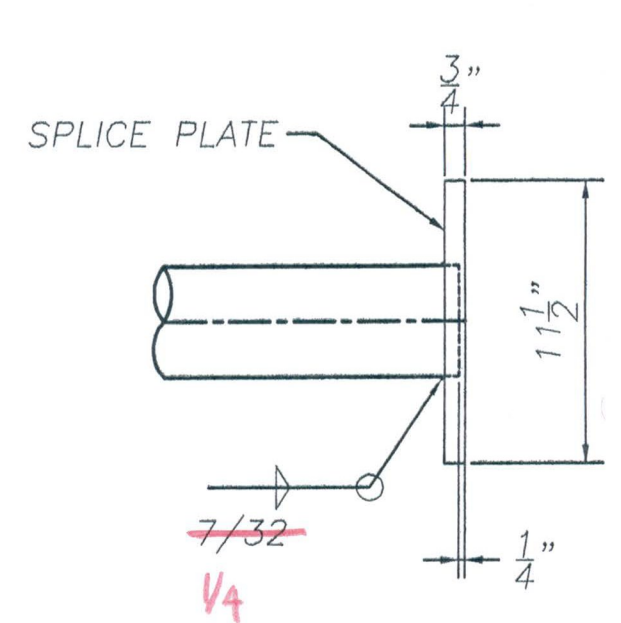
DETAIL "A"



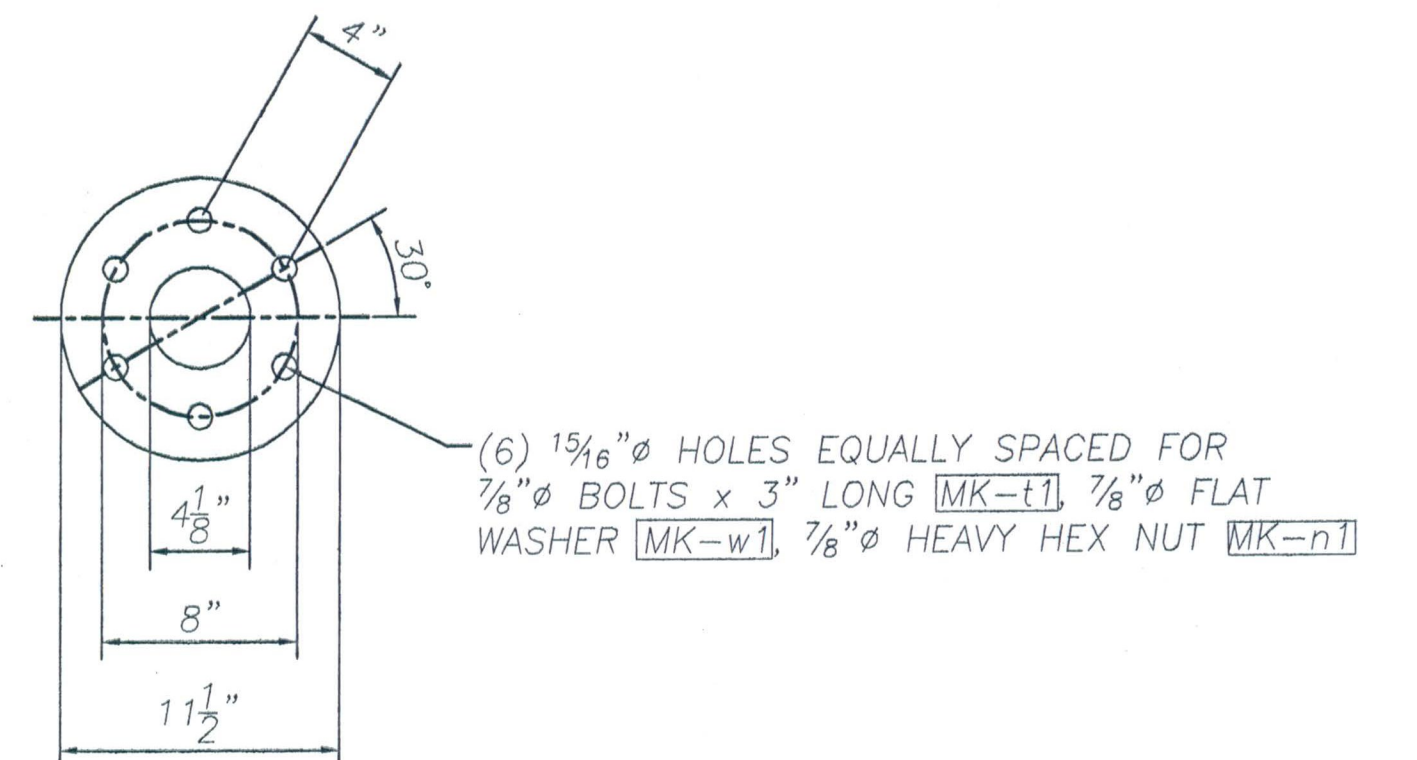
DETAIL "C"



DETAIL "B"



SPLICE DETAIL



NOTES:

1. PRIOR TO GALVANIZING, ALL CORNERS AND EDGES OF STEEL PLATES, SHAPES, ETC., SHALL BE GROUND TO A 1/8 INCH RADIUS.
2. SEAL WELD ALL CONNECTIONS WHEN POSSIBLE.



HIGHWAY SAFETY CORP.
GLASTONBURY, CT

TRI-CHORD SIGN STRUCTURE
I-89 SB EXIT 14W RAMP "C"
CHITTENDEN COUNTY, VERMONT
CITY OF SOUTH BURLINGTON
PROJECT No. ACIM 089-3(37)

DESIGNER: MHM
DATE: 8/29/06
SCALE: N.T.S.
GENERAL CONTRACTOR: F.R. LAFAYETTE
SUB CONTRACTOR: F.R. LAFAYETTE

RECEIVED
OK'D BY: _____
SEP 05 2006
APPROVED: *As Noted*
DATE: 9/6/06

REVISIONS		
No.	Remarks	Date
0	Initial submittal	

Handwritten signature