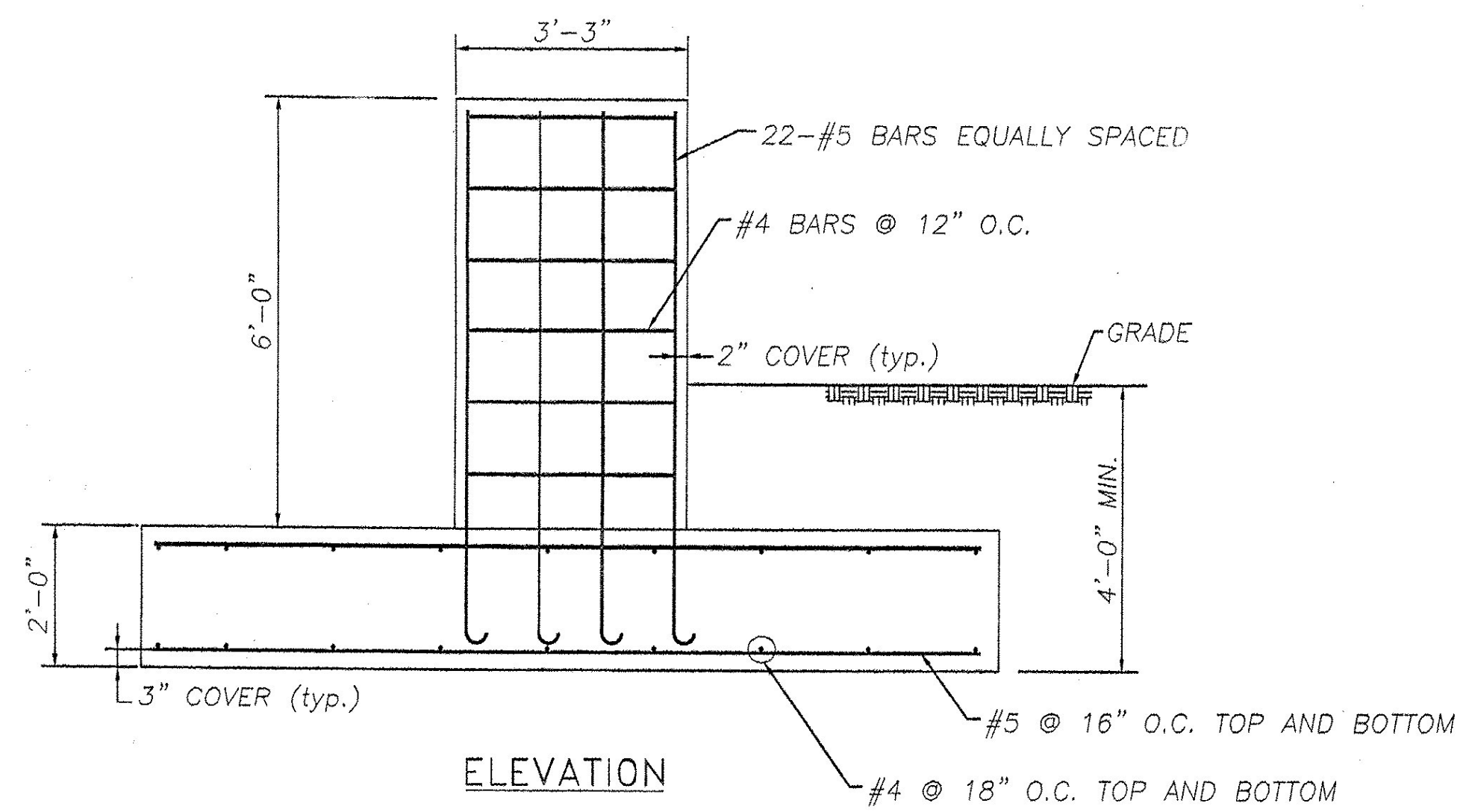
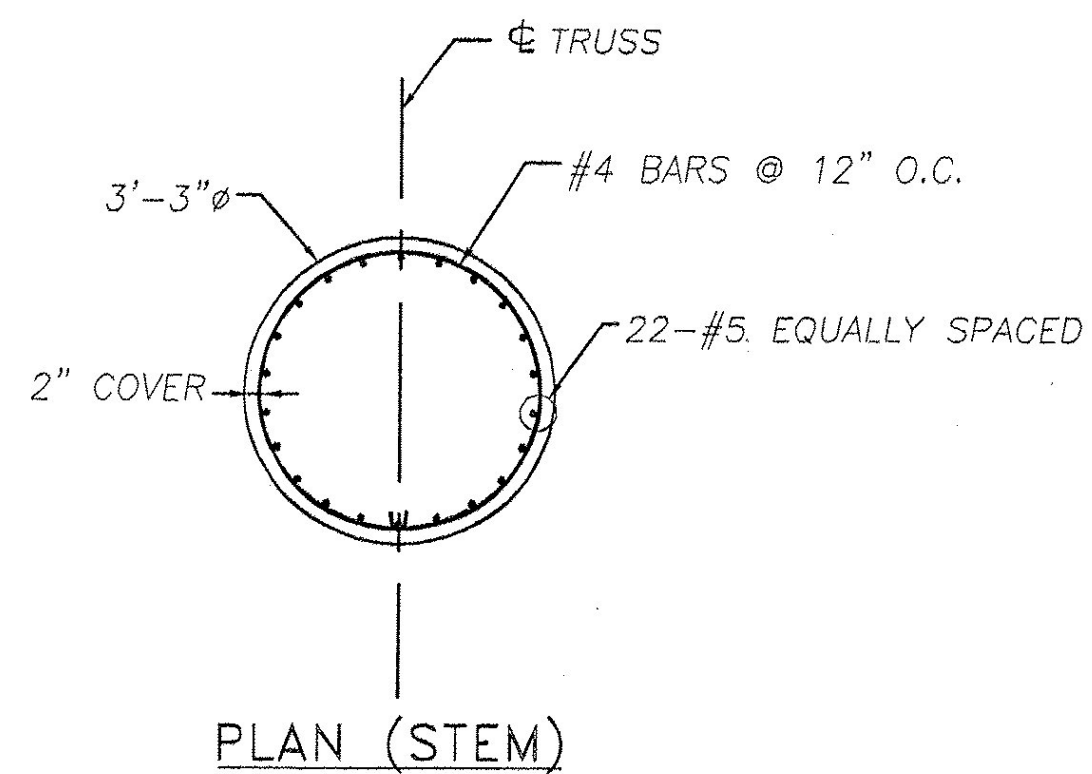


PLAN



ELEVATION



PLAN (STEM)

REBAR LIST

REBAR	PCS. REQD.	LENGTH
#4	18	9'-6"
#4	6	10'-5"
#5	12	11'-6"
#5 (HOOK ONE END)	22	8'-6"

REVISIONS		
No.	Remarks	Date
0	Initial submittal	

RECEIVED
 CK'D BY _____ OK'D BY _____
 SEP 05 2006
 RESUBMIT _____ APPROVED
 BY *WJ* DATE 9/6/06

WJ



HIGHWAY SAFETY CORP.
 GLASTONBURY, CT

TRI-CHORD SIGN STRUCTURE
 1-89 SB EXIT 14W RAMP "C"
 CHITTENDEN COUNTY, VERMONT
 CITY OF SOUTH BURLINGTON
 PROJECT No. ACIM 089-3(37)

DESIGN: MHM
 CHECKED: _____
 DATE: 8/29/06
 SCALE: N.T.S.
 HSC REFERENCE NO.: 1558
 GENERAL CONTRACTOR: _____
 SUB CONTRACTOR: F.R. LAFAYETTE

SIZE: D REVISION: 0
 SHEET NO.: 8 of 8