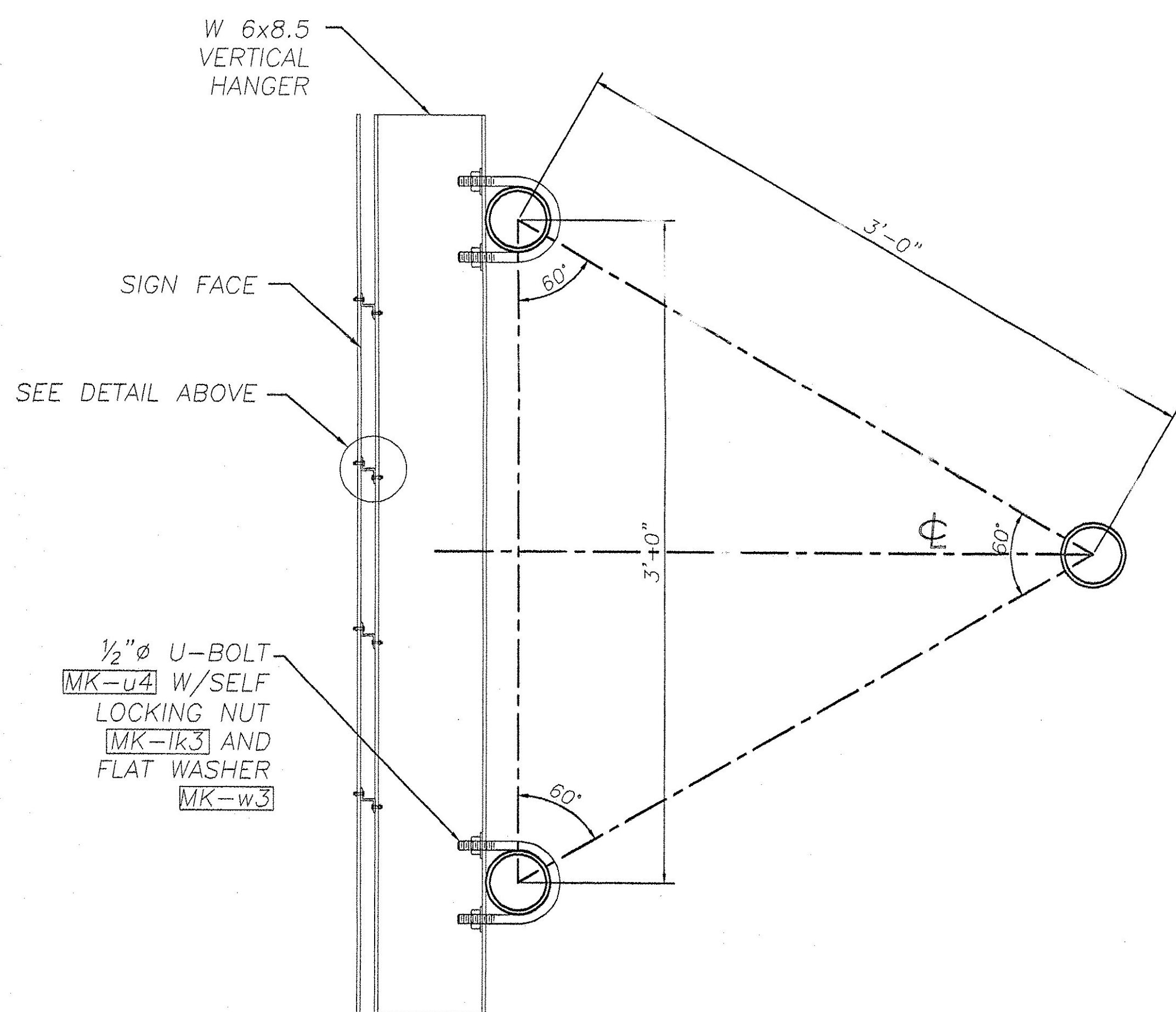
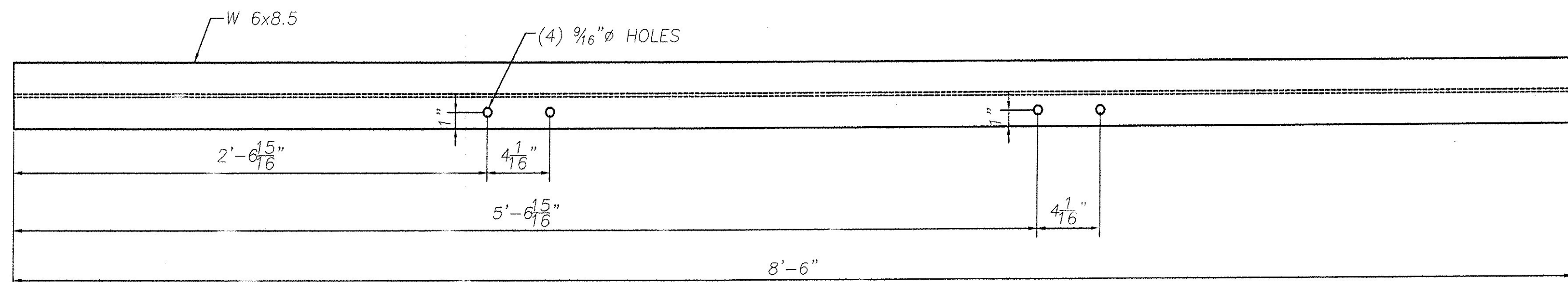


SIGN ATTACHMENT DETAIL

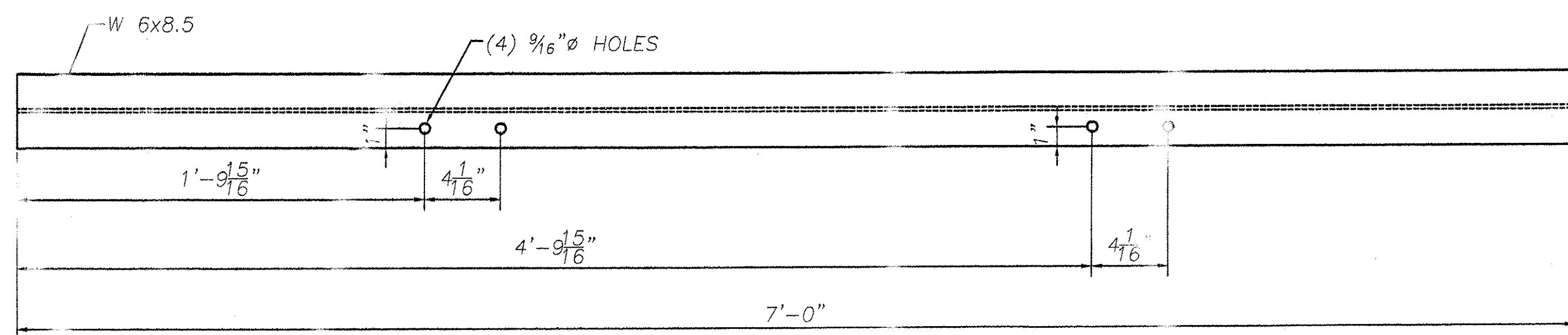


SIGN MOUNTING DETAIL

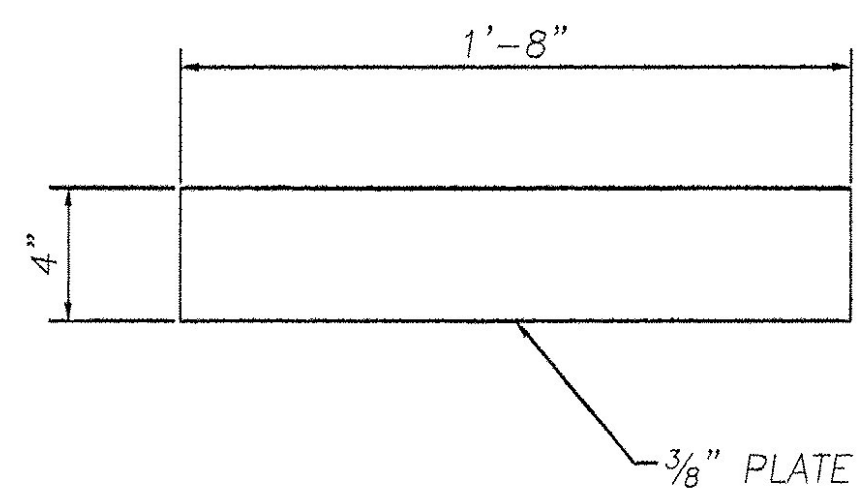
VERTICAL HANGER BEAMS & U-BOLTS INCLUDED



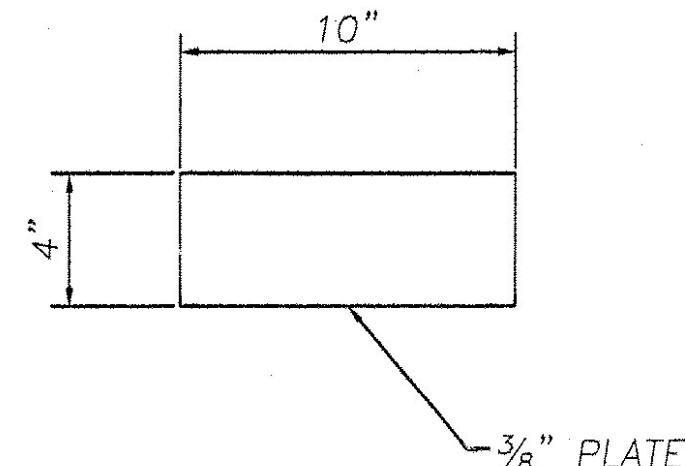
MK-v4



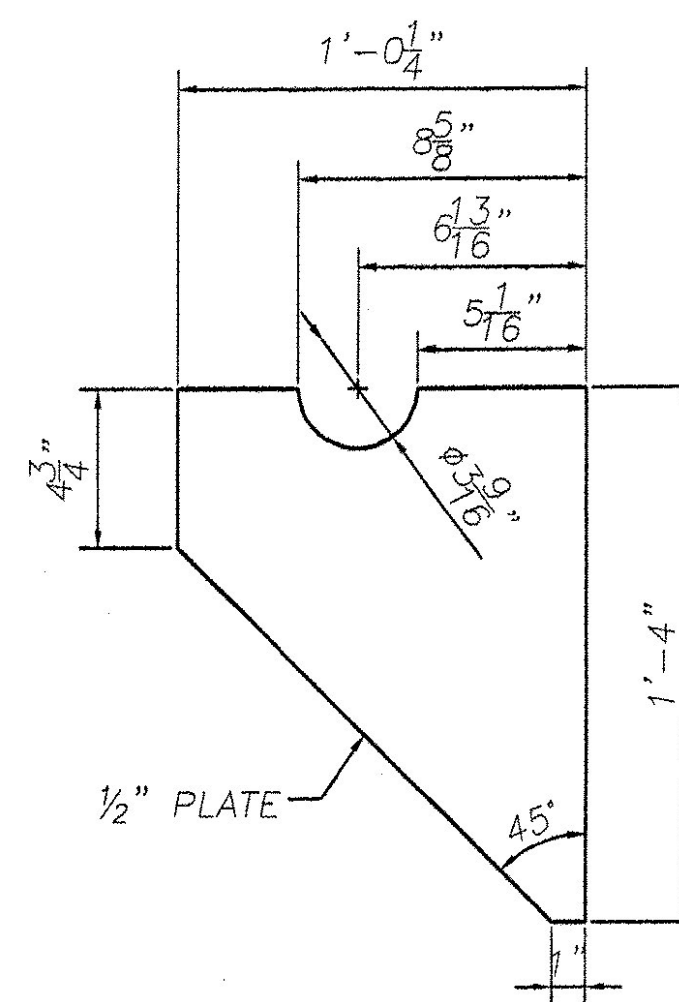
MK-v5



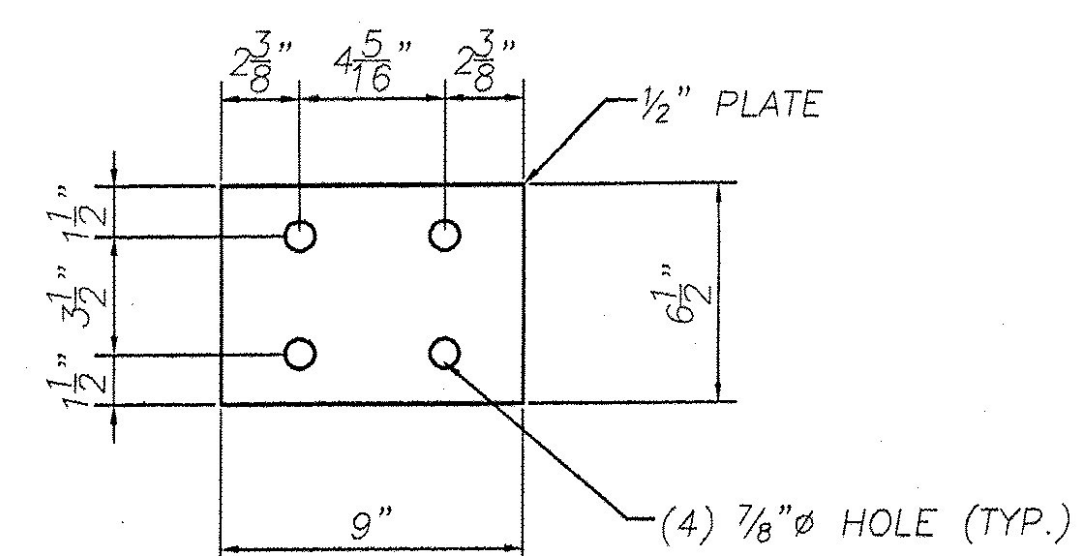
MK-p6



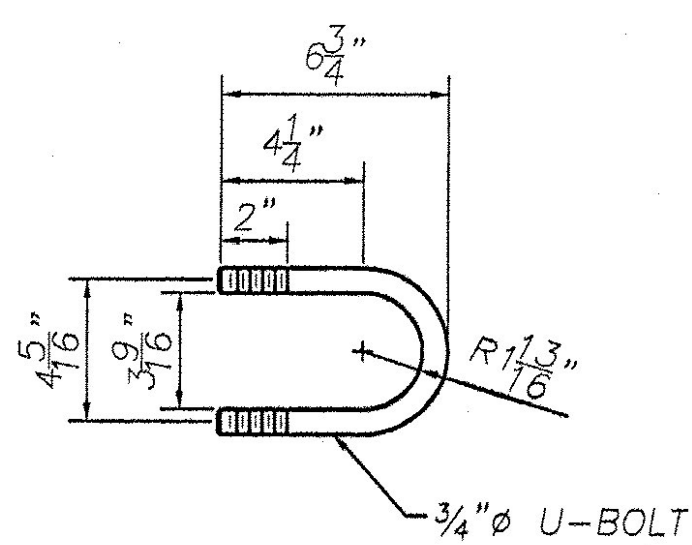
MK-p5



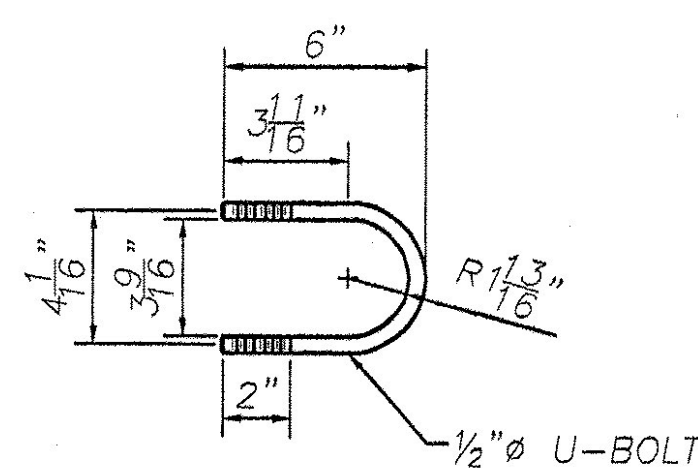
MK-p7



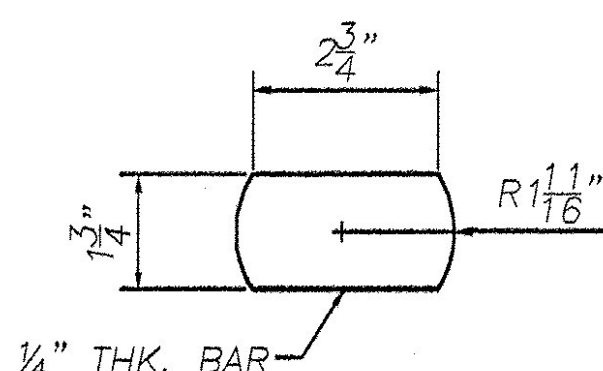
MK-p8



MK-u3



MK-u4



MK-br5

REVISIONS		
No.	Remarks	Date
0	Initial submittal	

RECEIVED
 OK'D BY _____ OK'D BY _____
 SEP 05 2006
 RESUBMIT _____ APPROVED _____
 BY *WJ* DATE *9/6/06*

2030



HIGHWAY SAFETY CORP.
 GLASTONBURY, CT

TRI-CHORD SIGN STRUCTURE
 I-89 SB EXIT 14W RAMP "C"
 CHITTENDEN COUNTY, VERMONT
 CITY OF SOUTH BURLINGTON
 PROJECT No. ACIM 089-3(37)

DATE: 8/29/06
 SCALE: NTS
 1558
 SHEET NO. 6 of 8

GENERAL CONTRACTOR: F.R. LAFAYETTE