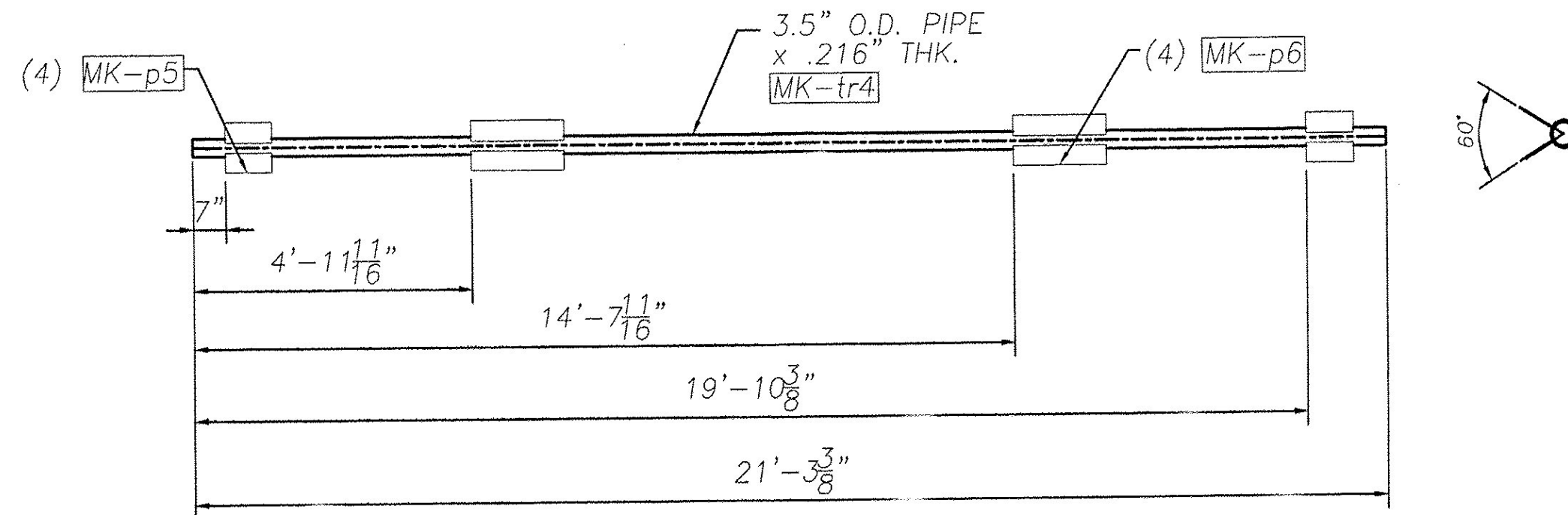
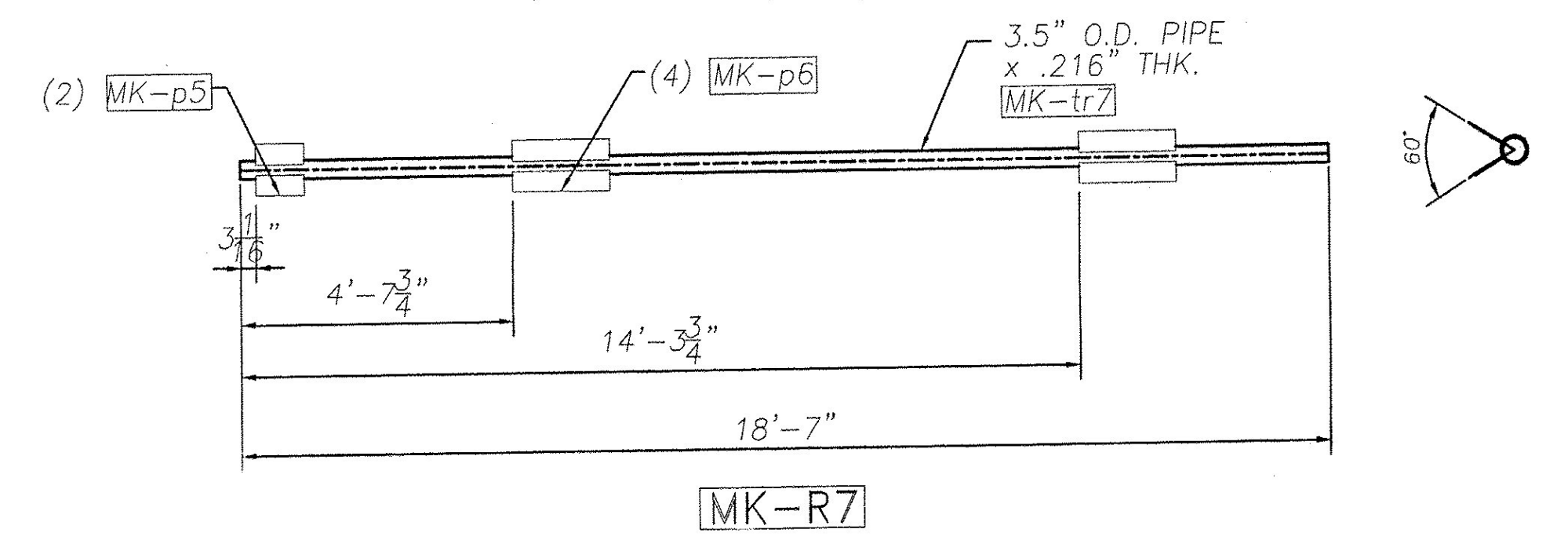


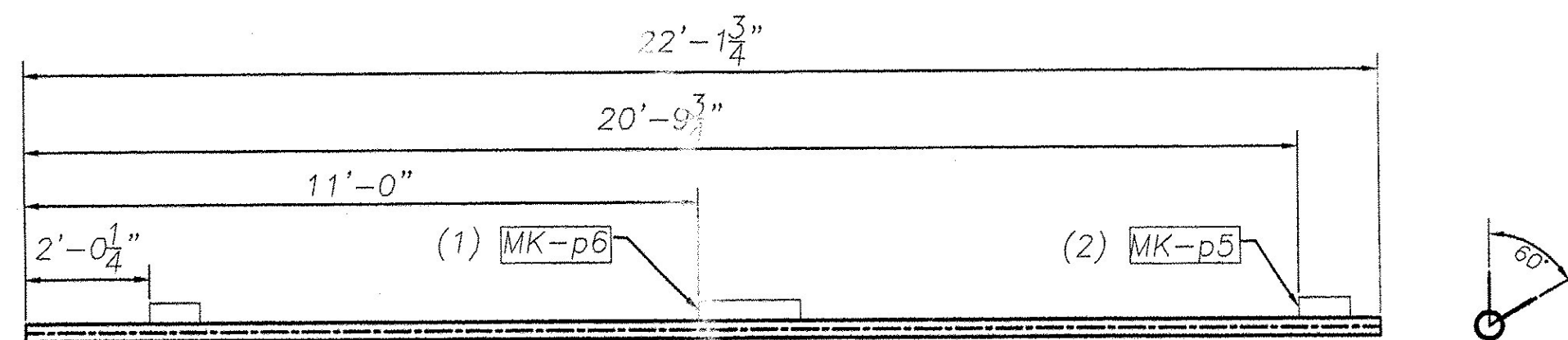
MK-R1



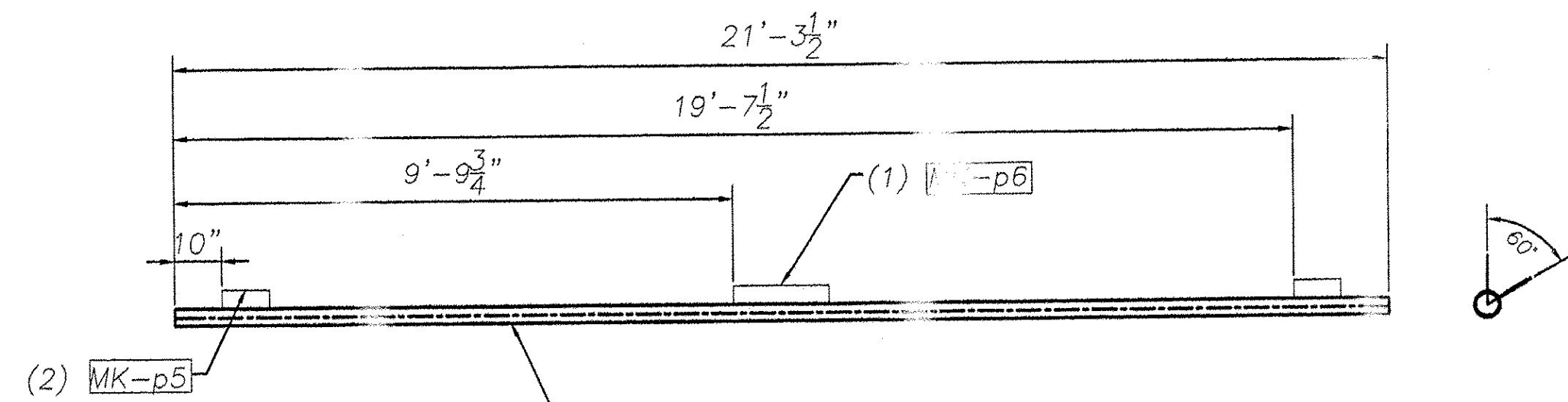
MK-R4



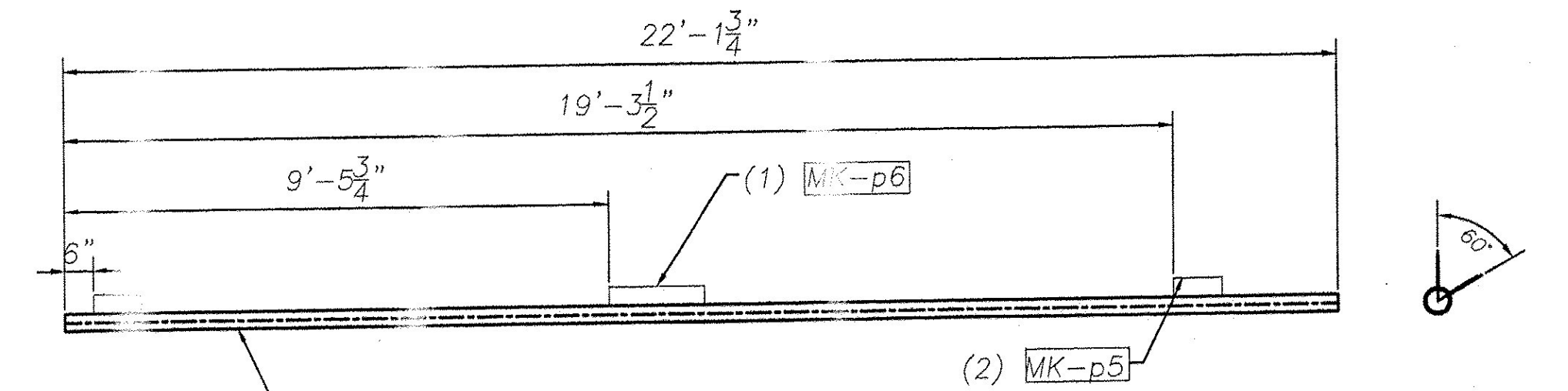
MK-R7



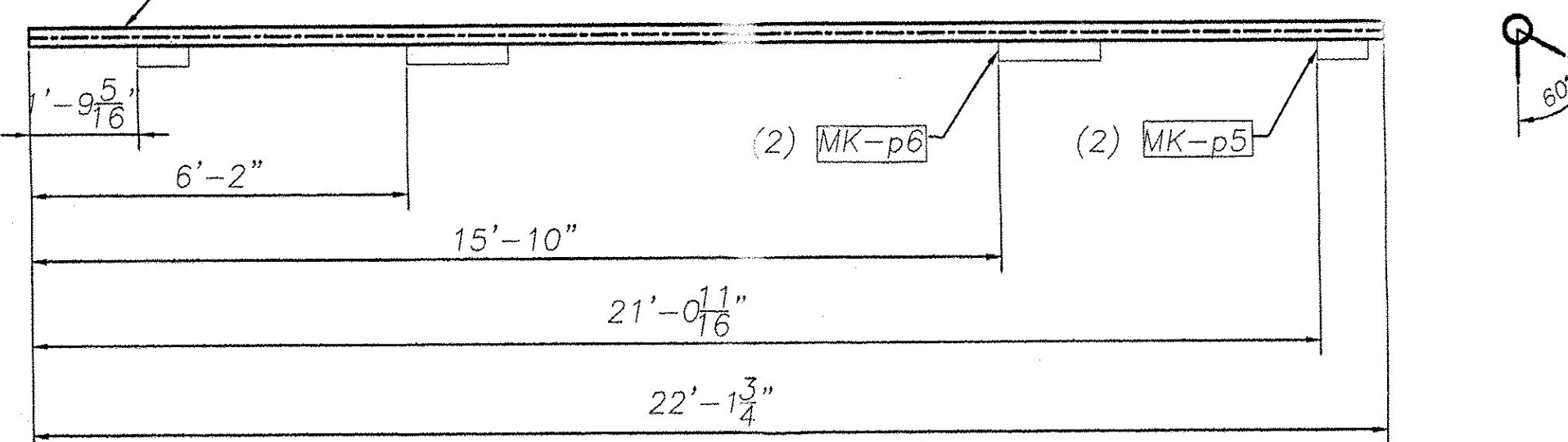
MK-R2



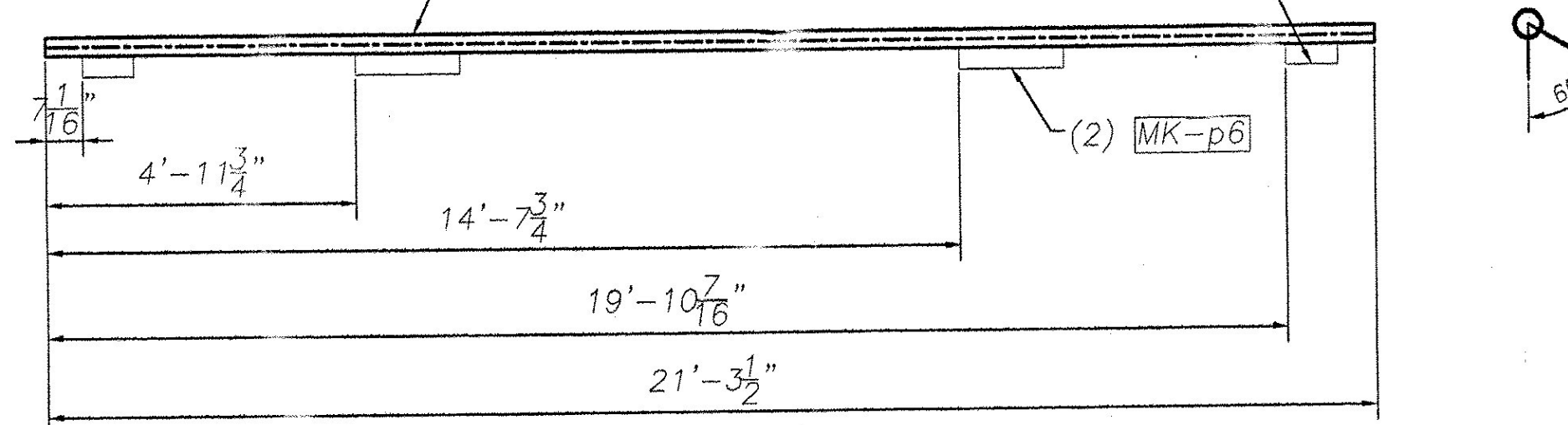
MK-R5



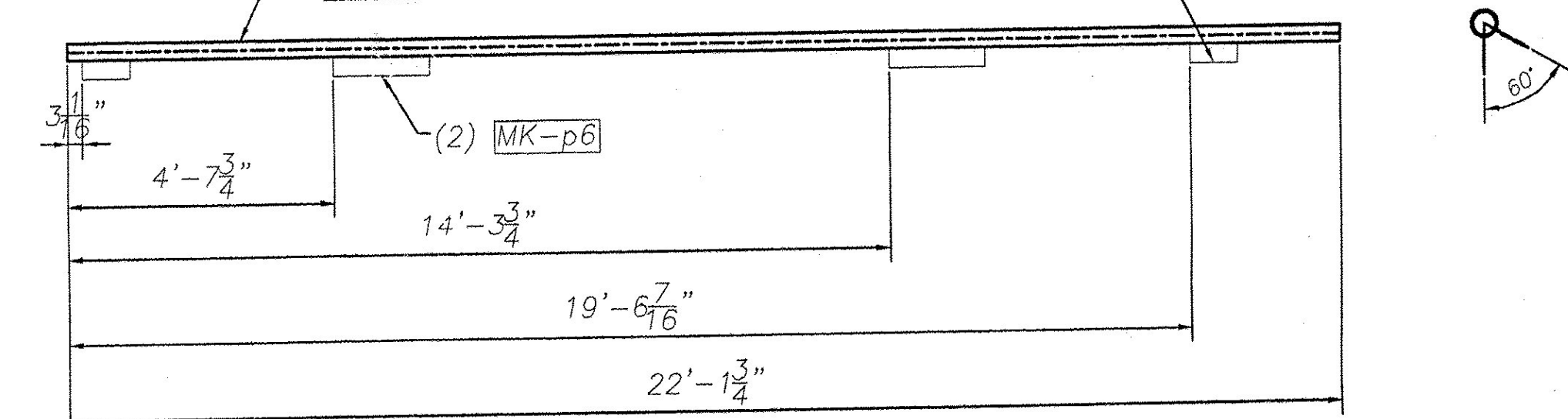
MK-R8



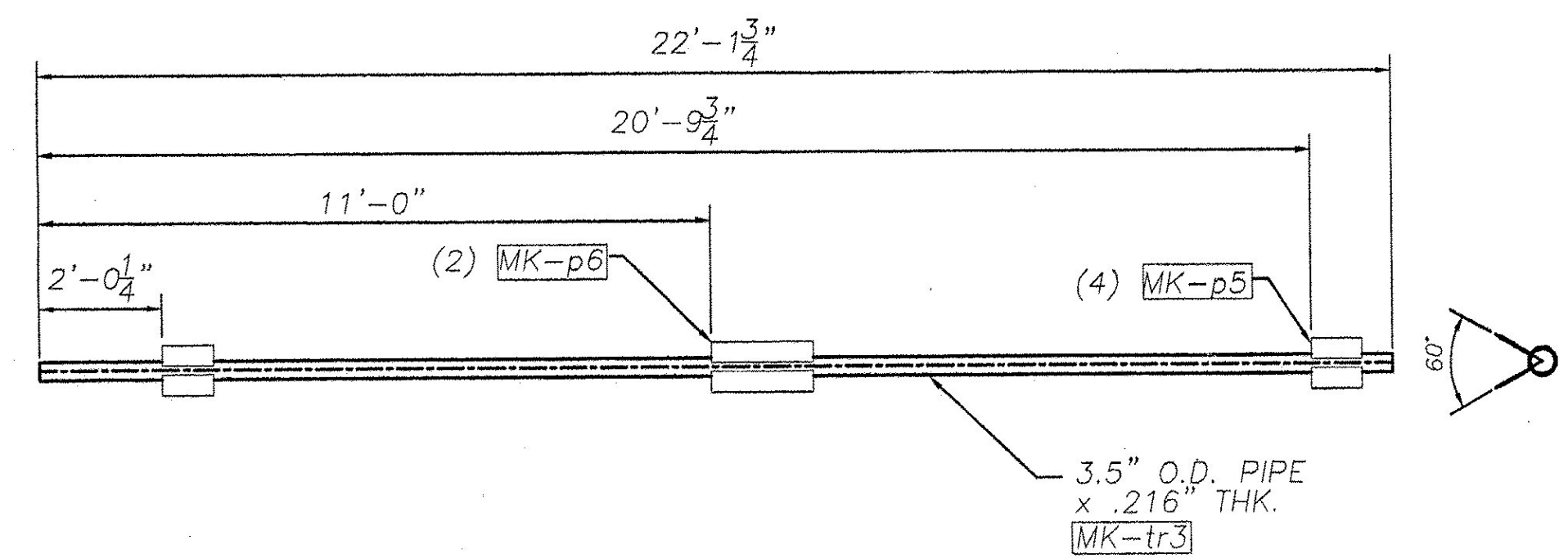
MK-R3



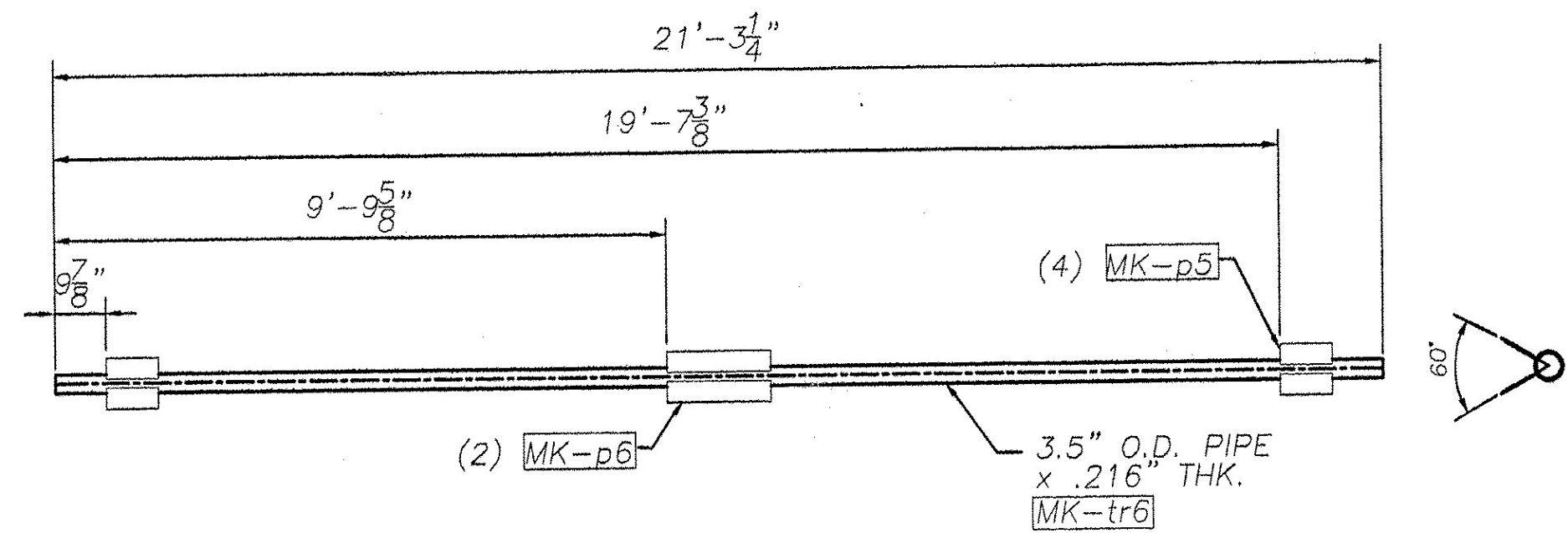
MK-R6



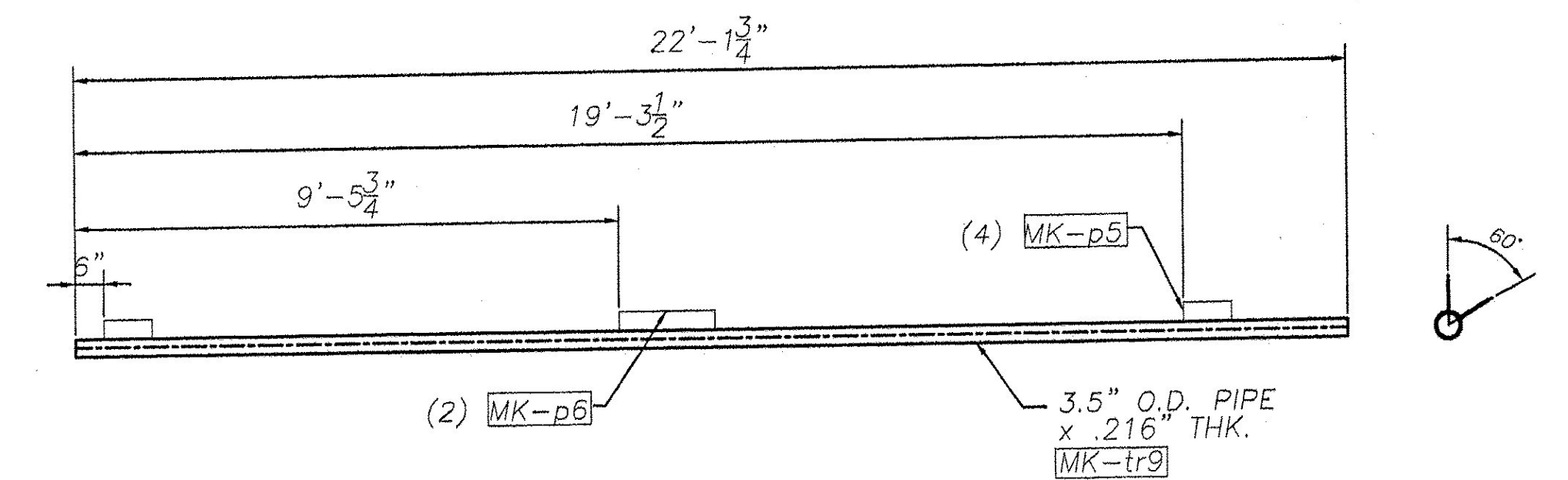
MK-R9



TRUSS 5



TRUSS 6



TRUSS 7

REVISIONS		
No.	Remarks	Date
0	Initial submittal	

RECEIVED  
 CKD BY \_\_\_\_\_ CKD BY \_\_\_\_\_  
 SEP 05 2006  
 RESUBMIT \_\_\_\_\_ APPROVED \_\_\_\_\_  
 BY *WY* DATE 9/6/06

*PG 3 of 8*

**HIGHWAY SAFETY CORP.**  
 GLASTONBURY, CT

TRI-CHORD SIGN STRUCTURE  
 I-89 SB EXIT 14W RAMP "C"  
 CHITTENDEN COUNTY, VERMONT  
 CITY OF SOUTH BURLINGTON  
 PROJECT No. ACIM 089-3(37)

DESIGN: MHM  
 CHECKED: \_\_\_\_\_  
 DATE: 8/29/06  
 SCALE: NTS  
 THIS REFERENCE NO.: 1558  
 SHEET NO.: 5 of 8

GENERAL CONTRACTOR: \_\_\_\_\_  
 SUB CONTRACTOR: F.R. LAFEYETTE

