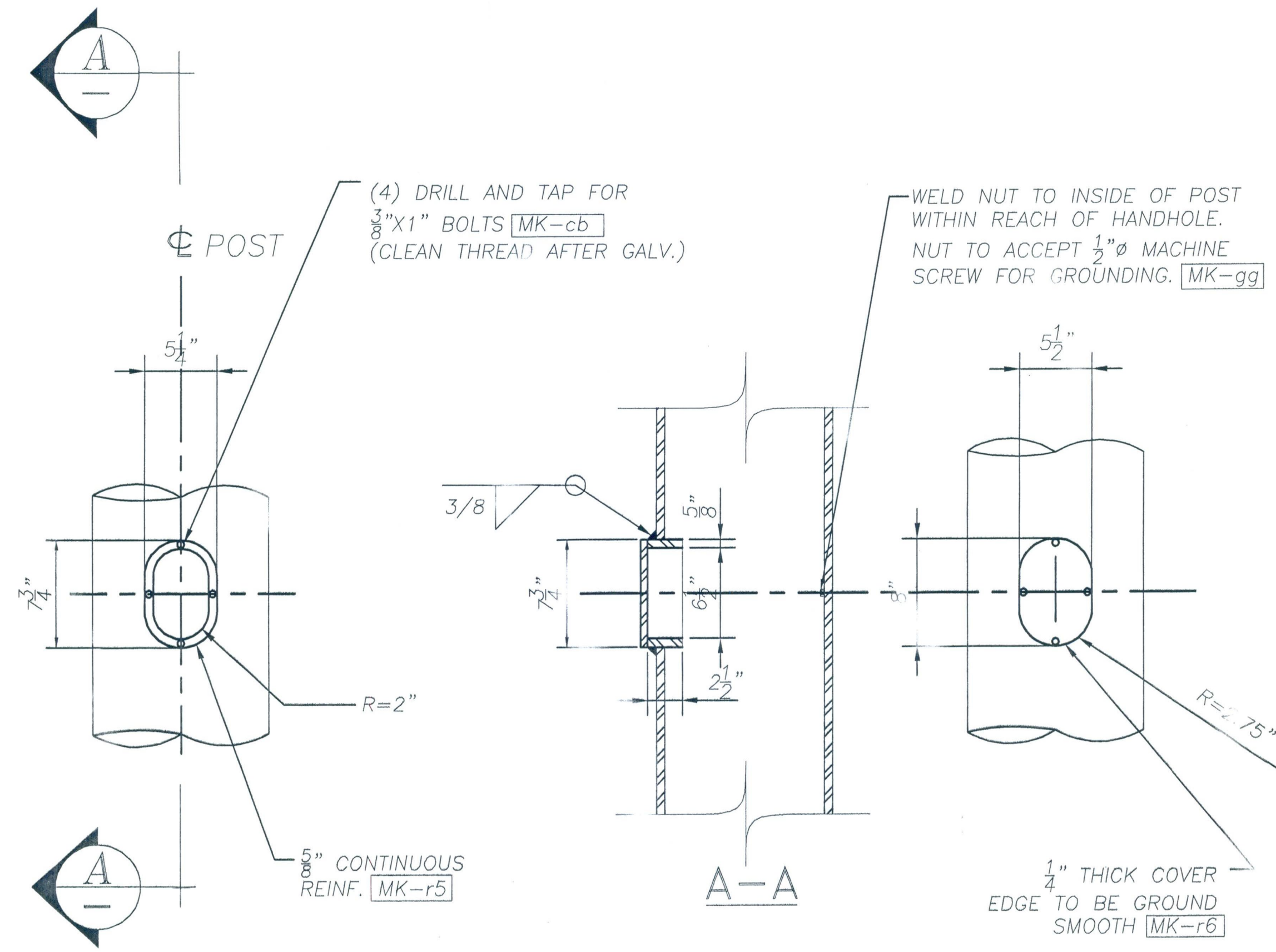
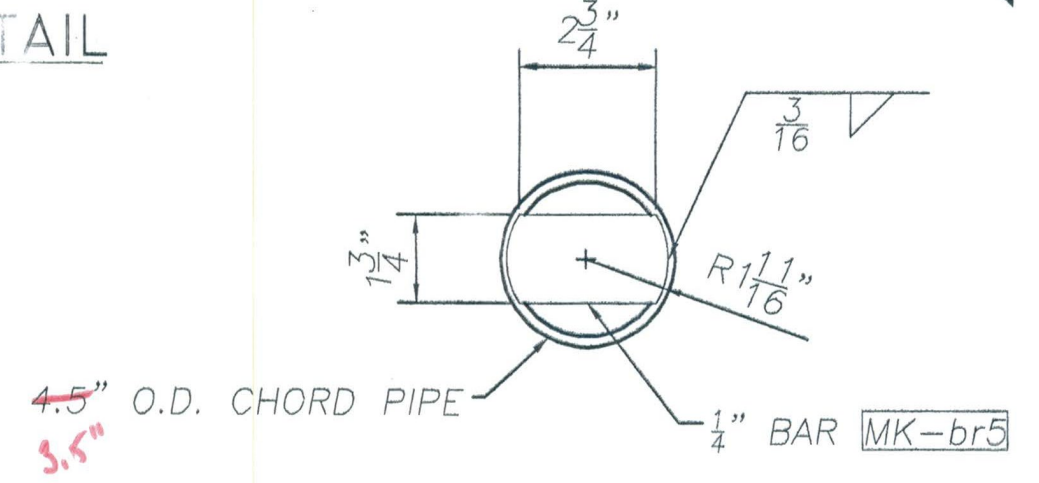
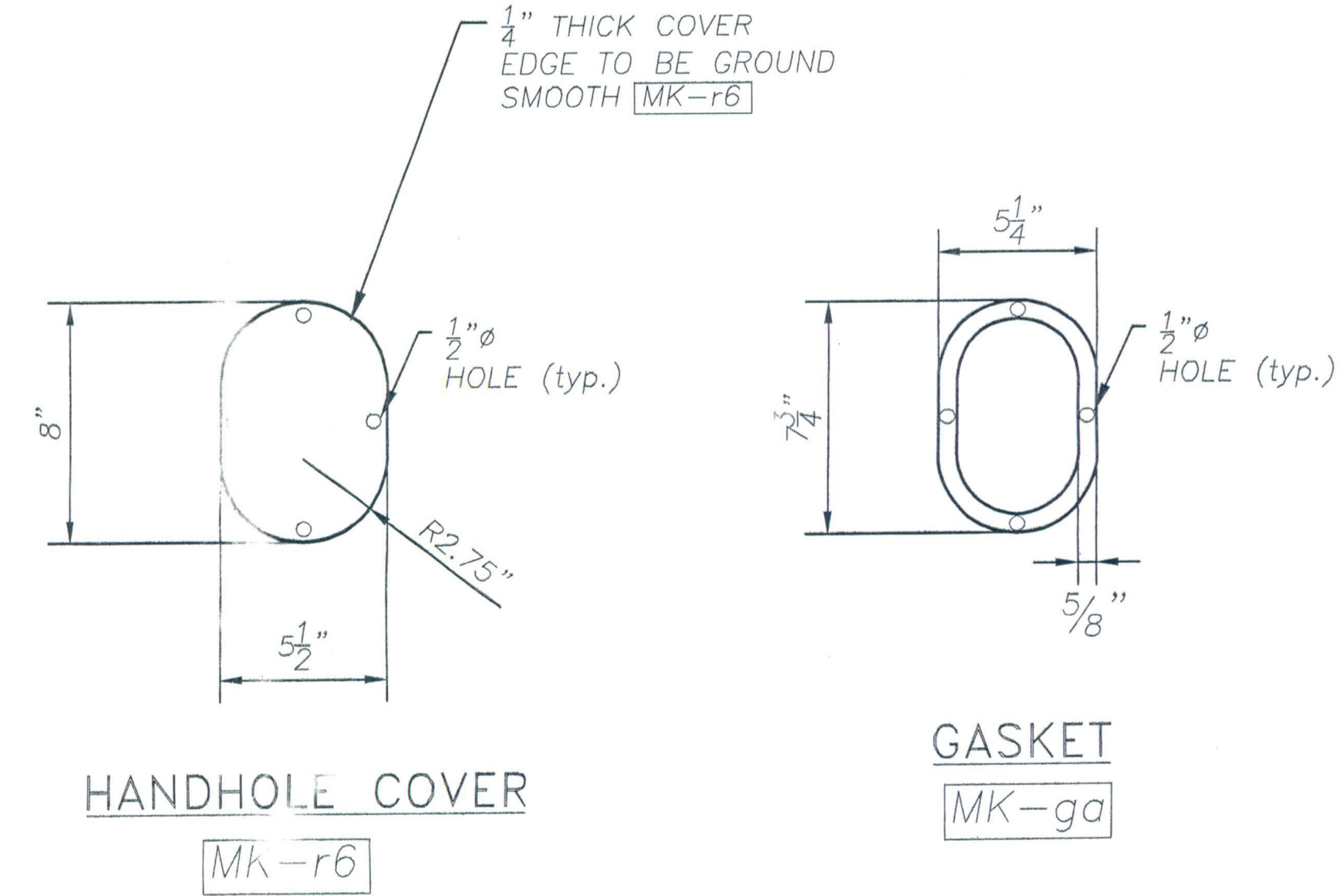
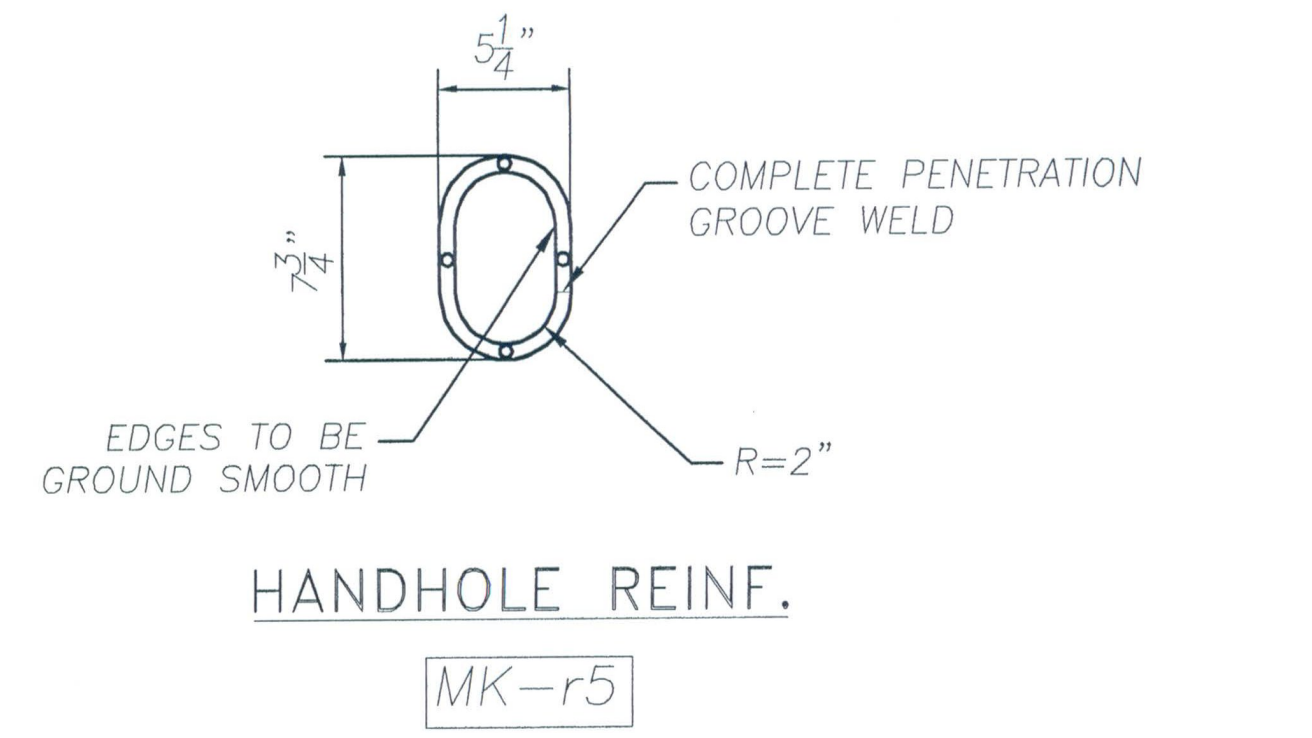


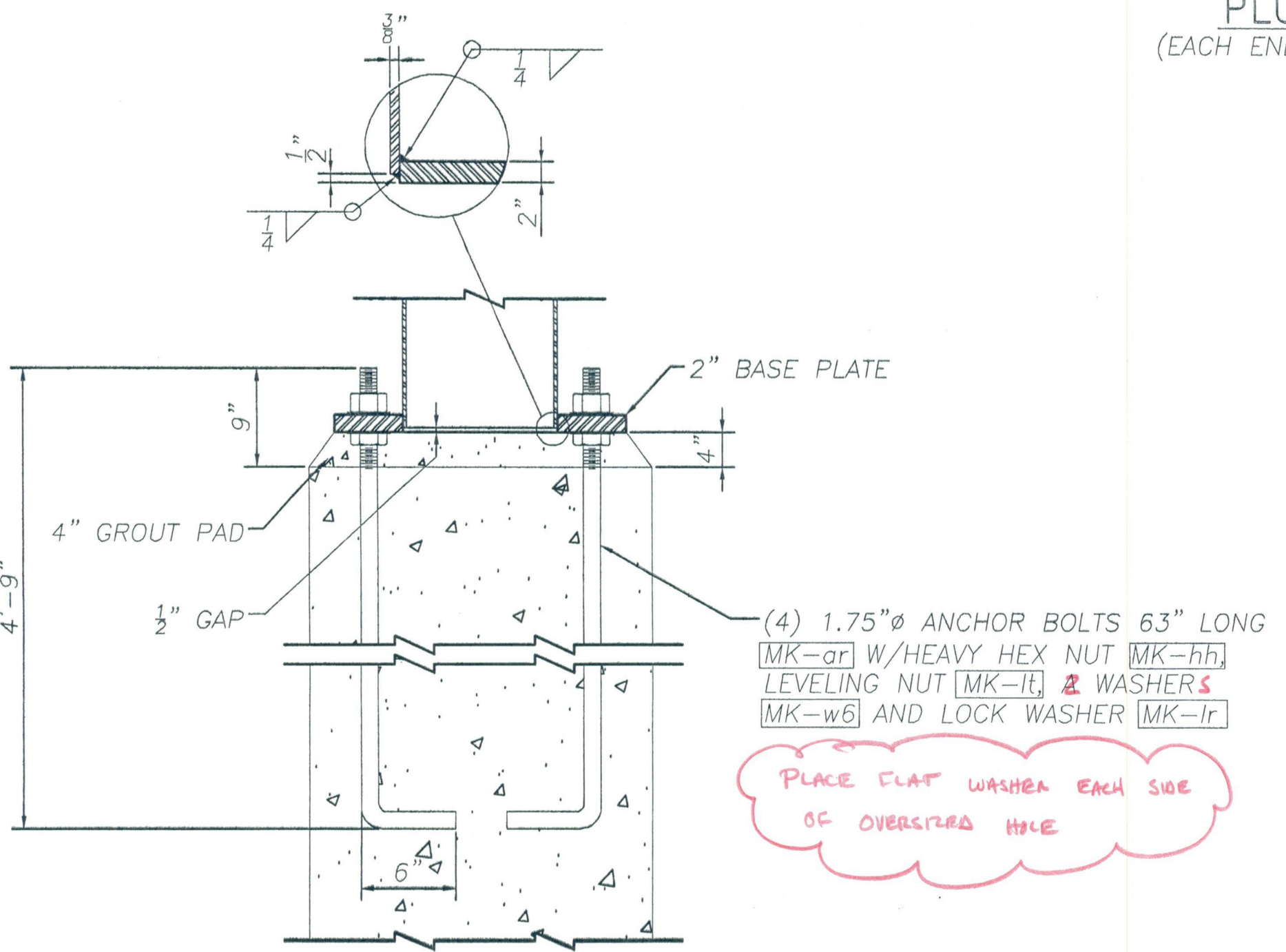
TRUSS CONNECTION DETAIL



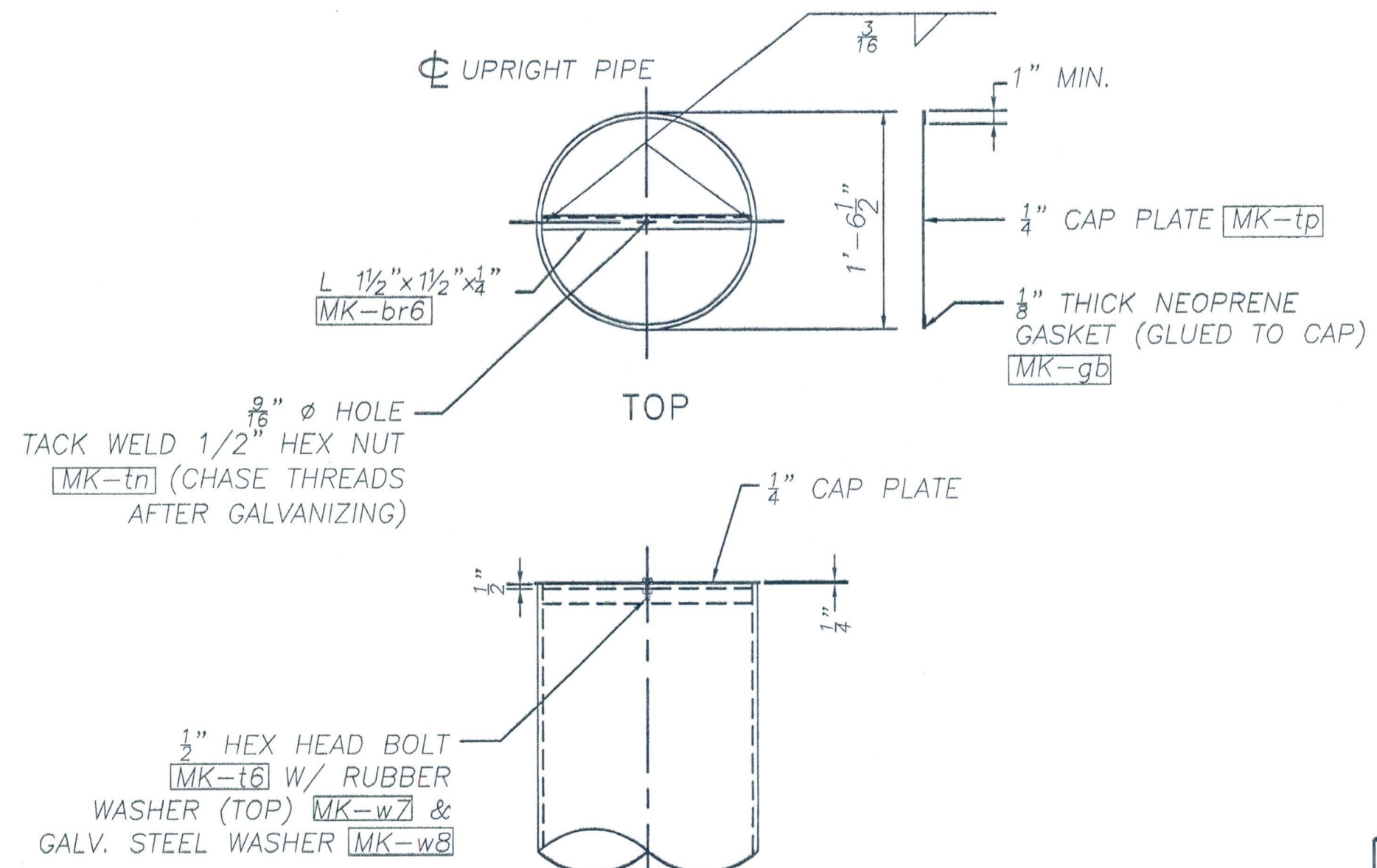
POST HANDHOLE DETAIL
PLACE ON SIDE OF POLE AWAY FROM APPROACHING TRAFFIC



PLUG DETAIL
(EACH END OF TRUSS CHORD)

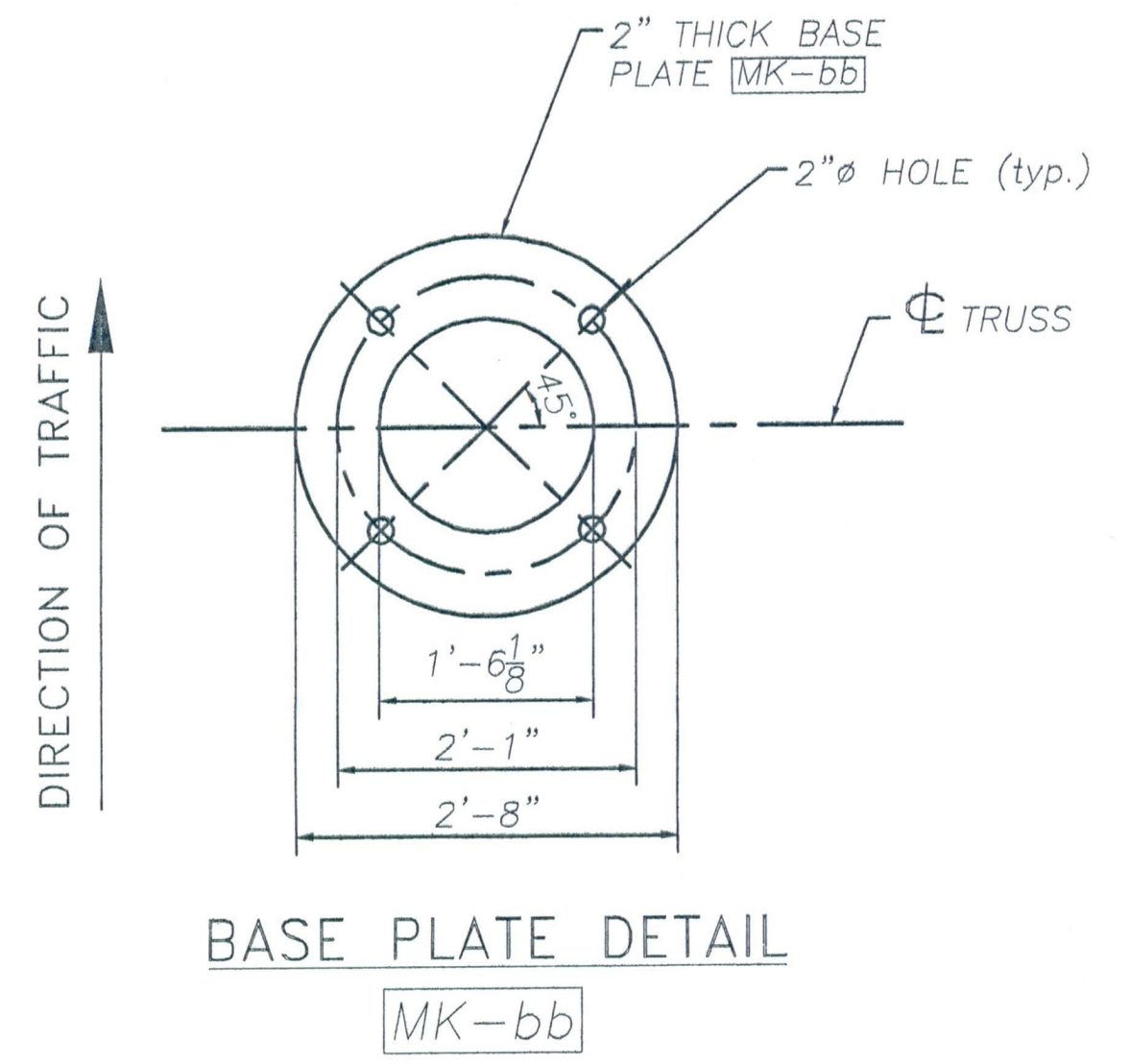


ANCHORAGE ASSEMBLY



UPRIGHT CAP DETAIL

ASSEMBLE CAP TO POST PRIOR TO SHIPPING.



REVISIONS		
No.	Remarks	Date
0	Initial submittal	

RECEIVED

CHK'D BY: _____

SEP 05 2006

RESUBMIT BY: Wly

APPROVED: A. N. [Signature]

DATE: 9/6/06

[Signature]

HIGHWAY SAFETY CORP.
GLASTONBURY, CT

TRI-CHORD SIGN STRUCTURE
I-89 SB EXIT 14W RAMP "C"
CHITTENDEN COUNTY, VERMONT
CITY OF SOUTH BURLINGTON
PROJECT No. ACIM 089-3(37)

DATE: 8/29/06
SCALE: N.T.S.
HSC REFERENCE NO. 1558
SHEET NO. 4 of 8

GENERAL CONTRACTOR: F.R. LAFAYETTE

