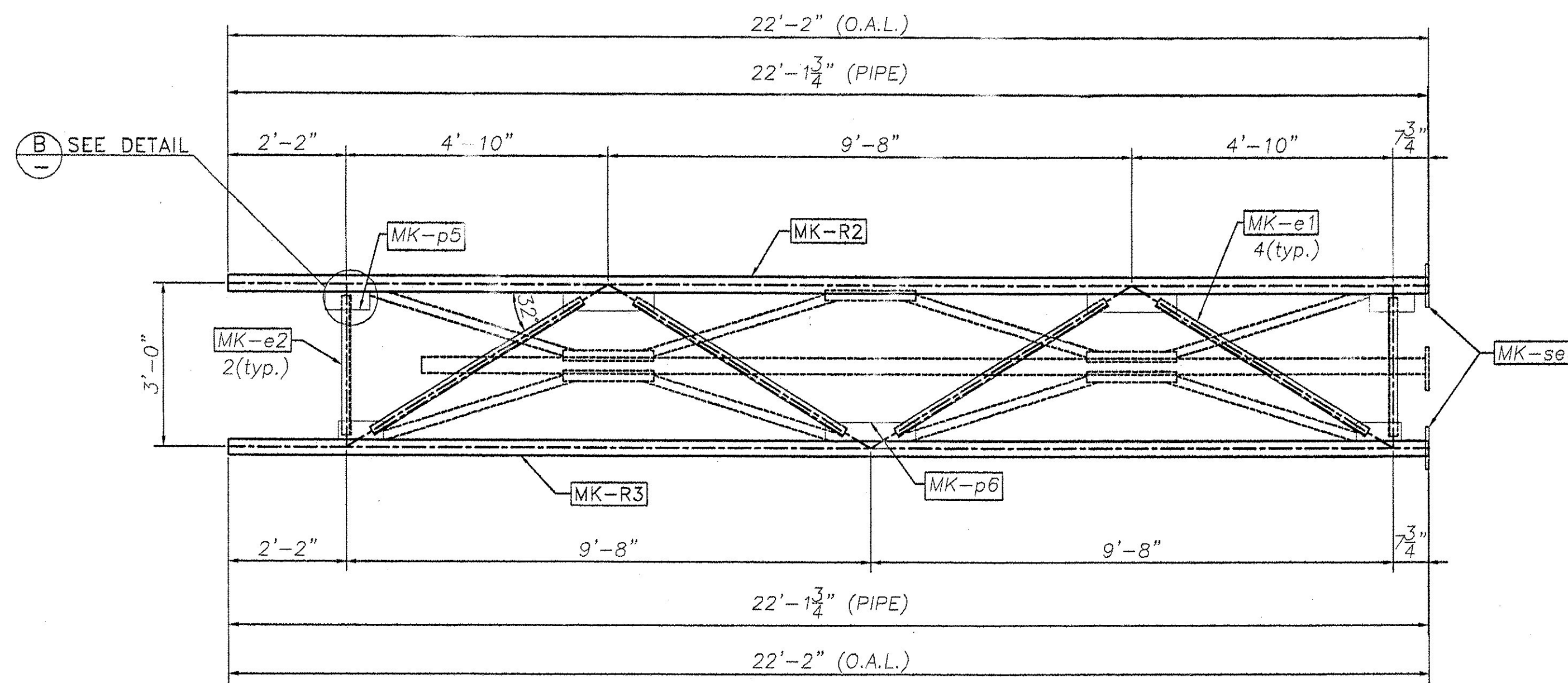
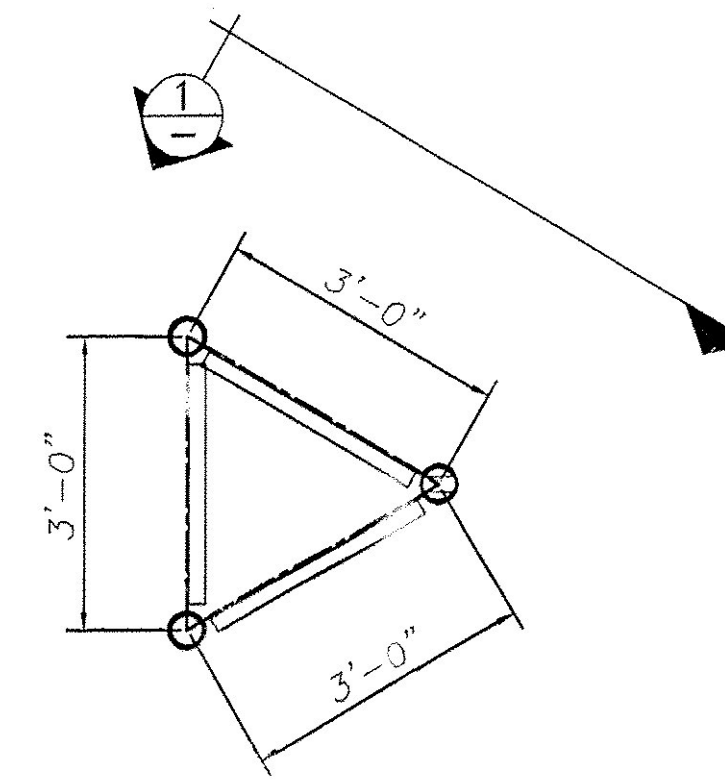


1 VIEW

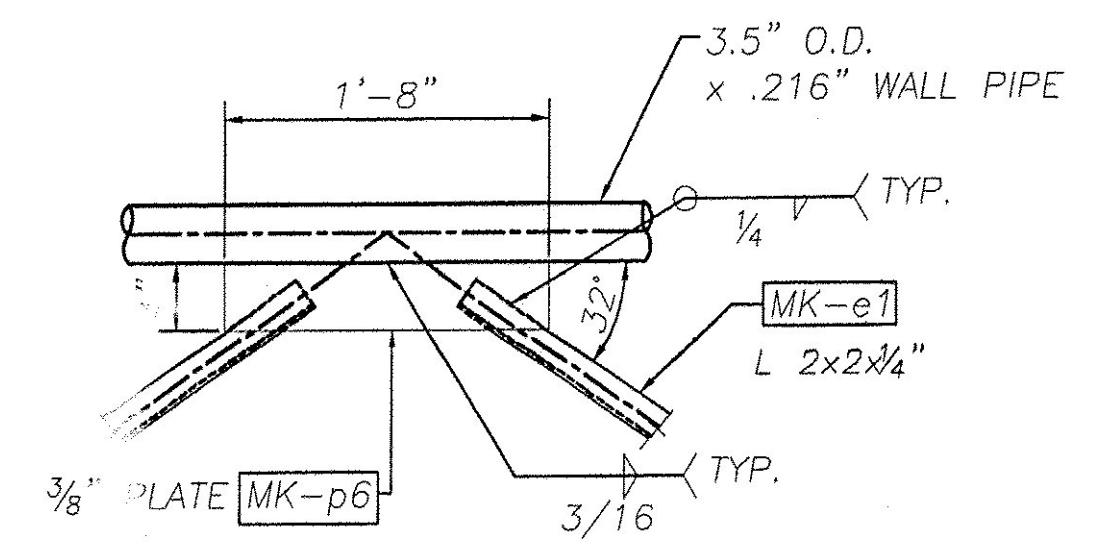


FRONT VIEW  
TRUSS 5

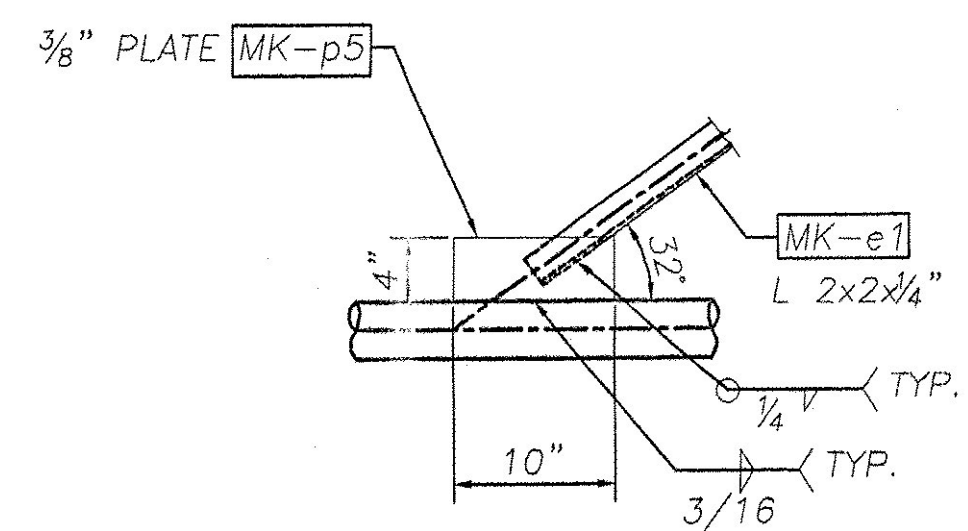
STAMP TR5 IN ONE FLANGE



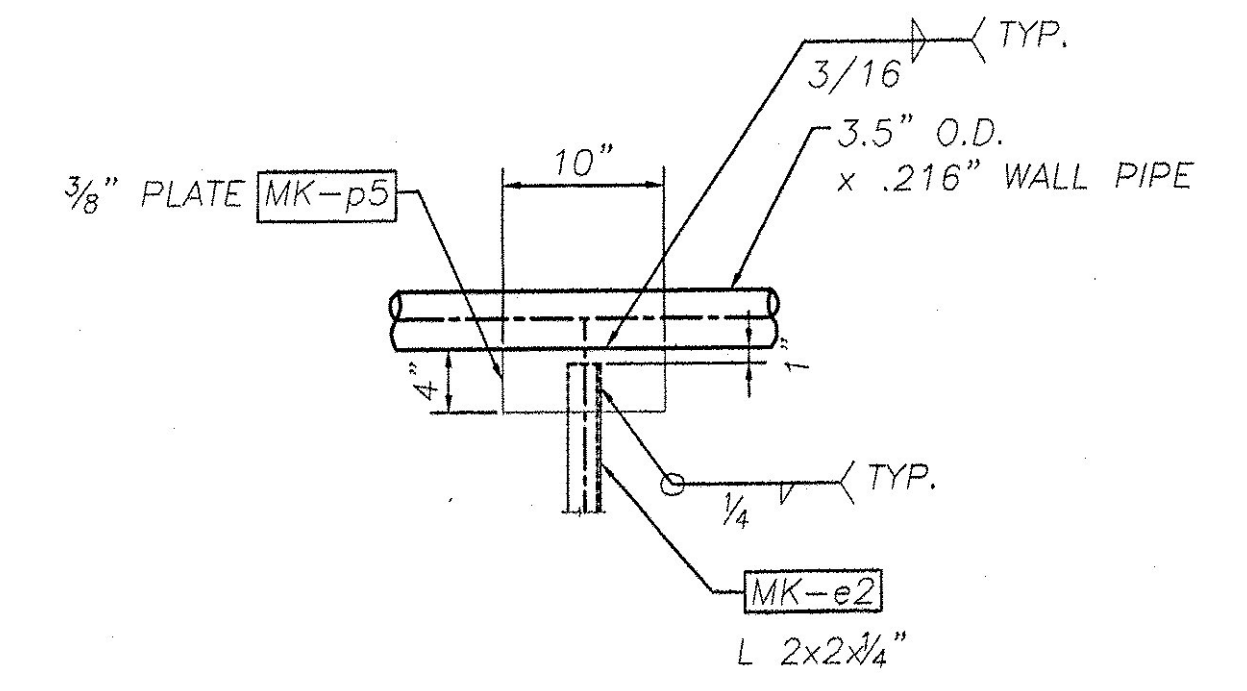
SIDE VIEW



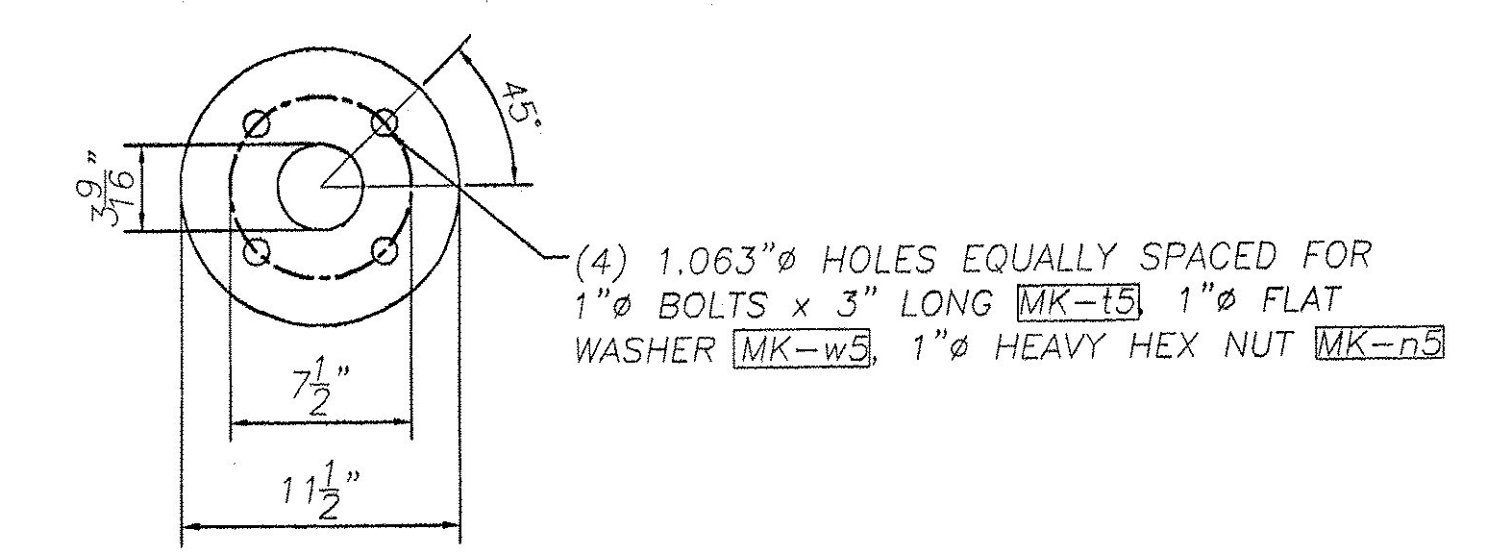
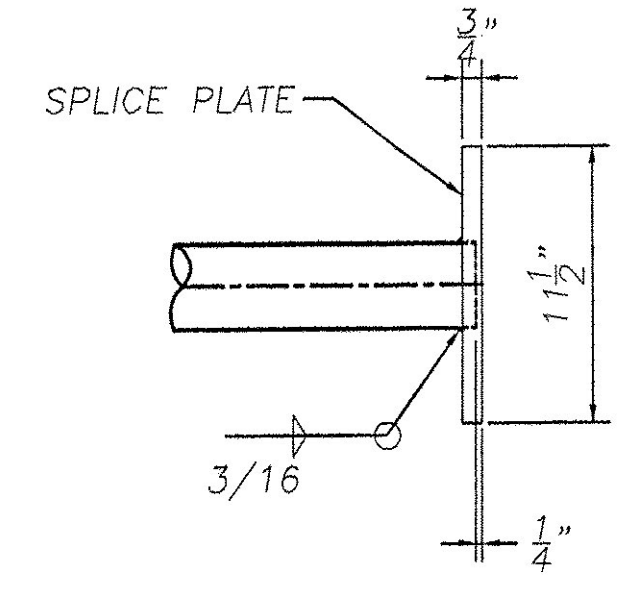
DETAIL "A"



DETAIL "C"



DETAIL "B"



SPLICE DETAIL  
MK-se

NOTES:

1. PRIOR TO GALVANIZING, ALL CORNERS AND EDGES OF STEEL PLATES, SHAPES, ETC., SHALL BE GROUND TO A 1/8 INCH RADIUS.
2. SEAL WELD ALL CONNECTIONS WHEN POSSIBLE.



REVISIONS		
No.	Remarks	Date
0	Initial submittal	

RECEIVED  
 OK'D BY \_\_\_\_\_ OK'D BY \_\_\_\_\_  
 SEP 05 2006  
 RESUBMIT \_\_\_\_\_ APPROVED \_\_\_\_\_  
 BY *WJ* DATE *9/6/06*

**HIGHWAY SAFETY CORP.**  
 GLASTONBURY, CT

TRI-CHORD SIGN STRUCTURE  
 I-89 SB EXIT 14W RAMP "C"  
 CHITTENDEN COUNTY, VERMONT  
 CITY OF SOUTH BURLINGTON  
 PROJECT No. ACIM 089-3(37)

CHECKED: MHM  
 DATE: 8/29/06  
 SCALE: N.T.S.  
 HWS REFERENCE NO.: 1558  
 SHEET NO.: 2 of 8

GENERAL CONTRACTOR: \_\_\_\_\_  
 SUB CONTRACTOR: F.R. LAFAYETTE

*DEB CO*