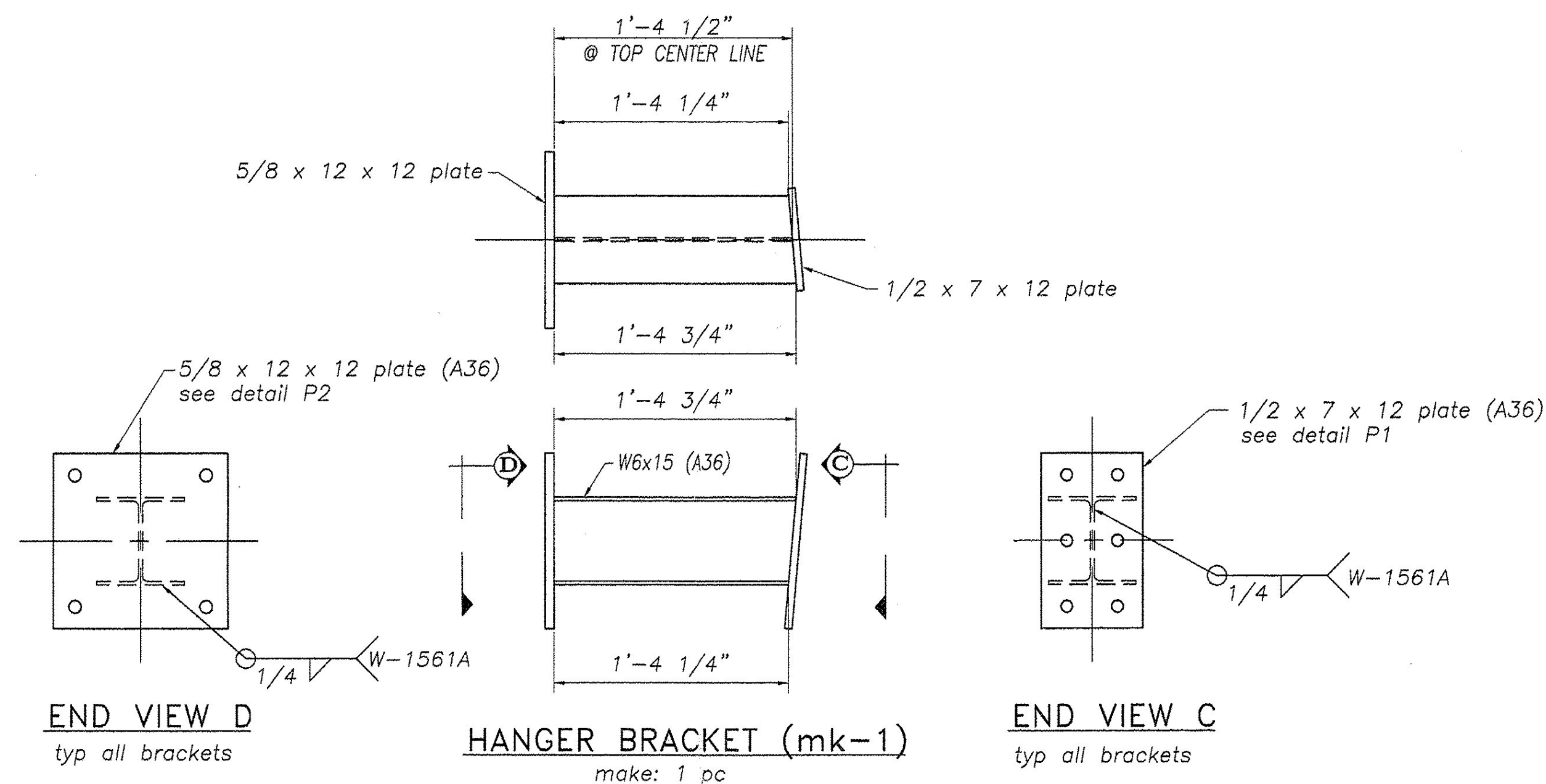
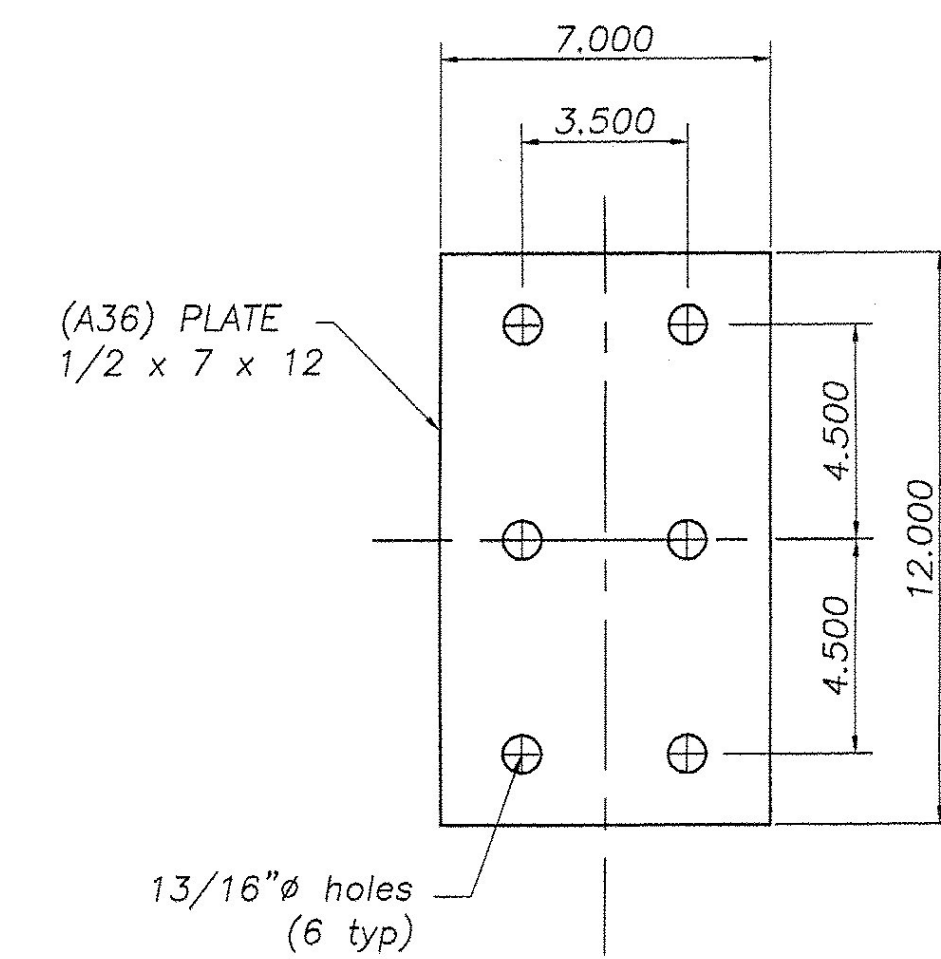


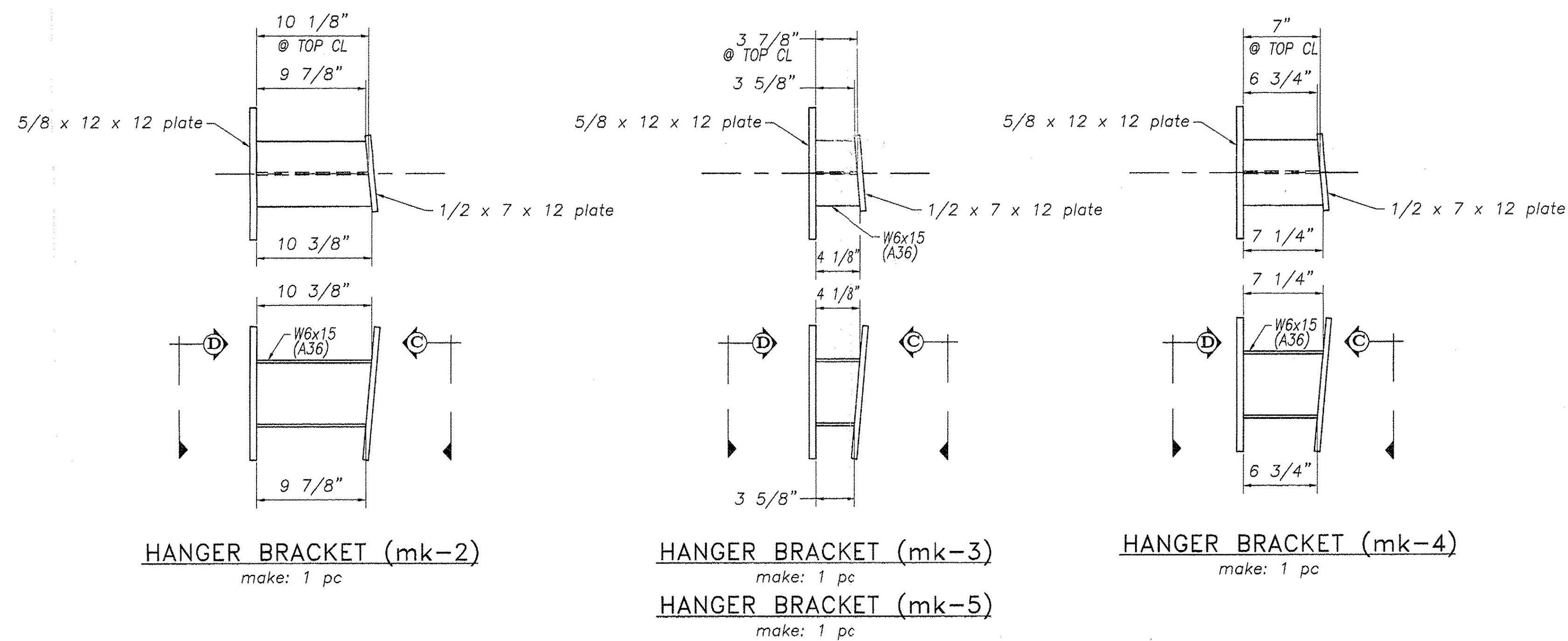
HANGER BEAM
make: 5 pcs



HANGER BRACKET (mk-1)
make: 1 pc



DETAIL P1
make: 5 pcs
weld to bracket

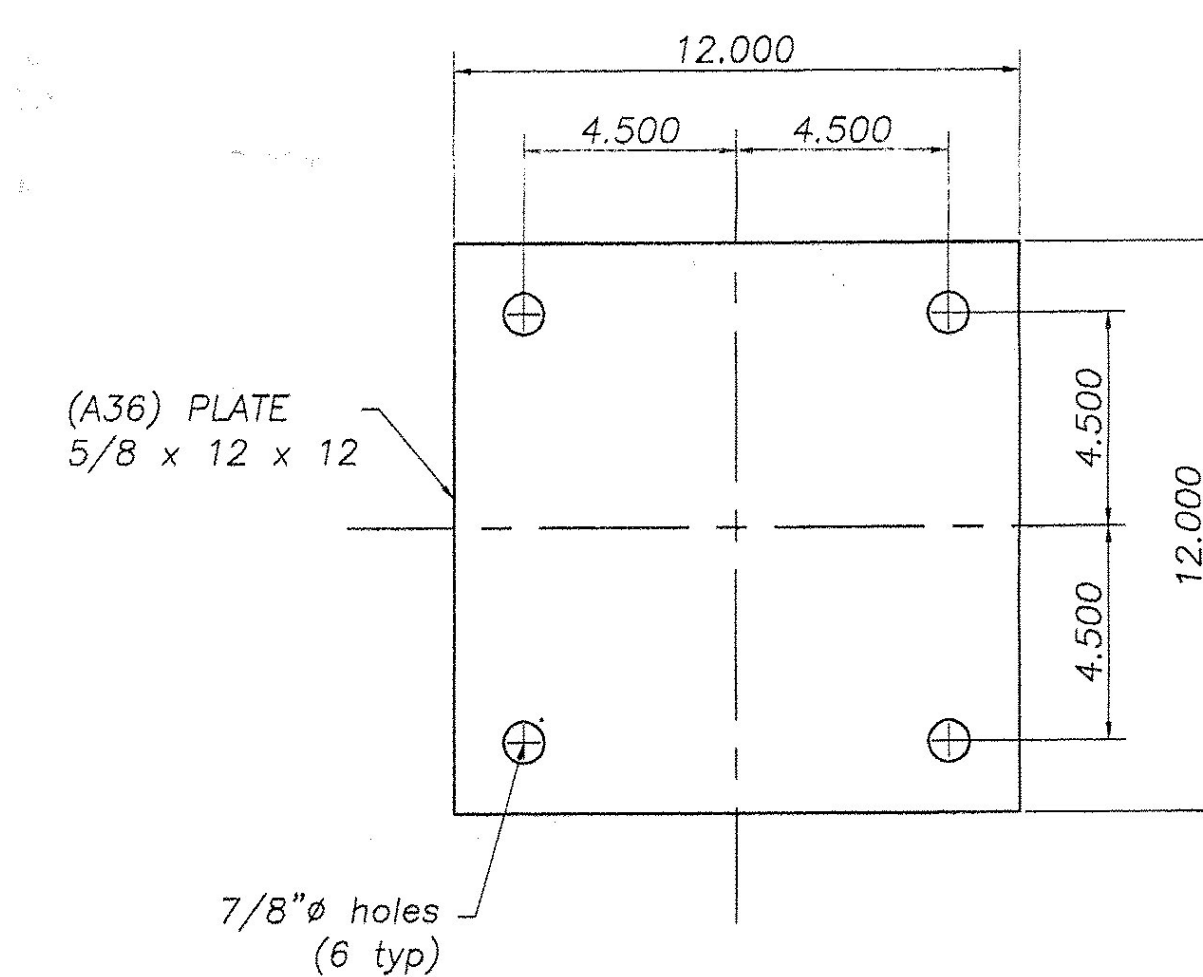


HANGER BRACKET (mk-2)
make: 1 pc

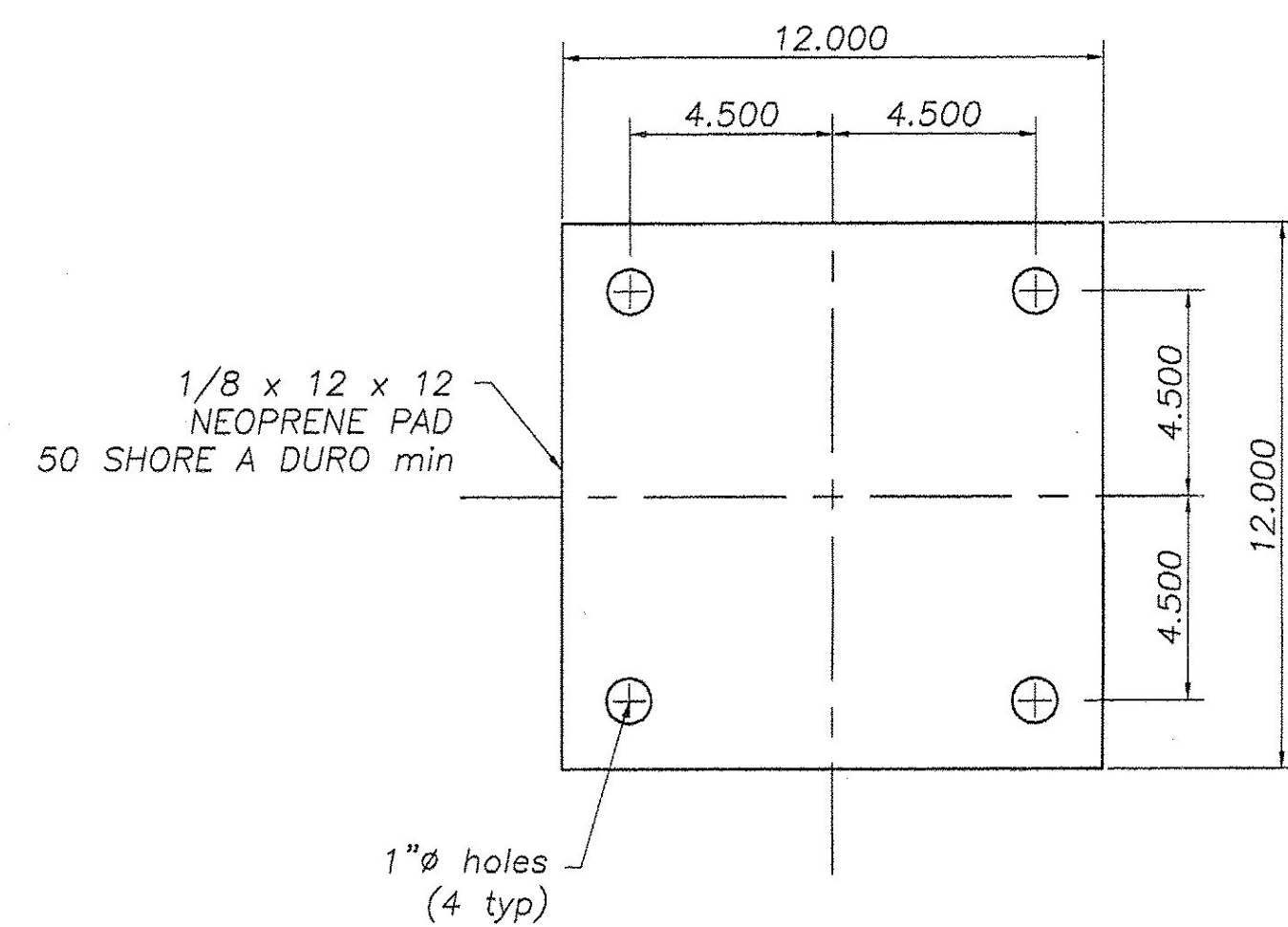
HANGER BRACKET (mk-3)
make: 1 pc

HANGER BRACKET (mk-4)
make: 1 pc

HANGER BRACKET (mk-5)
make: 1 pc



DETAIL P2
make: 5 pcs
weld to bracket



BEARING PAD
make: 5 pcs

REVISIONS		
No.	Remarks	Date
0	Initial submittal	7/14/06

RECEIVED STR-7
 CK'D BY _____ OK'D BY _____
 JUL 26 2006
 RESUBMIT _____ APPROVED _____
 BY _____ DATE _____

HIGHWAY SAFETY CORP.
GLASTONBURY, CT

BRIDGE MOUNTED TRAFFIC SIGN SUPPORT BRACKETS
 PATCHEN ROAD BRIDGE
 I-89 SOUTHBOUND
 SOUTH BURLINGTON, VT
 IM 089-3(37)

DRAWN BY p. radice
 CHECKED _____
 DATE 08/13-06
 SCALE none
 HSC REFERENCE NO. 1561
 GENERAL CONTRACTOR SIZE D REVISION 0
 SUB CONTRACTOR F.R. LAFAYETTE SHEET NO. 2 of 2

