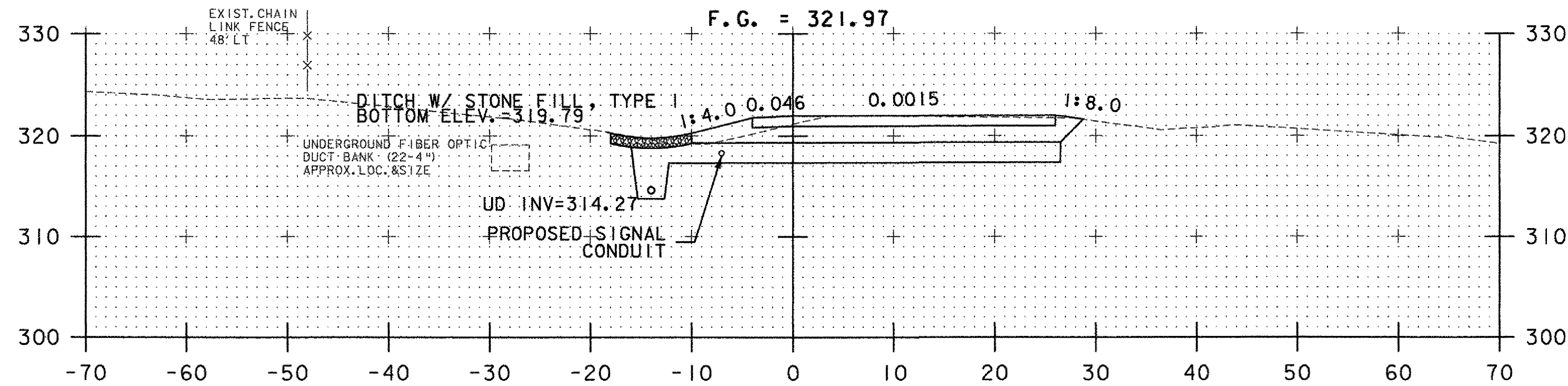
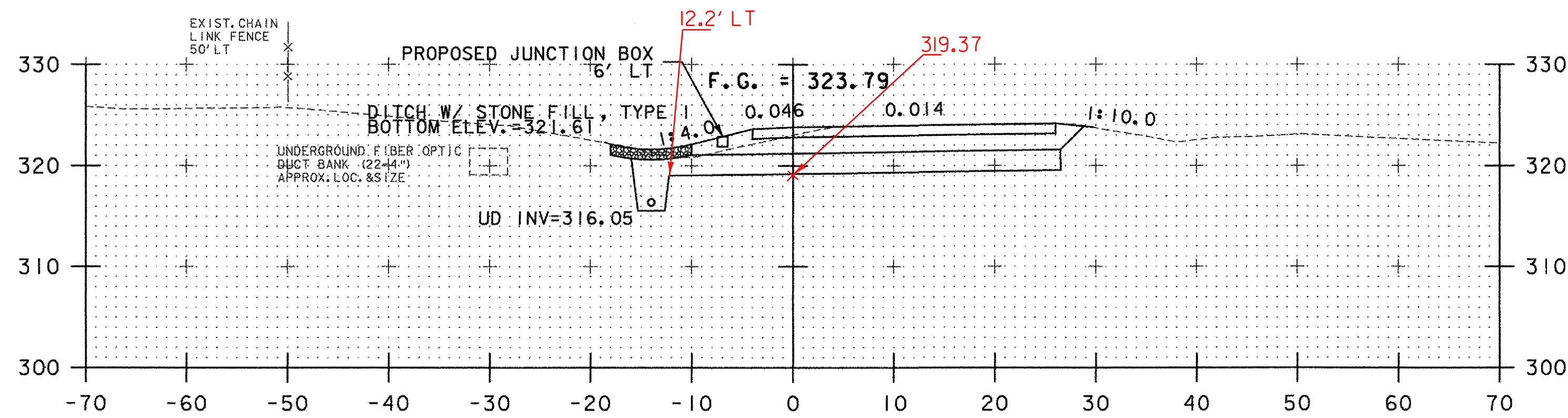


**BANKING TRANSITION DETAIL**

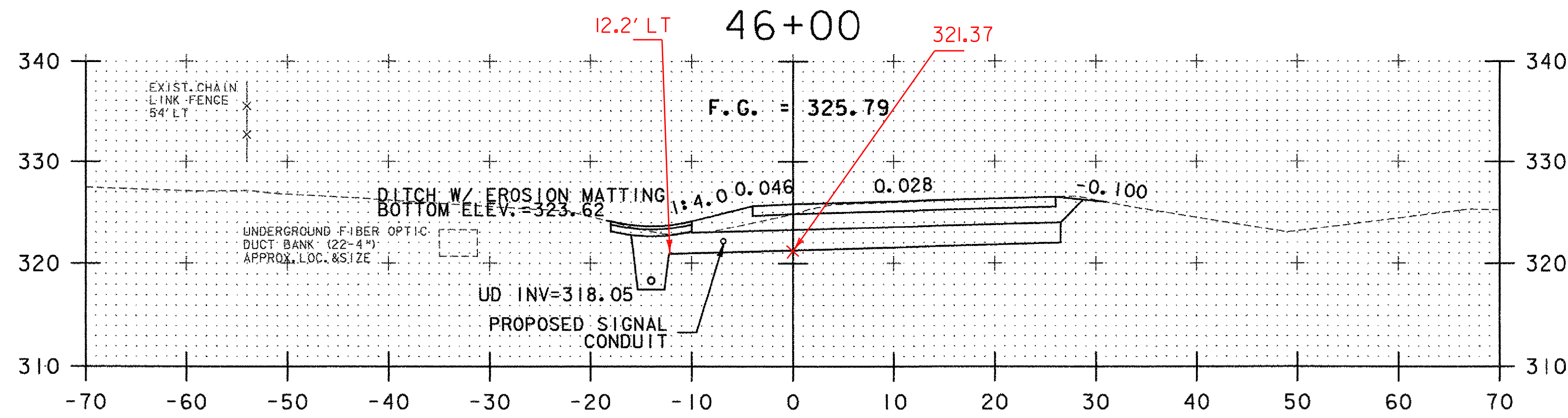
SCALE:  
HORIZ.: 1" = 40'



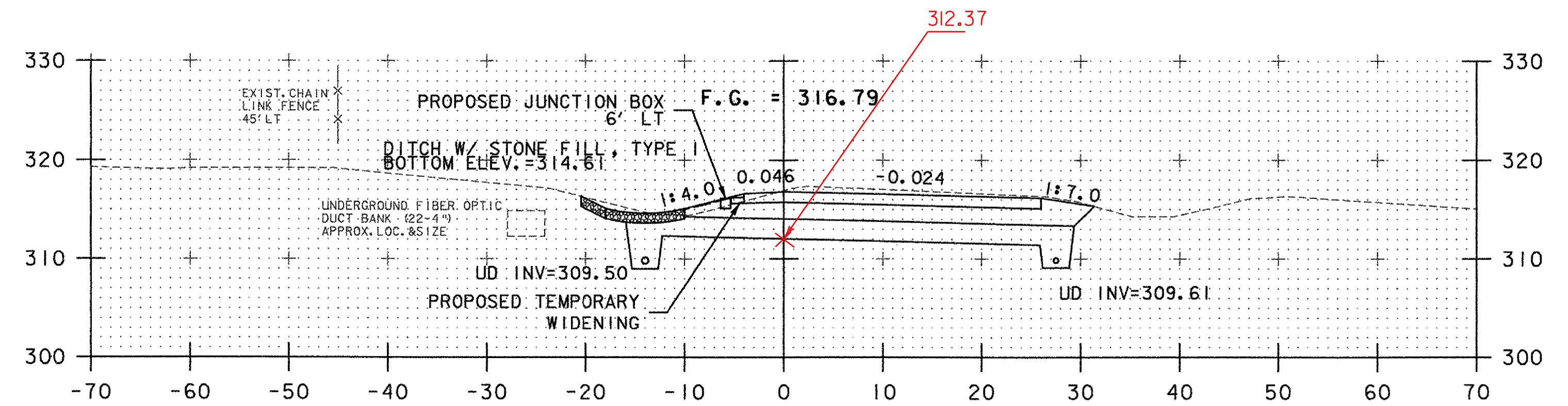
46+44.61 PC



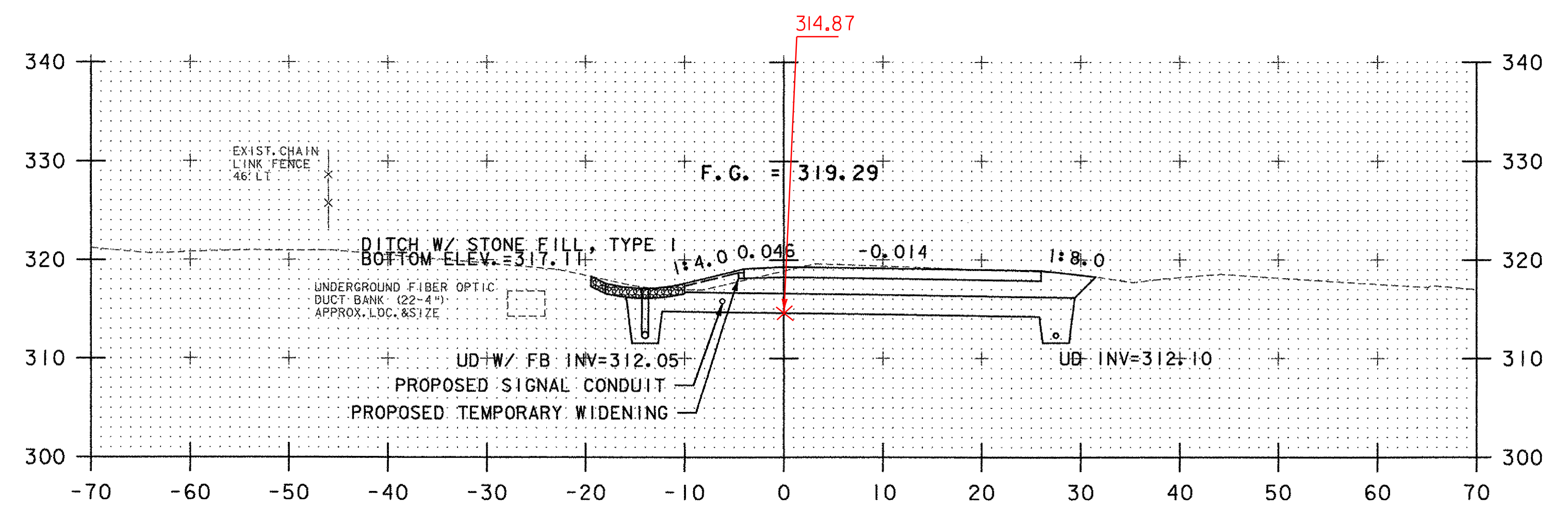
46+00



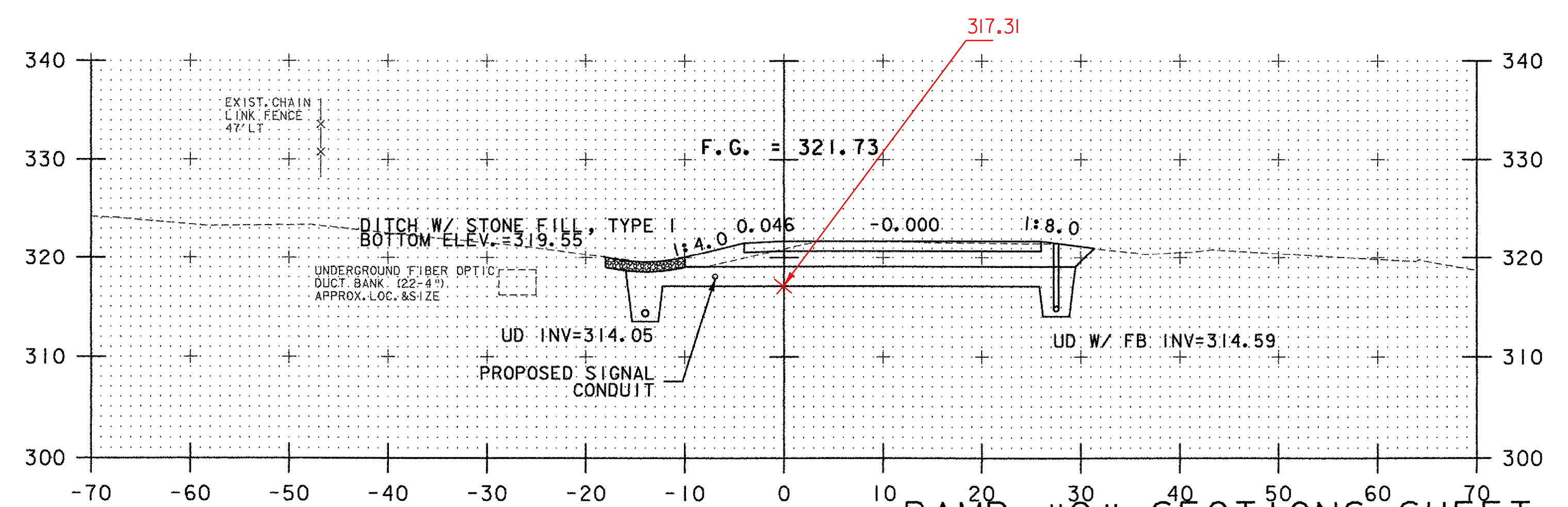
45+50



47+50



47+00



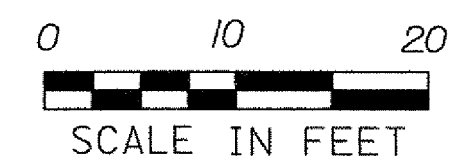
46+50

**RAMP "C" SECTIONS SHEET 4**

PROJECT NAME: SOUTH BURLINGTON  
PROJECT NUMBER: IM 089-3(37)

FILE NAME: z03a178xs.dgn  
PROJECT LEADER: KEN UPMAL  
DESIGNED BY: E. ATKINS

PLOT DATE: 5/5/2006  
DRAWN BY: E. ATKINS  
CHECKED BY: K. ISHIKURA  
SHEET 85 OF 99



STA. 45+50 TO STA. 47+50

DATUM  
VERTICAL NAVD 88  
HORIZONTAL NAD 83 (1996)

NOTE: REFER TO RAMP "C" TRAFFIC MANAGEMENT PLANS FOR TEMPORARY WIDENING WORK.