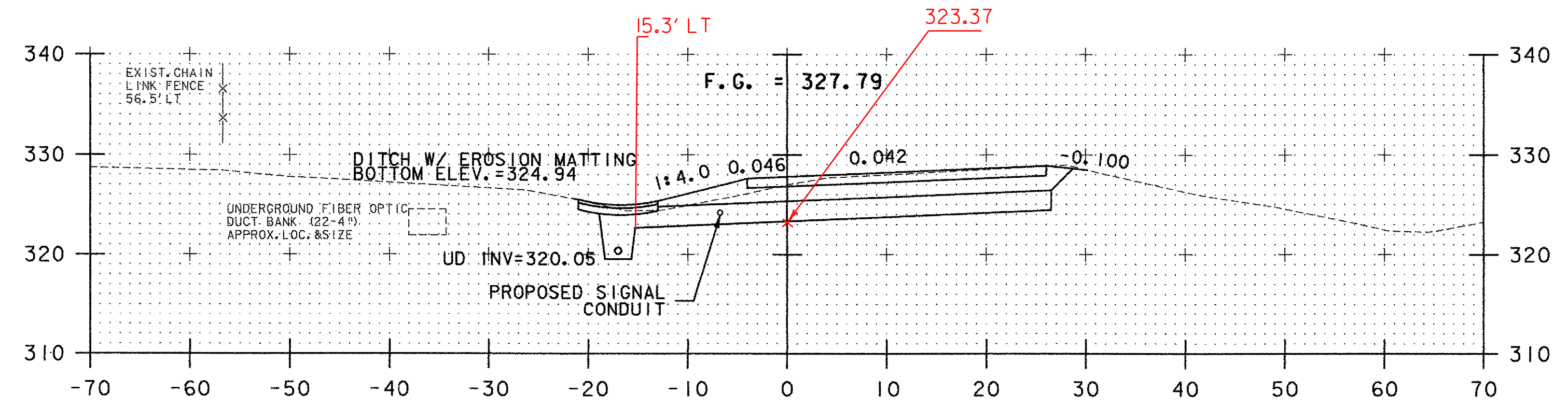
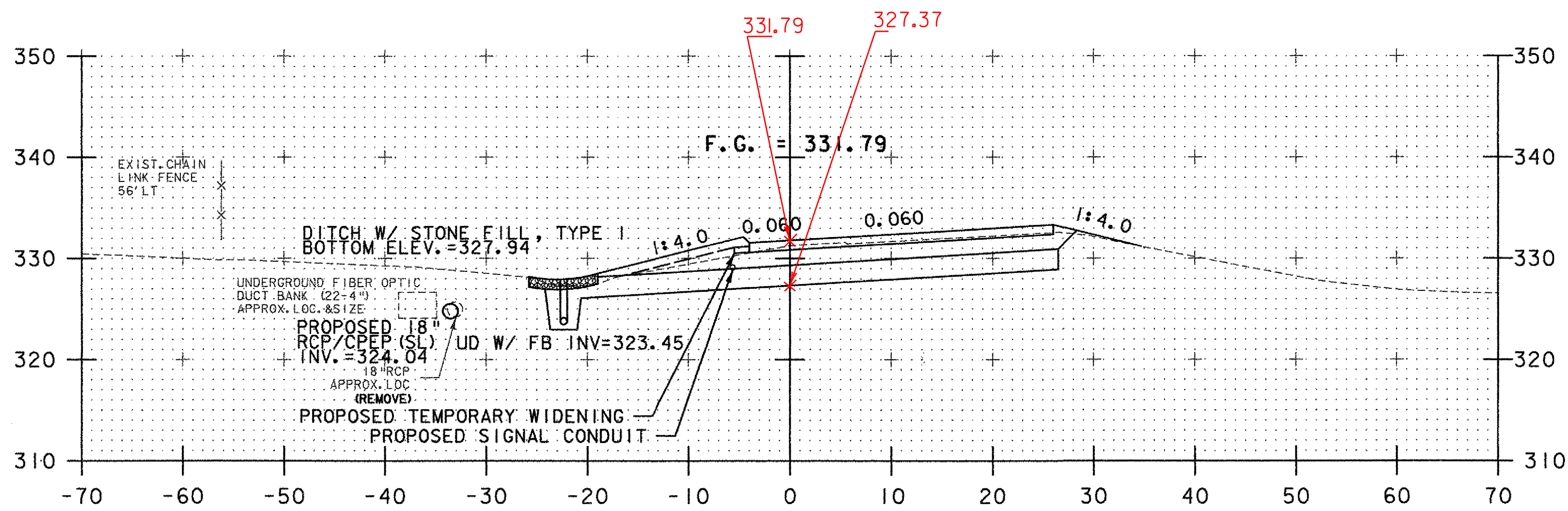


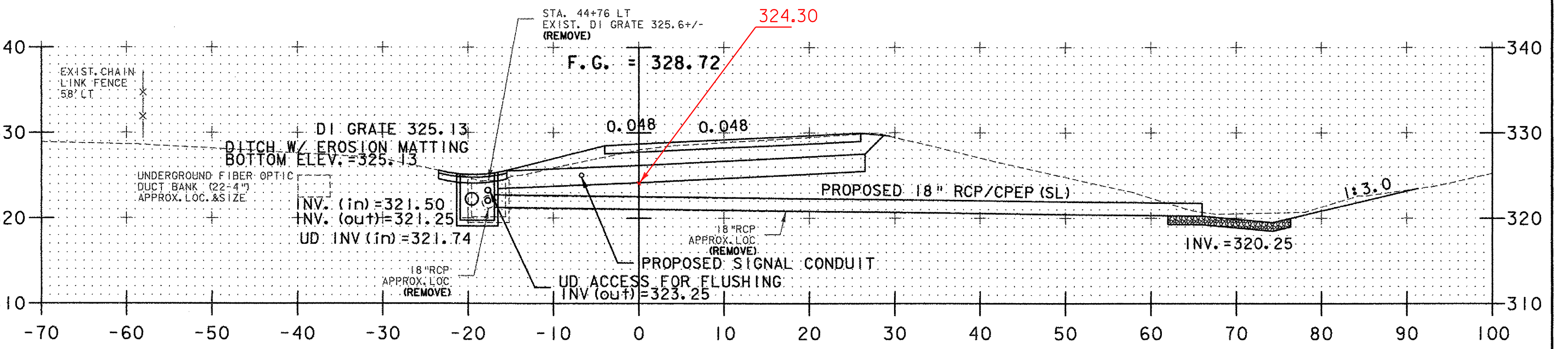
44+50



45+00

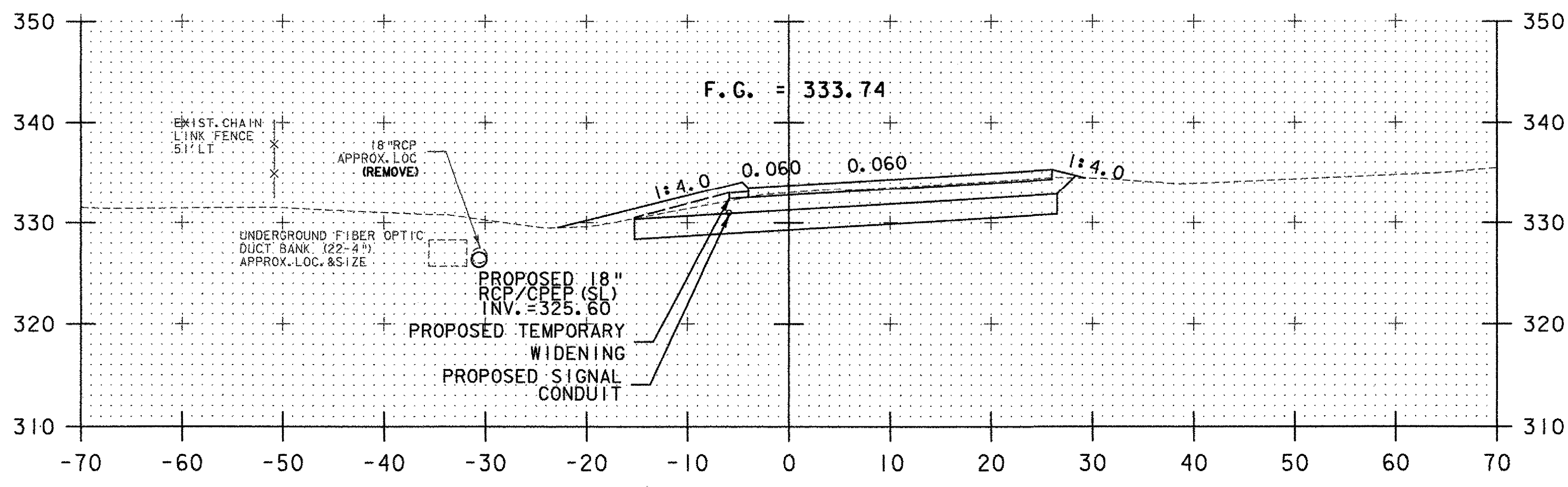


44+00

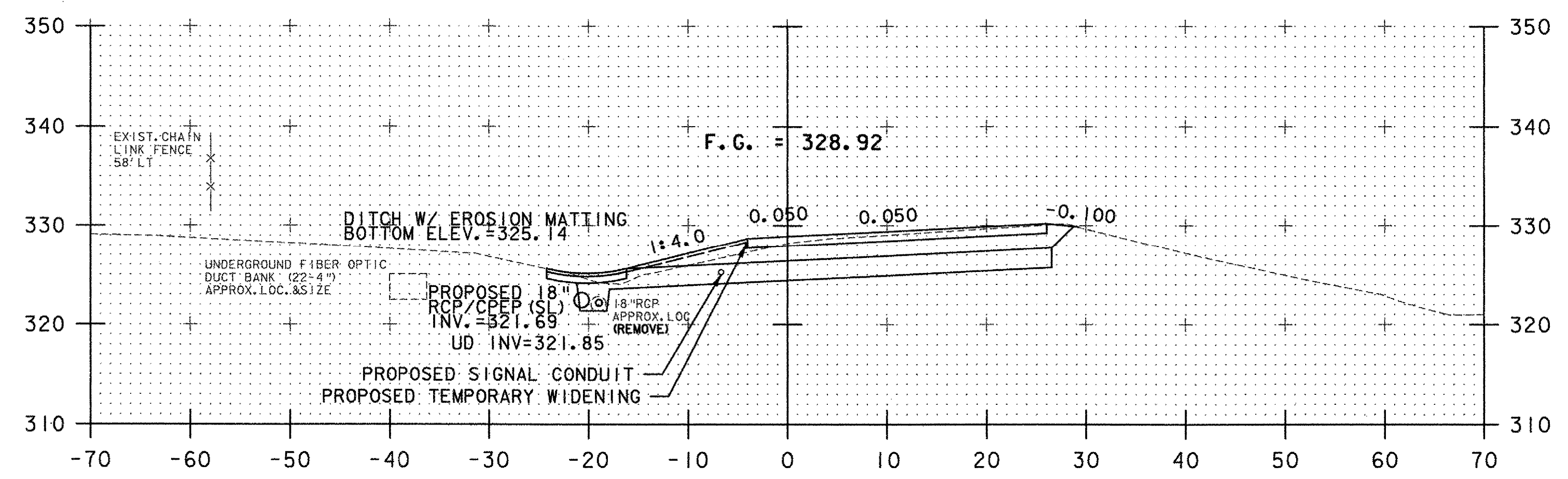


~~44+76.75~~

~~DI~~

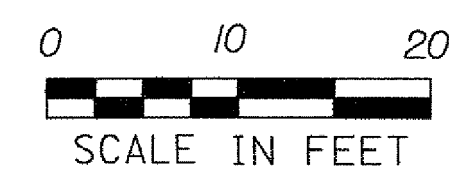


43+50



~~44+71.74 PT~~

RAMP "C" SECTIONS SHEET 3



STA. 43+50 TO STA. 45+00

DATUM
VERTICAL NAVD 88
HORIZONTAL NAD 83 (1996)

PROJECT NAME: SOUTH BURLINGTON
PROJECT NUMBER: IM 089-3(37)
FILE NAME: z03a178xs.dgn
PROJECT LEADER: KEN UPMAL
DESIGNED BY: E. ATKINS
PLOT DATE: 5/5/2006
DRAWN BY: E. ATKINS
CHECKED BY: K. ISHIKURA
SHEET 84 OF 99