

**PHASE 2
RAMP "D"**

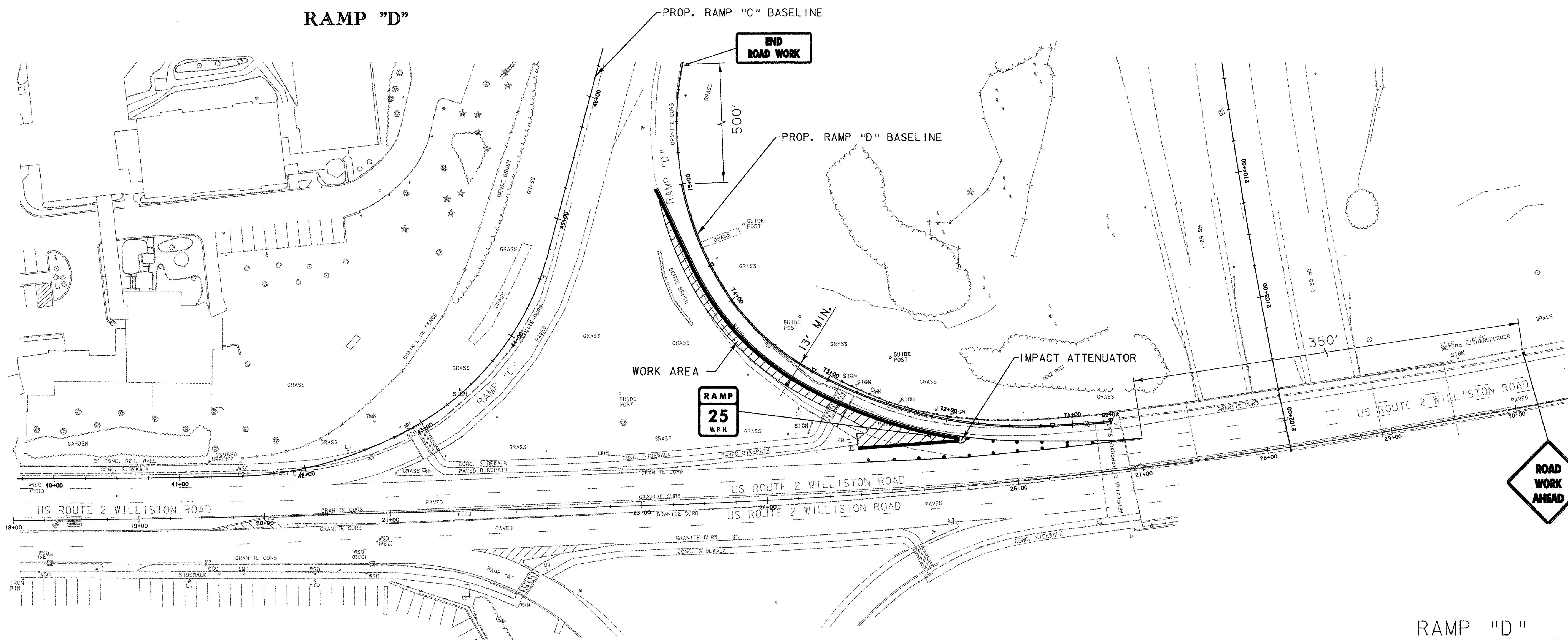
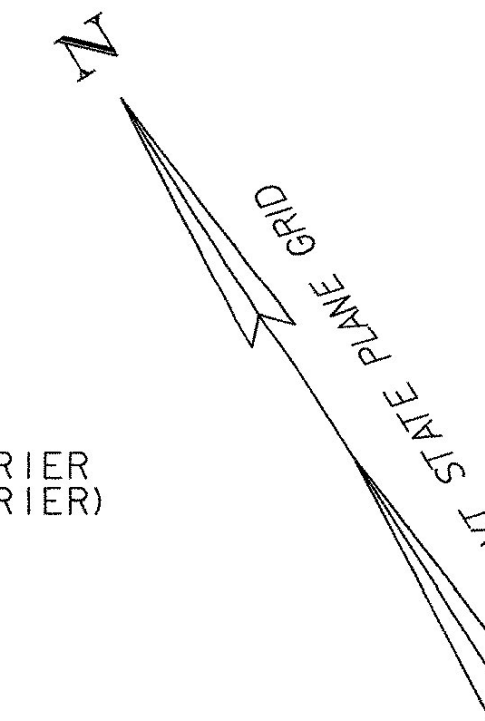
TEMPORARY 4" WHITE LINE
RAMP 'D' 70+50 ~ 75+00 LT - SOLID EDGE LINE

TEMPORARY 4" YELLOW LINE
RAMP 'D' 72+00 ~ 75+00 LT - SOLID EDGE LINE

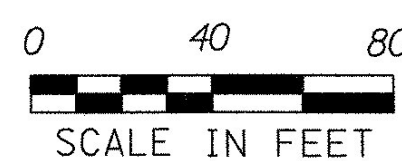
TEMPORARY 8" WHITE LINE
US ROUTE 2 27+00 ~ 24+75 LT - SOLID EDGE LINE
US ROUTE 2 27+00 LT ~ RAMP 'D' 72+00 LT - SOLID EDGE LINE

LEGEND

- WORK AREA
- TEMPORARY WIDENING
- REFLECTORIZED DRUM
- TEMPORARY TRAFFIC BARRIER (PRECAST CONCRETE BARRIER)
- FLASHING ARROW BOARD
- IMPACT ATTENUATOR
- TEMPORARY PAVEMENT MARKINGS



DATUM
VERTICAL NAVD 88
HORIZONTAL NAD 83 (1996)



**RAMP "D"
TRAFFIC MANAGEMENT PLAN
PHASE 2**

PROJECT NAME: SOUTH BURLINGTON	PLOT DATE: 5/5/2006
PROJECT NUMBER: IM 089-3(37)	DRAWN BY: W.WONG
FILE NAME: z03a178tmp.dgn	CHECKED BY: K.ISHIKURA
PROJECT LEADER: KEN UPMAL	SHEET 81 OF 99
DESIGNED BY: E.ATKINS/W.WONG	
SHEET 2 OF 2	