

RAMP "C" SEQUENCING NOTES:

- 1) FOR PHASE 1A, INSTALL TEMPORARY TRAFFIC BARRIERS AT THE EDGE OF PAVEMENT ALONG RAMP "C" SUCH THAT THE FACE OF THE BARRIERS WILL NOT ENCR OACH UPON EXISTING PAVEMENT OF RAMP "C". PHASE 1B SHALL NOT COMMENCE UNTIL ALL WORK IS COMPLETED UNDER PHASE 1A.
- 2) FOR PHASE 1B, INSTALL TEMPORARY TRAFFIC BARRIERS ALONG RAMP "C". MAINTAIN A 13' TRAVEL LANE WIDTH FROM EAST EDGE OF EXISTING RAMP "C".
- 3) FOR PHASE 1, EXCAVATE AND CONSTRUCT SAND BORROW, GRAVEL BORROW AND BASE COURSE IN TWO LIFTS FOR THE WIDENING PORTION OF RAMP "C".
- 4) FOR PHASE 2, RELOCATE TEMPORARY TRAFFIC BARRIERS ON THE NEWLY CONSTRUCTED BASE COURSE. MAINTAIN A 13' TRAVEL LANE WIDTH.
- 5) FOR PHASE 2, EXCAVATE AND CONSTRUCT SAND BORROW, GRAVEL BORROW AND BASE COURSE FOR THE REMAINING PORTION OF RAMP "C".
- 6) PAVE BINDER COURSE IN STAGES. MAINTAIN A MINIMUM OF ONE 13' TRAVEL LANE.
- 7) PAVE SURFACE COURSE IN STAGES. MAINTAIN A MINIMUM OF ONE 13' TRAVEL LANE.
- 8) RELOCATE PRECAST CONCRETE BARRIERS ON THE NEW PAVEMENT. MAINTAIN A 20' RAMP PAVEMENT WIDTH.
- 9) REMOVE PRECAST CONCRETE BARRIERS AFTER ALL THE TRAFFIC SIGNAL WORK IS COMPLETED ALONG ROUTE 2.
- 10) "YIELD" AND "YIELD AHEAD" SIGNS ARE ONLY REQUIRED IF THE ROUTE 2 WIDENING HAS BEEN COMPLETED SUCH THAT THE RAMP "C" TRAFFIC WILL BE ENTERING INTO THE ACTIVE LANE.

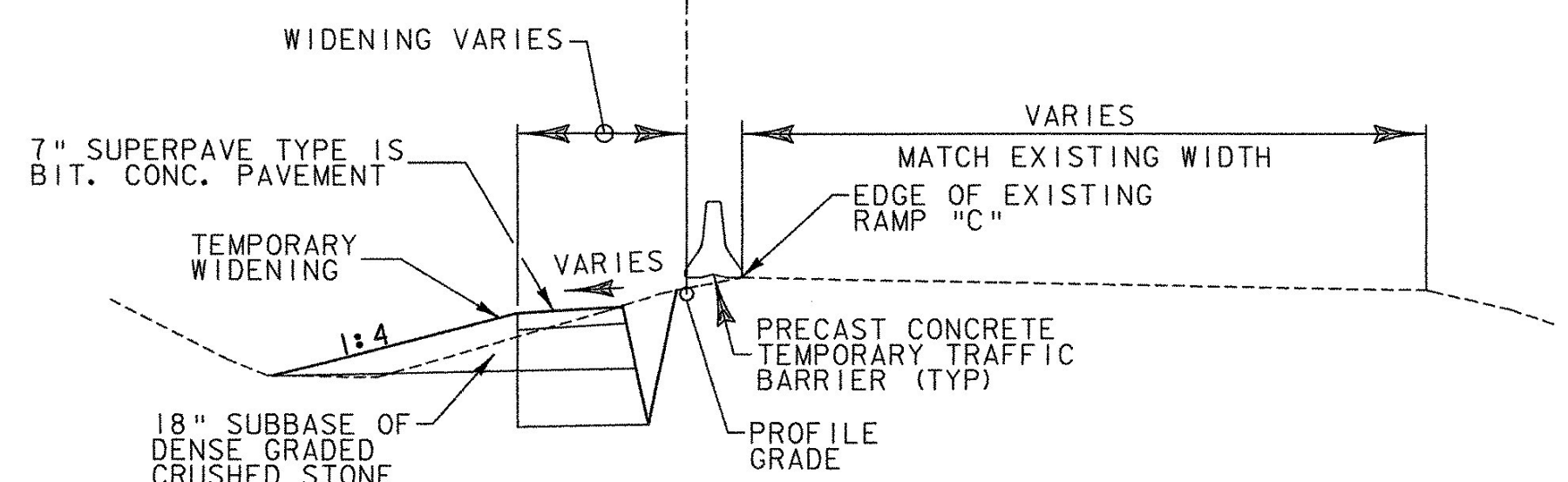
GENERAL TRAFFIC MAINTENANCE NOTES:

- 1) EXCAVATION FOR GRAVEL SUBBASE AND SAND BORROW SHALL NOT EXCEED 200' IN LENGTH ALONG RAMP OR HALF A DAY OF WORK. AT THE END OF A WORKING DAY, BACKFILLING AND COMPACTION OF GRAVEL SUBBASE AND SAND BORROW SHALL BE COMPLETED.
- 2) ELEVATION DIFFERENCES BETWEEN A PORTION OF RAMP OPENED FOR TRAFFIC AND A PORTION OF RAMP CONSTRUCTED SHALL NOT EXCEED 18" DURING NON-WORKING HOURS.
- 3) ALL EXISTING PAVEMENT MARKINGS IN CONFLICT WITH PROPOSED TEMPORARY PAVEMENT MARKINGS SHALL BE REMOVED.
- 4) CONTRACTOR SHALL RELOCATE OR COVER ALL EXISTING SIGNS WHERE THEY WOULD CONFLICT WITH CONSTRUCTION SIGNAGE.
- 5) SEE PEDESTRIAN DETOUR PLAN ON THIS SHEET FOR PEDESTRIAN DETOUR.
- 6) THE CONTRACTOR SHALL BE RESPONSIBLE FOR LOCATING CONSTRUCTION SIGNAGE SO AS NOT TO INTERFERE OR OBSTRUCT THE VIEW OF EXISTING TRAFFIC CONTROL DEVICES, STOPPING SIGHT DISTANCE AND CORNER SIGHT DISTANCE.
- 7) ALL TEMPORARY TRAFFIC BARRIERS SHALL BE DELINEATED IN ACCORDANCE WITH THE STANDARD SPECIFICATIONS AND THE "MANUAL ON UNIFORM TRAFFIC CONTROL DEVICES".
- 8) PHASING WORK SHOWN HERE IS SCHEMATIC ONLY. THE CONTRACTOR SHALL BE RESPONSIBLE FOR DEVELOPING APPROPRIATE CONSTRUCTION METHODS AND APPLICABLE TRAFFIC MAINTENANCE PLANS FOR ALL TRANSITION WORK BETWEEN PHASES.
- 9) THE PLACING AND RELOCATING OF TEMPORARY TRAFFIC BARRIERS AND ANY WORK REQUIRING LANE CLOSURES SHALL ONLY TAKE PLACE DURING THE HOURS OF 7:00PM - 6:00AM.
- 10) PORTABLE MESSAGE BOARDS SHALL BE USED AS ADVANCE WARNING SIGNS. THE PLACEMENT OF THESE BOARDS SHALL BE DETERMINED BY THE ENGINEER IN THE FIELD.

MATCHLINE STA. 52+00
TRAFFIC MANAGEMENT PLAN
RAMP "C" PHASE 1A SHEET 2

PLACE FACE OF TEMPORARY TRAFFIC BARRIERS AT EXISTING RAMP "C" EDGE OF PAVEMENT (TYP.)

IF REQUIRED SEE RAMP "C" SEQUENCING NOTES 10

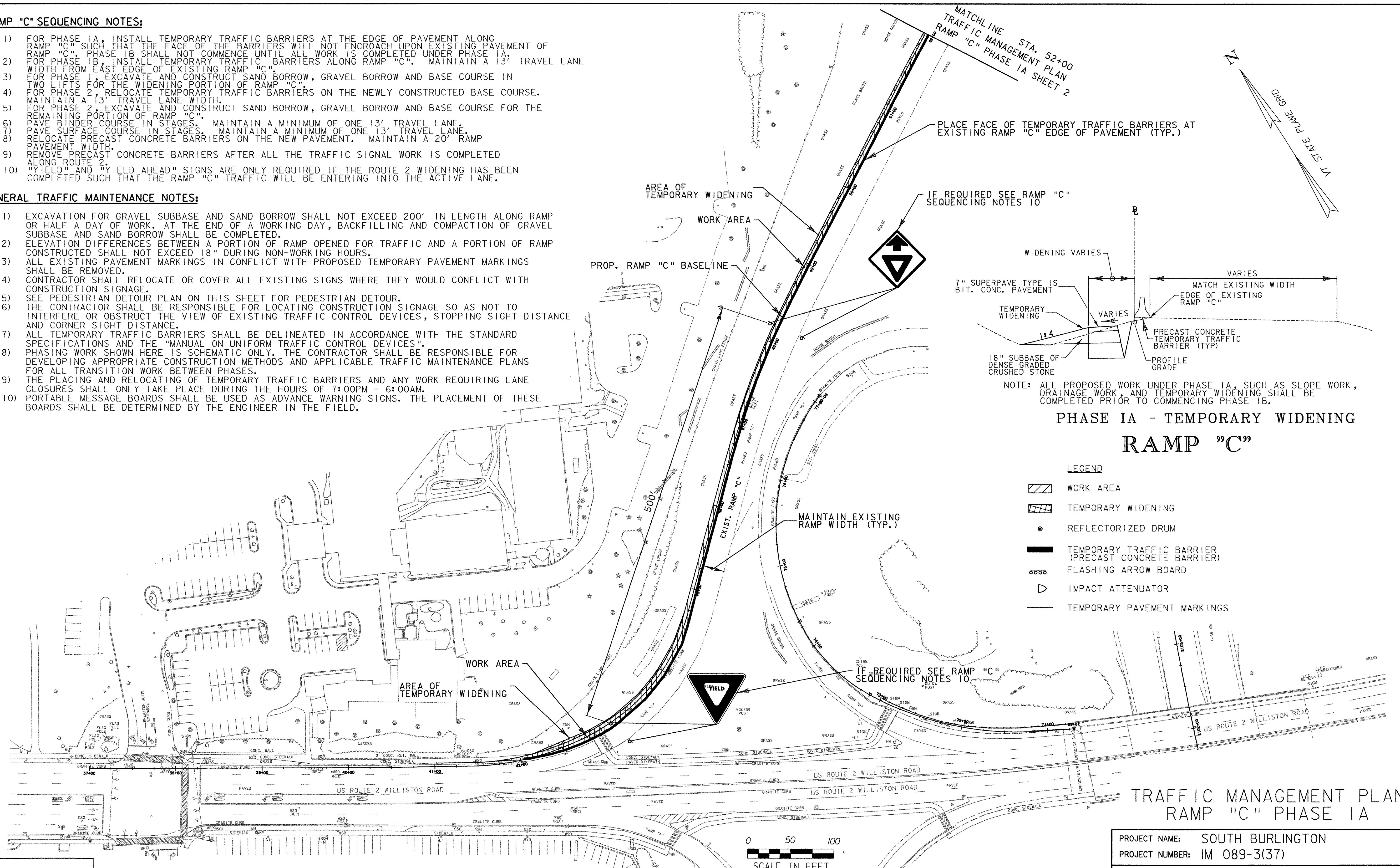


NOTE: ALL PROPOSED WORK UNDER PHASE 1A, SUCH AS SLOPE WORK, DRAINAGE WORK, AND TEMPORARY WIDENING SHALL BE COMPLETED PRIOR TO COMMENCING PHASE 1B.

PHASE 1A - TEMPORARY WIDENING RAMP "C"

LEGEND

- WORK AREA
- TEMPORARY WIDENING
- REFLECTORIZED DRUM
- TEMPORARY TRAFFIC BARRIER (PRECAST CONCRETE BARRIER)
- FLASHING ARROW BOARD
- IMPACT ATTENUATOR
- TEMPORARY PAVEMENT MARKINGS



DATUM
VERTICAL NAVD 88
HORIZONTAL NAD 83 (1996)

PROJECT NAME: SOUTH BURLINGTON
PROJECT NUMBER: IM 089-3(37)
FILE NAME: z03a178tmp.dgn
PROJECT LEADER: KEN UPMAL
DESIGNED BY: E.ATKINS/P.MILEWSKI
SHEET 1 OF 2
PLOT DATE: 5/22/2006
DRAWN BY: P.MILEWSKI
CHECKED BY: K.JSHIKURA
SHEET 74 OF 99

TRAFFIC MANAGEMENT PLAN RAMP "C" PHASE 1A