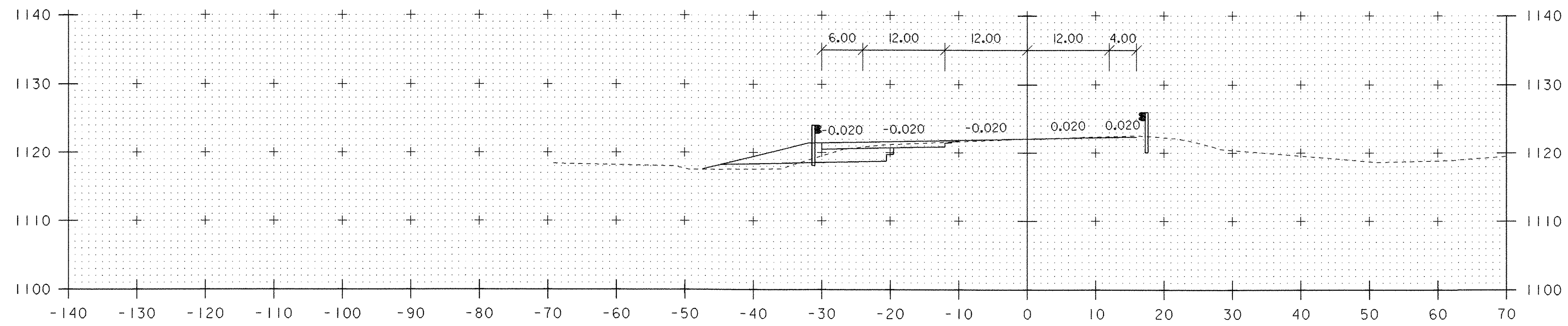
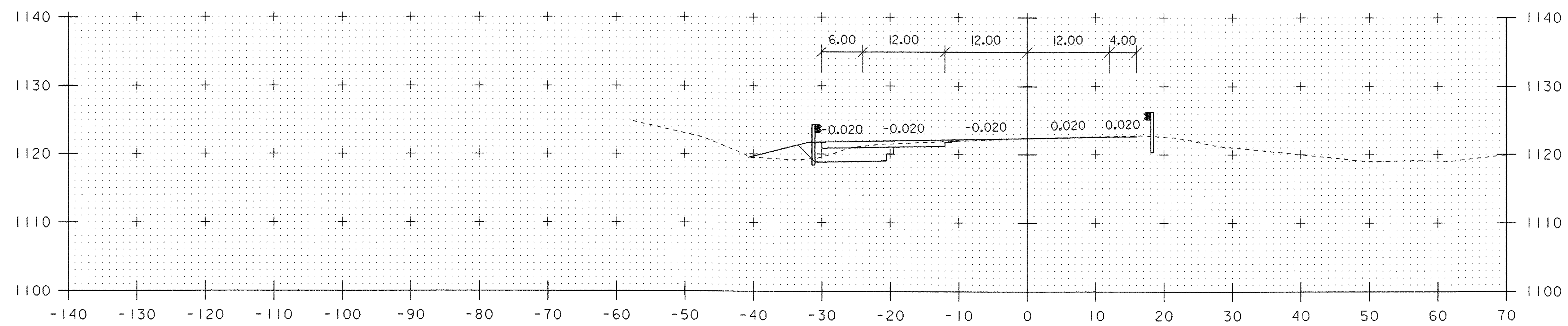


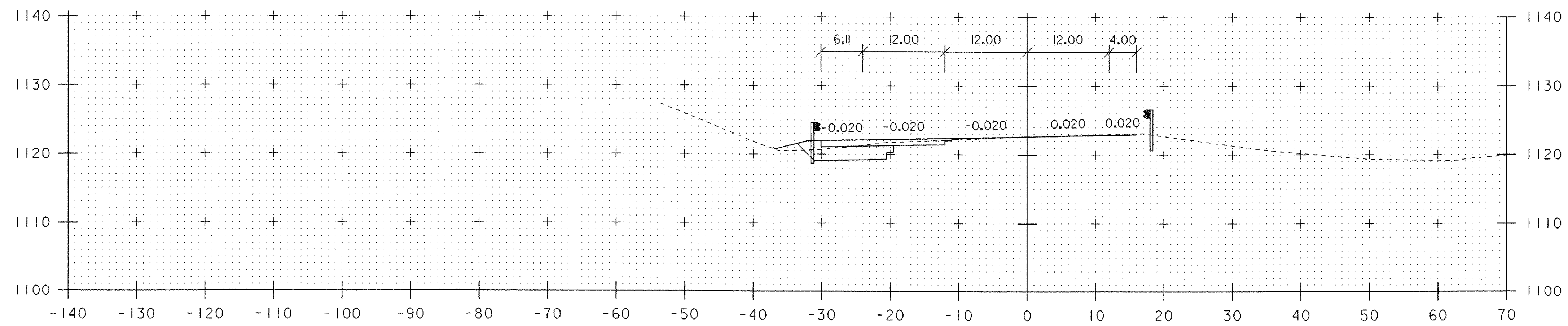
SB CROSS SECTIONS



2002+75



2002+50



2002+25

PROJECT NAME: DERBY	PLOT DATE: 17-JUL-2006
PROJECT NUMBER: IM 091-3(41)	DRAWN BY: J. L. SCHULTZ
FILE NAME: 03A088/DESIGN/D03A088XS	CHECKED BY: A. BOMBARDIER
PROJECT LEADER: A. J. BOMBARDIER	SHEET 17 OF 20
DESIGNED BY: J. L. SCHULTZ	
CROSS SECTION SHEET 3	