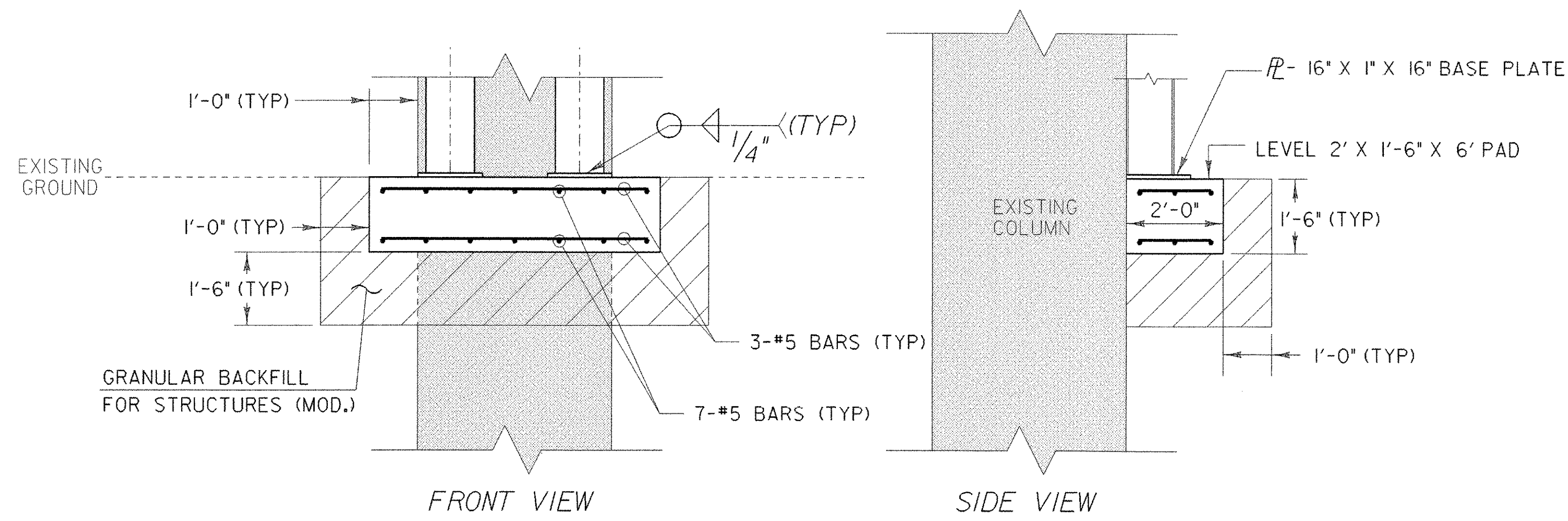


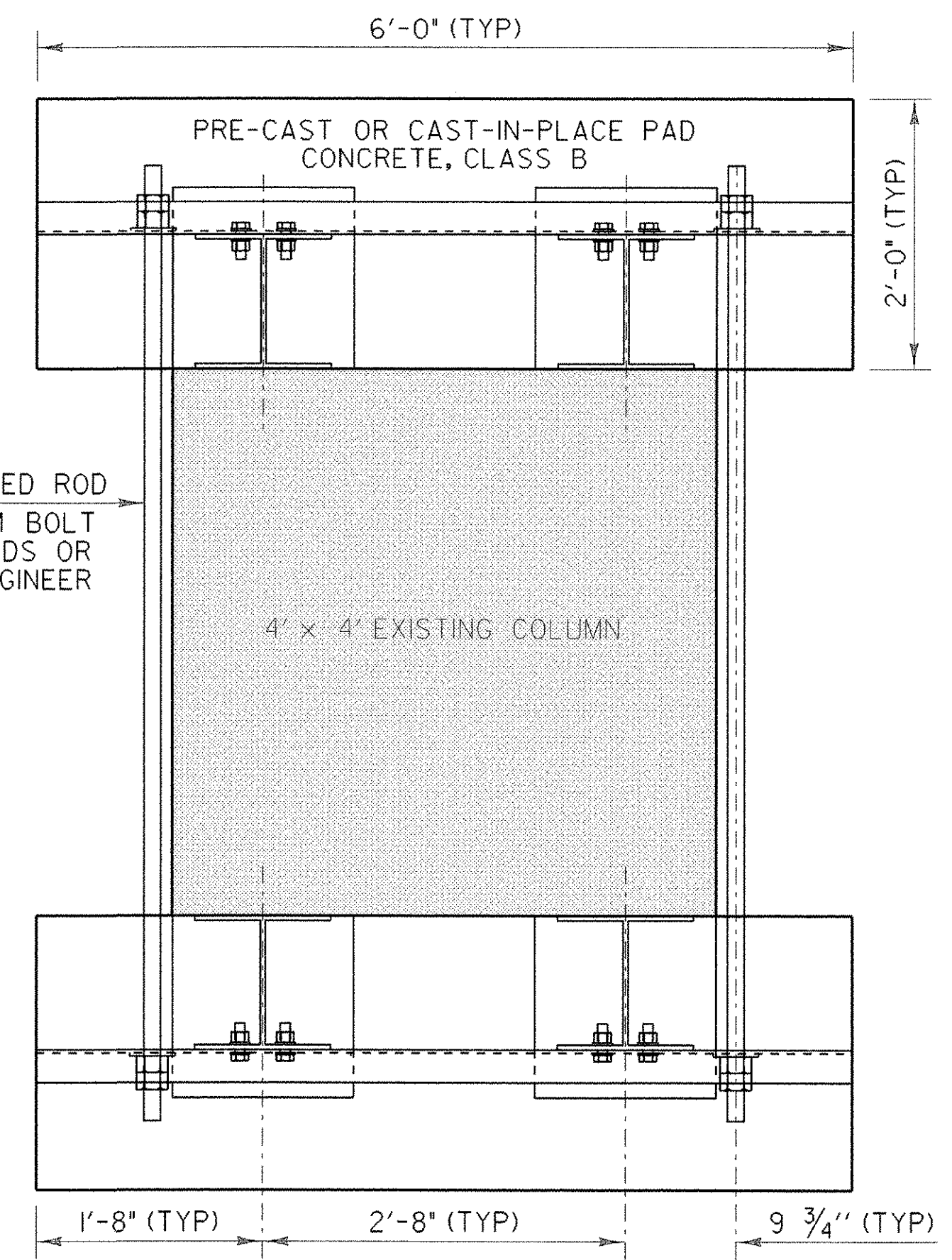
NOTE: MINIMUM CONCRETE COVER OF 3" REQUIRED FOR REINFORCING STEEL.



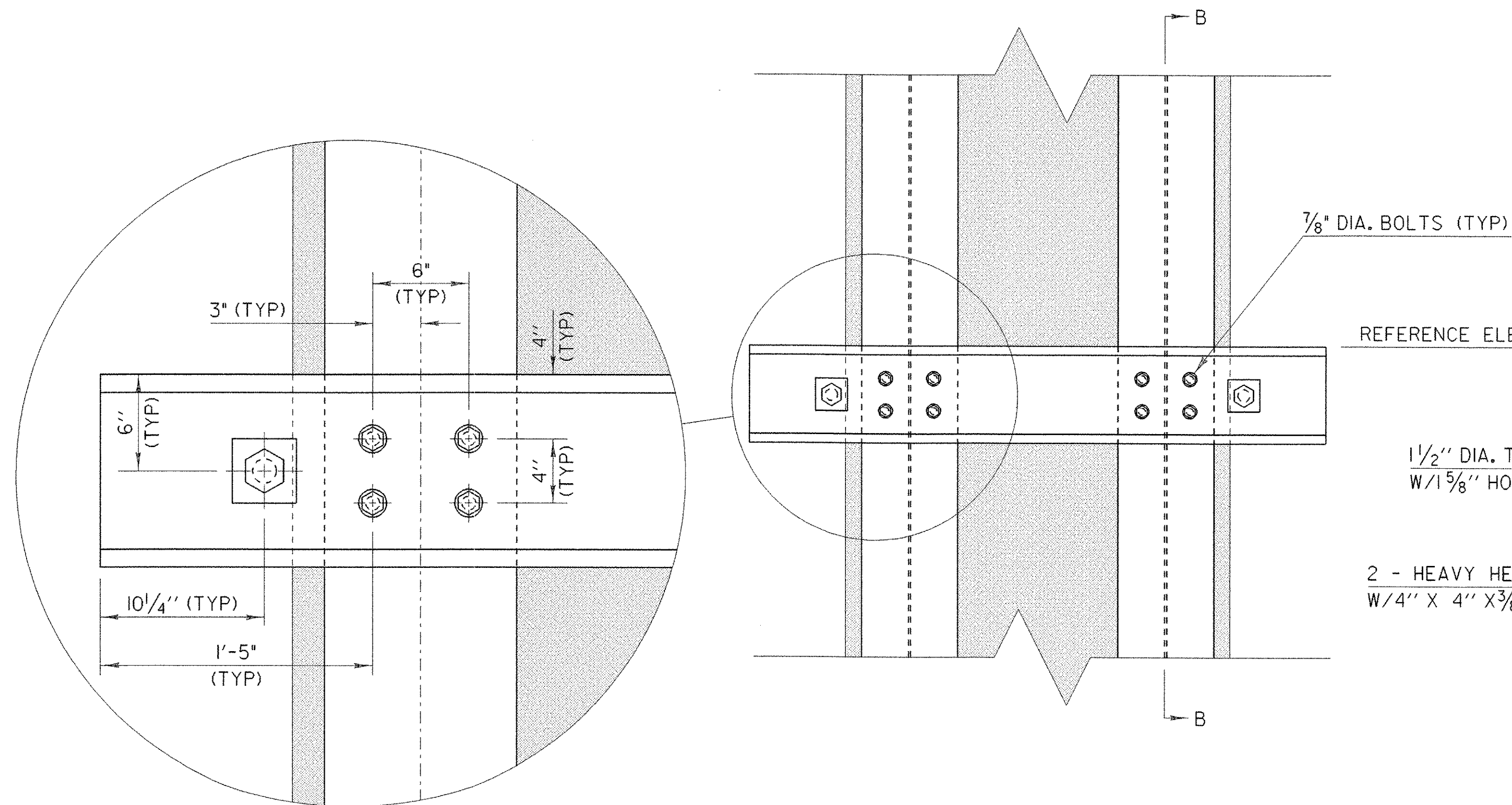
BASE PLATE AND PAD DETAILS



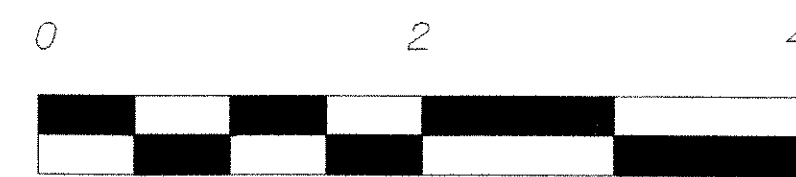
1 1/2" DIA. X 7'-0" THREADED ROD
TIGHTENED TO A MINIMUM BOLT
TENSION OF 10,000 POUNDS OR
AS DIRECTED BY THE ENGINEER



FRAMING DETAIL PLAN



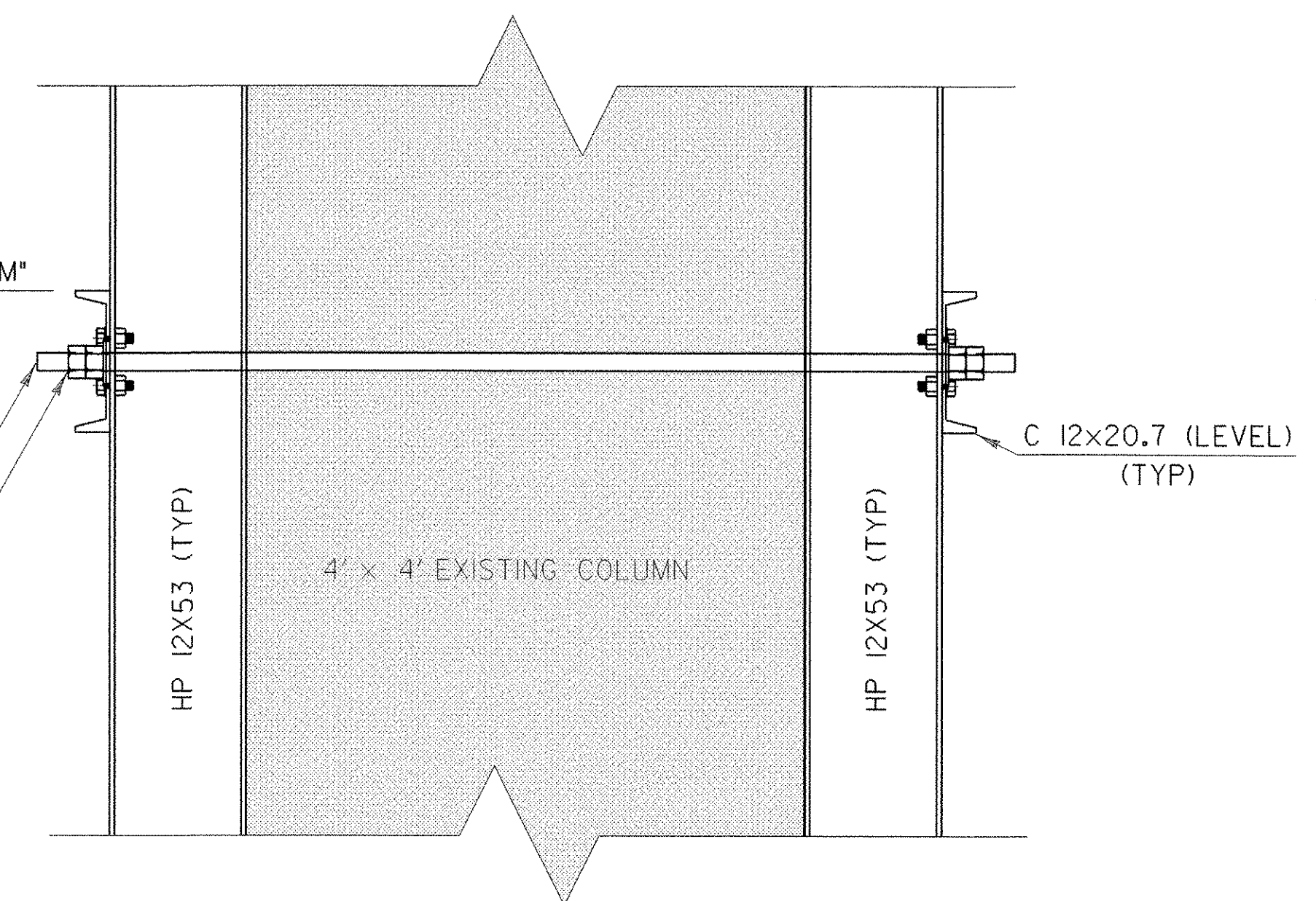
FRAMING DETAIL ELEVATION



REFERENCE ELEVATIONS 'J', 'K', 'L', 'M'

1 1/2" DIA. THREADED ROD (TYP)
W/1 5/8" HOLE (TYP)

2 - HEAVY HEX NUTS (TYP)
W/4" X 4" X 3/8" WASHER (TYP)



SECTION B - B

PROPOSED CONNECTION DETAILS

PROJECT NAME: BRATTLEBORO
PROJECT NUMBER: ST 091 - (152)

FILE NAME: 03A050/str/s03a050.DGN
PROJECT LEADER: S. FARNSWORTH
DESIGNED BY: S. FARNSWORTH
s03a050det.1

PLOT DATE: 24-JUN-2004
DRAWN BY: S. MORIN
CHECKED BY: M. FOWLER
SHEET 5 OF 15