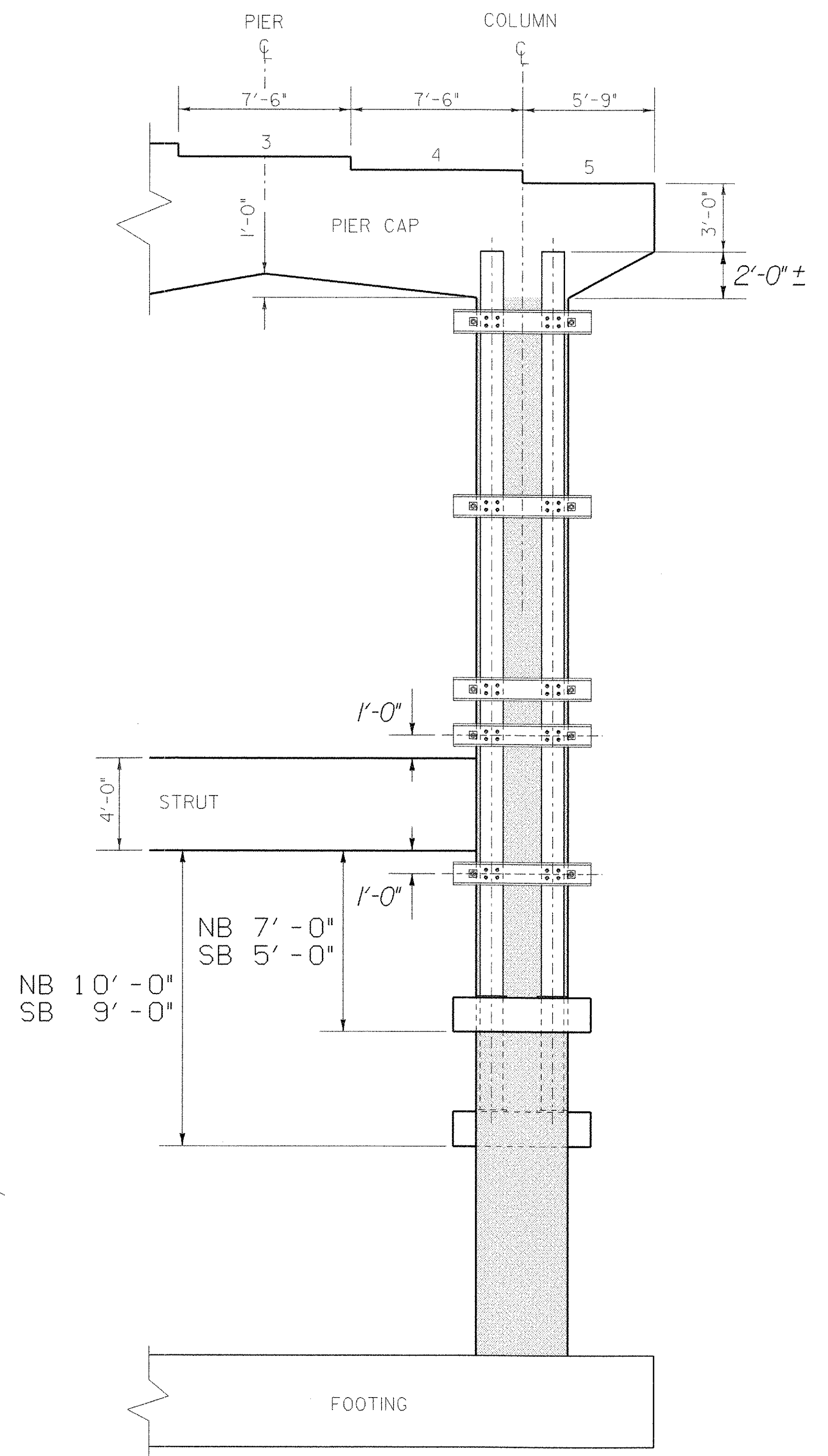
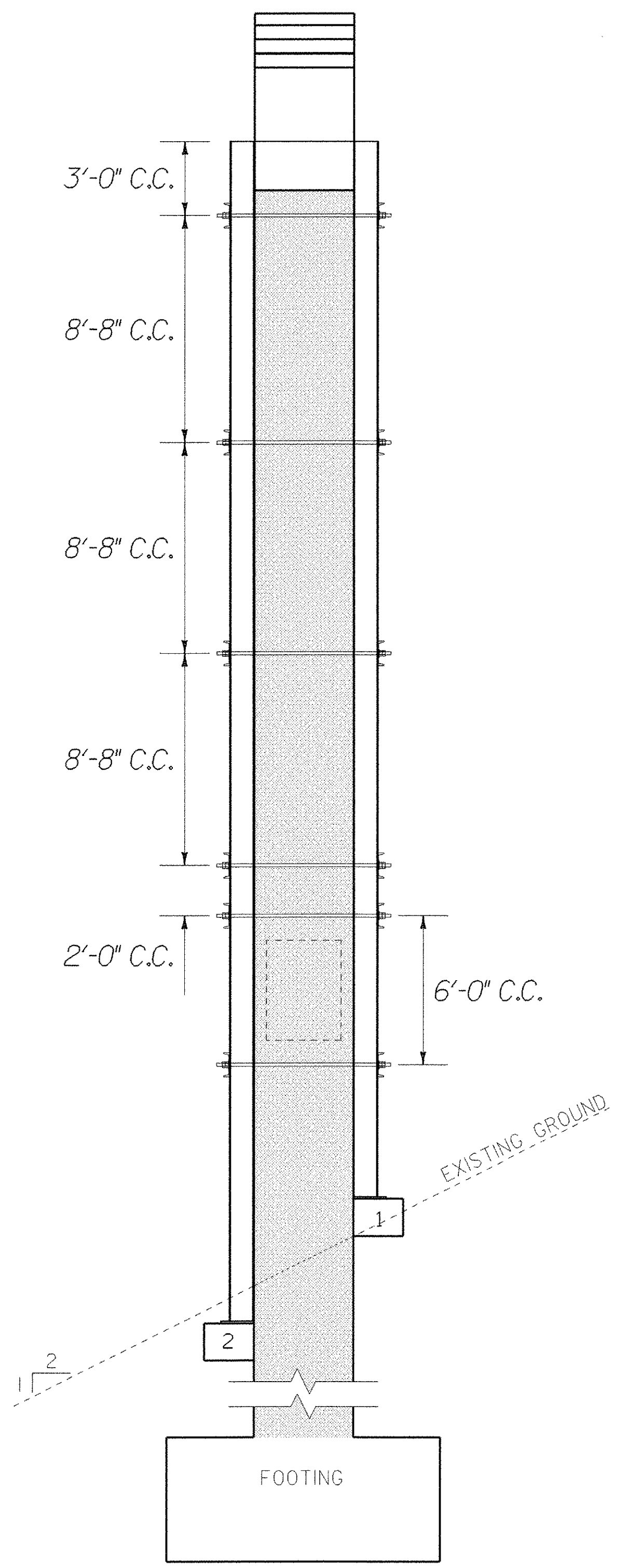


SIDE ELEVATION OF NB PIER #1



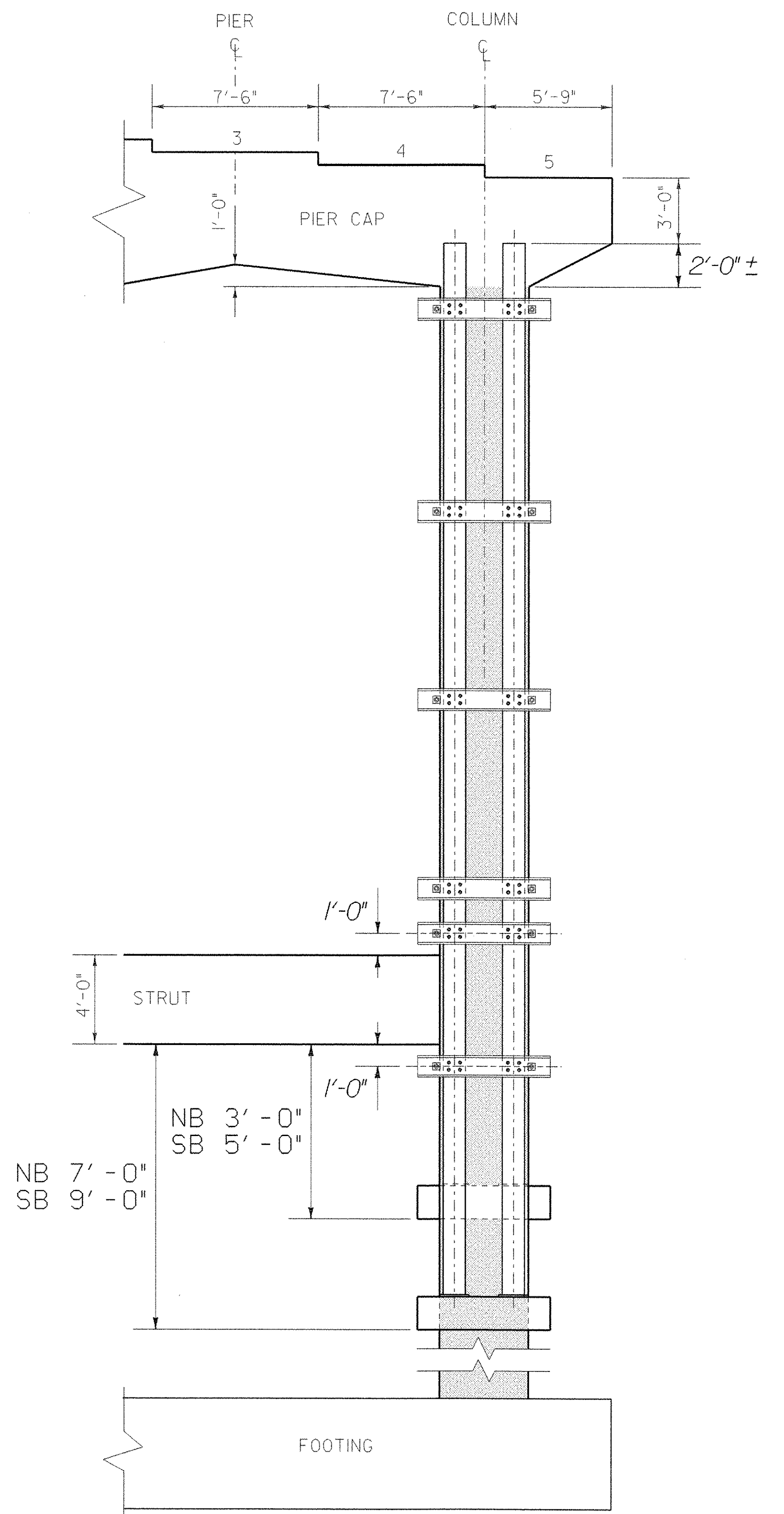
NB PIER #1 ELEVATION

NOTE: SOUTHBOUND (SB) PIER #1 SIMILAR.



SIDE ELEVATION OF NB PIER #4

NOTE: SOUTHBOUND (SB) PIER #4 SIMILAR.



NB PIER #4 ELEVATION

PIER 1 & 4 PROPOSED SPLINT/REINFORCEMENT DETAILS

NOT TO SCALE	
PROJECT NAME:	BRATTLEBORO
PROJECT NUMBER:	ST 091 - (K52)
FILE NAME:	03a050/str/s03a050.dgn
PROJECT LEADER:	S. FARNSWORTH
DESIGNED BY:	S. FARNSWORTH
PLOT DATE:	24-JUN-2004
DRAWN BY:	S. MORIN
CHECKED BY:	M. FOWLER
	SHEET 3 OF 15