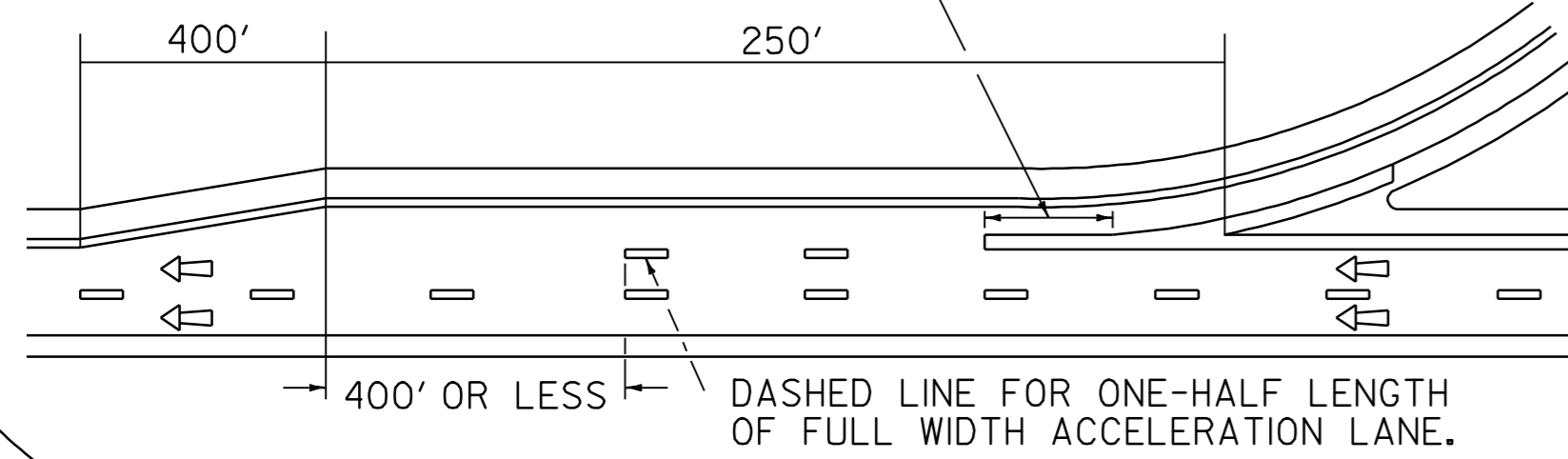
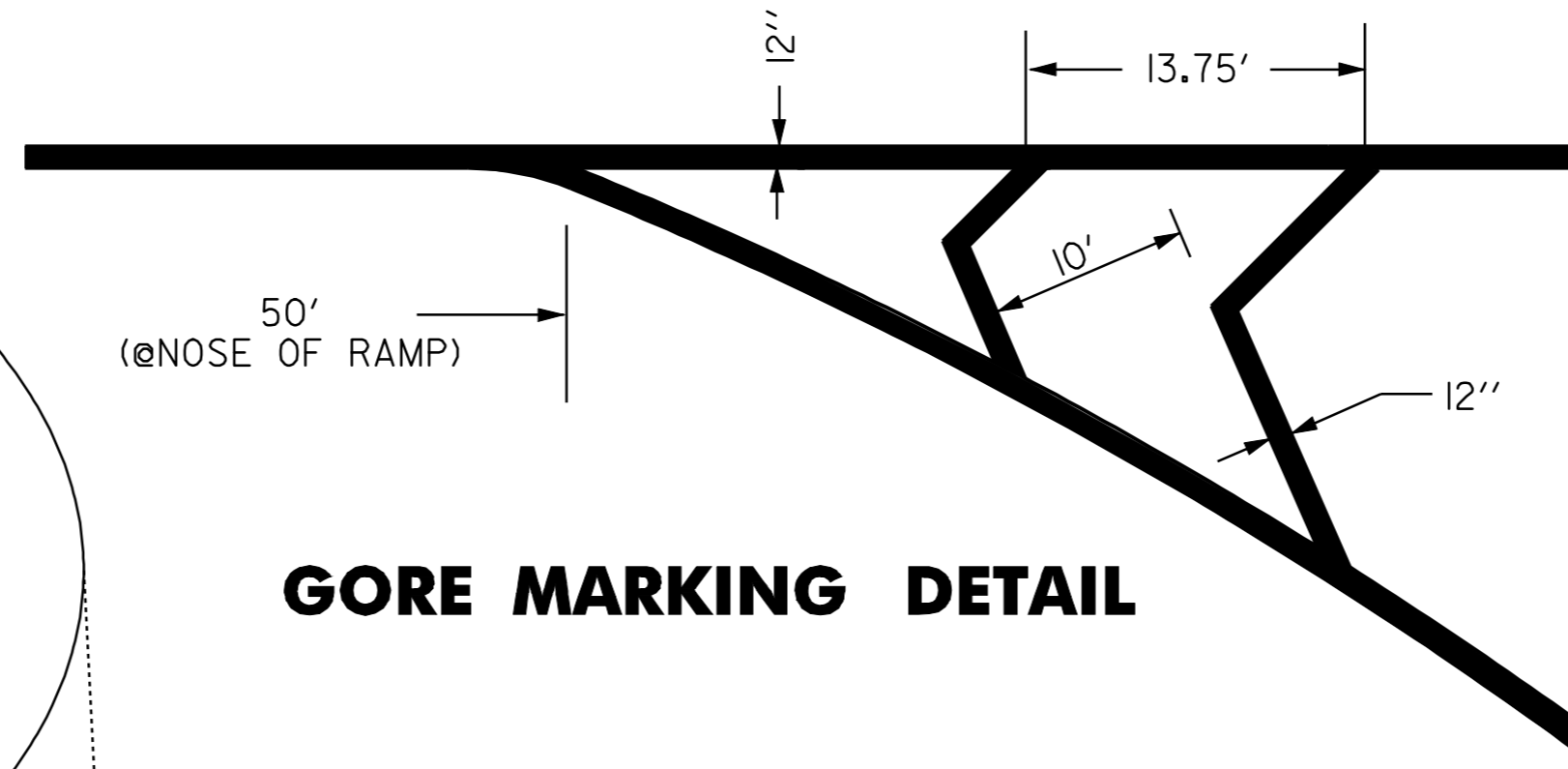


* USE LONGER LENGTH TO EMPHASIZE SITUATIONS WHERE THE CROSSING REQUIRES UNUSUAL CARE SUCH AS HIGH VOLUME MERGE AREAS.

* 50' - 200' TYP.



PARALLEL ACCELERATION LANE



GORE MARKING DETAIL

646.50 DURABLE LETTER OR SYMBOL

EXIT # 9 OFF RAMP 'D' (S, T, O, P), (S, T, O, P)
(A, H, E, A, D) (13 EA.)

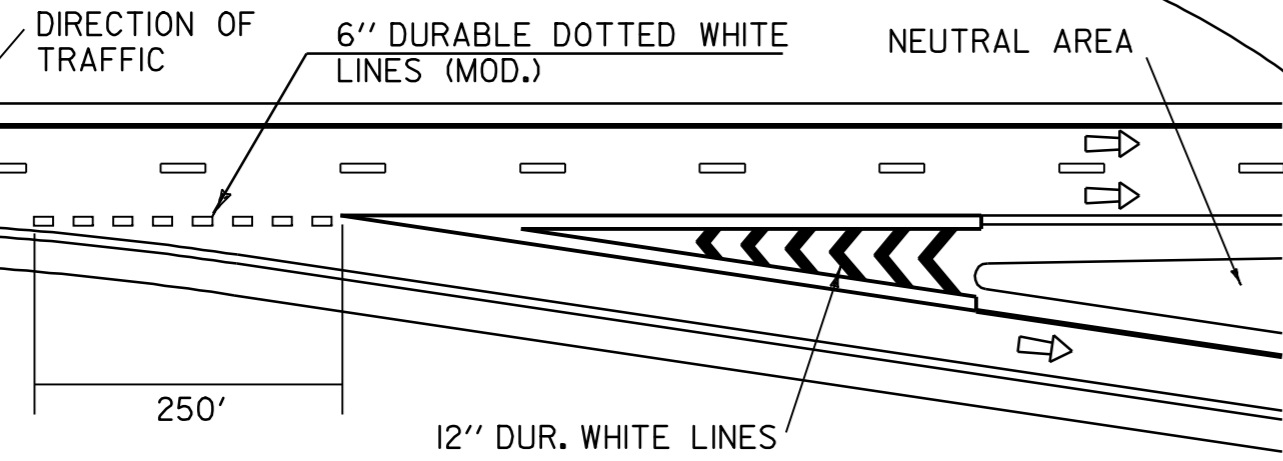
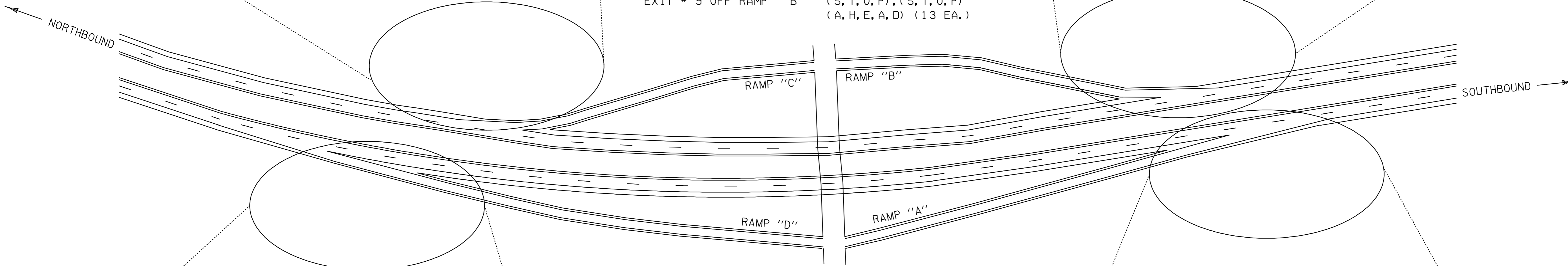
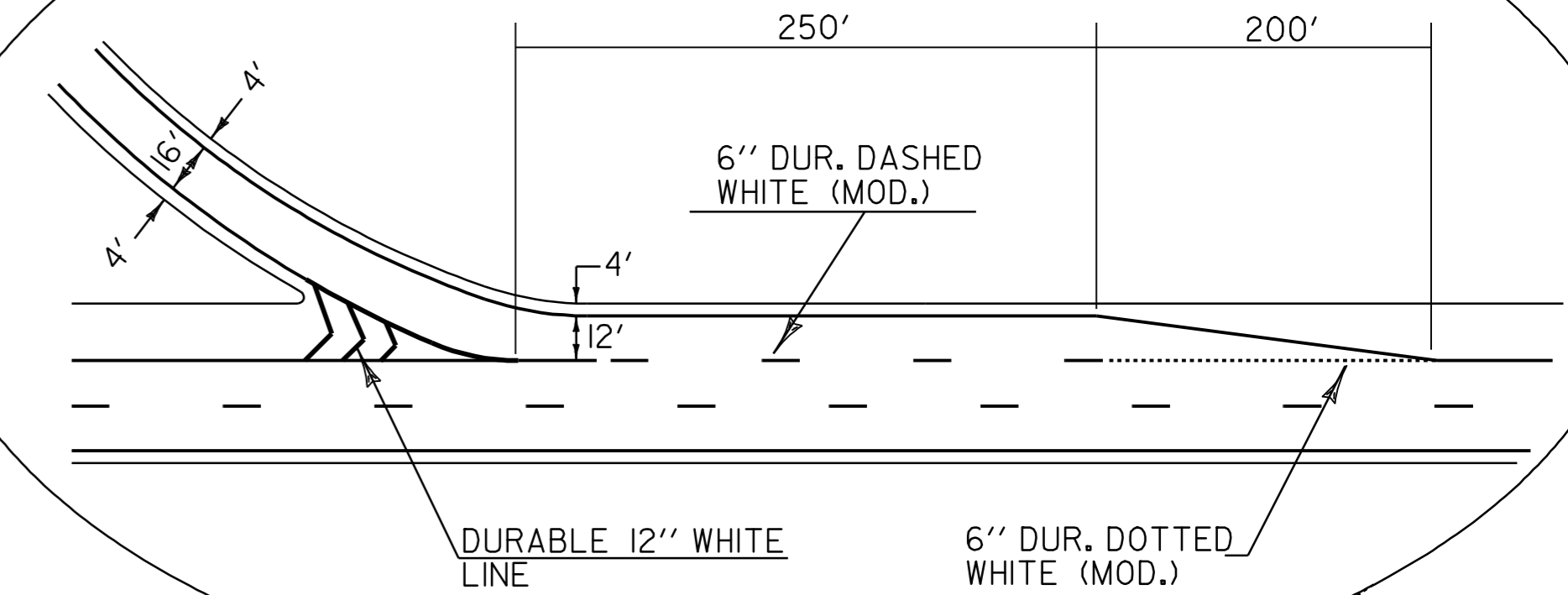
EXIT # 9 OFF RAMP 'B' (S, T, O, P), (S, T, O, P)
(A, H, E, A, D) (13 EA.)

646.70 TEMPORARY LETTER OR SYMBOL

EXIT # 9 OFF RAMP 'D' (S, T, O, P), (S, T, O, P)
(A, H, E, A, D) (13 EA.)

EXIT # 9 OFF RAMP 'B' (S, T, O, P), (S, T, O, P)
(A, H, E, A, D) (13 EA.)

SEE STANDARD E-191M FOR RAMP STRIPING DETAILS



TRANSVERSE LINES SHALL CONSIST OF A WHITE LINE 2 TIMES WIDER THAN THE MAIN LINE MARKING WIDTH SPACED 5'-0" C-C AND SET AT 45° TO MAIN LINE EDGE LINES. THESE MARKINGS SHALL BE USED TO INCREASE VISIBILITY DUE TO DIFFICULT VERTICAL OR HORIZONTAL ALIGNMENT, AS DIRECTED BY THE RESIDENT ENGINEER.

TAPERED DECELERATION LANE

646.414 DURABLE 6'' WHITE LINE (MOD.)

EXIT # 9 SB OFF RAMP 'D' SOLID RT (1320')

EXIT # 9 SB OFF RAMP 'D' DOTTED (64')

EXIT # 9 SB ON RAMP 'A' SOLID RT (1537')

EXIT # 9 SB ON RAMP 'A' DASH (60')

EXIT # 9 NB OFF RAMP 'B' SOLID RT (1051')

EXIT # 9 NB OFF RAMP 'B' DOTTED (79')

EXIT # 9 NB OFF RAMP 'B' DASH (30')

EXIT # 9 NB ON RAMP 'C' SOLID RT (1152')

EXIT # 9 NB ON RAMP 'C' DASH (60')

646.614 TEMPORARY 6'' WHITE LINE

EXIT # 9 SB OFF RAMP 'D' SOLID RT (1320')

EXIT # 9 SB OFF RAMP 'D' DOTTED (64')

EXIT # 9 SB ON RAMP 'A' SOLID RT (1537')

EXIT # 9 SB ON RAMP 'A' DASH (60')

EXIT # 9 NB OFF RAMP 'B' SOLID RT (1051')

EXIT # 9 NB OFF RAMP 'B' DOTTED (79')

EXIT # 9 NB OFF RAMP 'B' DASH (30')

EXIT # 9 NB ON RAMP 'C' SOLID RT (1152')

EXIT # 9 NB ON RAMP 'C' DASH (60')

646.415 DURABLE 6'' YELLOW LINE (MOD.)

EXIT # 9 SB OFF RAMP 'D' SOLID LT (845')

EXIT # 9 SB ON RAMP 'A' SOLID LT (634')

EXIT # 9 NB OFF RAMP 'B' SOLID LT (576')

EXIT # 9 NB ON RAMP 'C' SOLID RT (533')

646.615 TEMPORARY 6'' YELLOW LINE

EXIT # 9 SB OFF RAMP 'D' SOLID LT (845')

EXIT # 9 SB ON RAMP 'A' SOLID LT (634')

EXIT # 9 NB OFF RAMP 'B' SOLID LT (576')

EXIT # 9 NB ON RAMP 'C' SOLID RT (533')

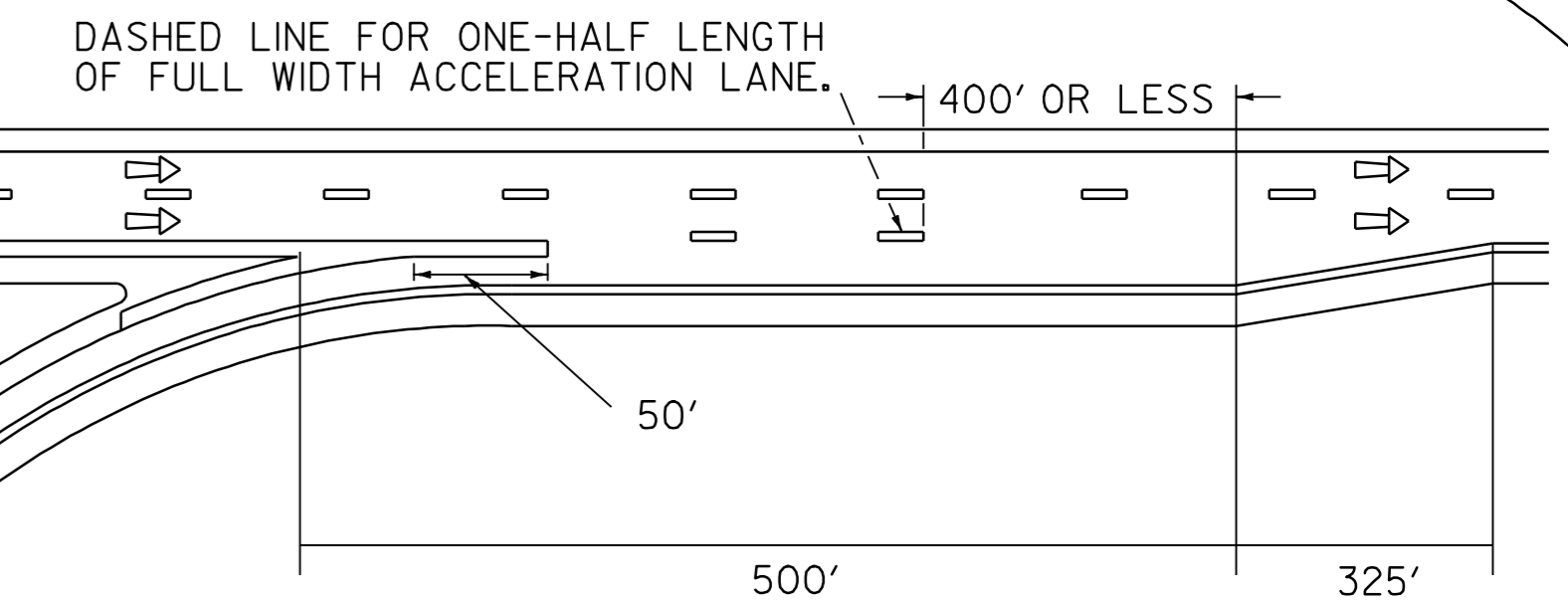
646.44 DURABLE 12' WHITE LINE LINE

EXIT # 9 SB OFF RAMP 'D' GORE AREA (528')

EXIT # 9 SB ON RAMP 'A' GORE AREA (528')

EXIT # 9 NB OFF RAMP 'B' GORE AREA (317')

EXIT # 9 NB ON RAMP 'C' GORE AREA (306')



PARALLEL ACCELERATION LANE

646.46 DURABLE 24' WHITE LINE LINE

EXIT # 9 SB OFF RAMP 'D' (20')

EXIT # 9 NB OFF RAMP 'B' (20')

646.66 TEMPORARY 12' WHITE LINE LINE

EXIT # 9 SB OFF RAMP 'D' (20')

EXIT # 9 NB OFF RAMP 'B' (20')

**INTERCHANGE#9
DETAIL SHEET 1**

PROJECT NAME: MONTPELIER - WATERBURY

PROJECT NUMBER: IM 089-2(34)

FILE NAME: 03a026\Pavement\pa026.dgn

PROJECT LEADER:

DESIGNED BY:

IPARM NAME: p03a026i#9a.1

PLOT DATE: 11-APR-2005 10:18

DRAWN BY:

CHECKED BY:

SHEET 16 OF 23

NOT TO SCALE