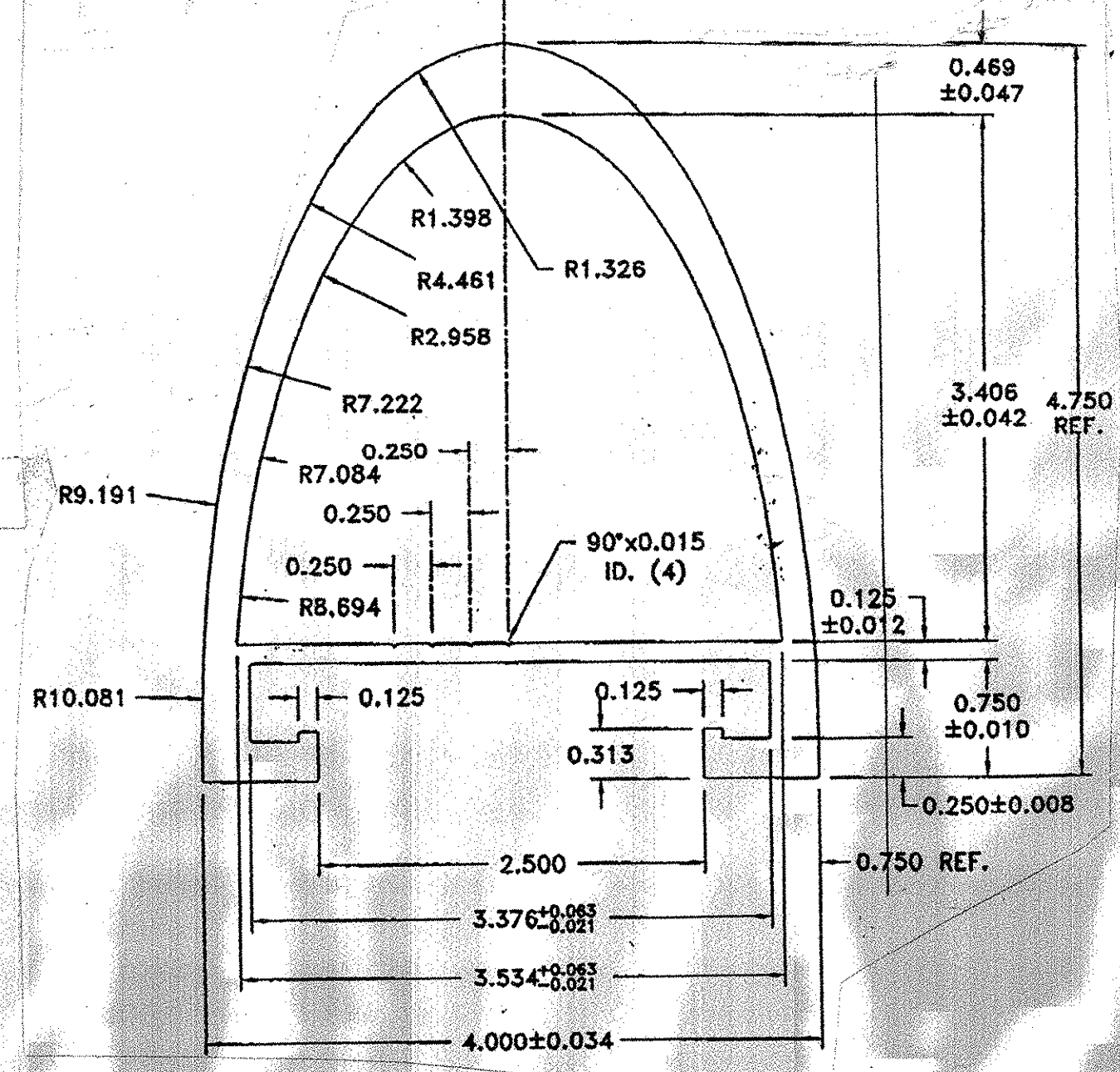
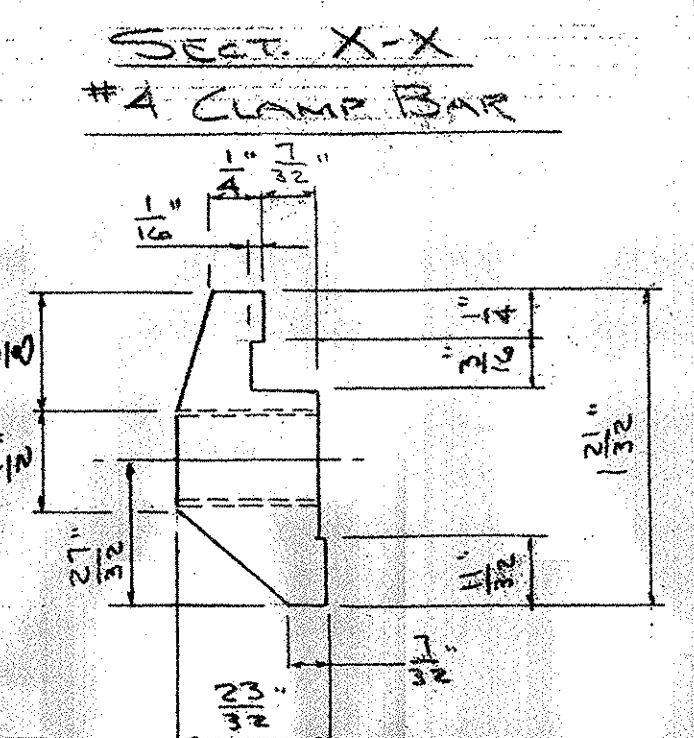
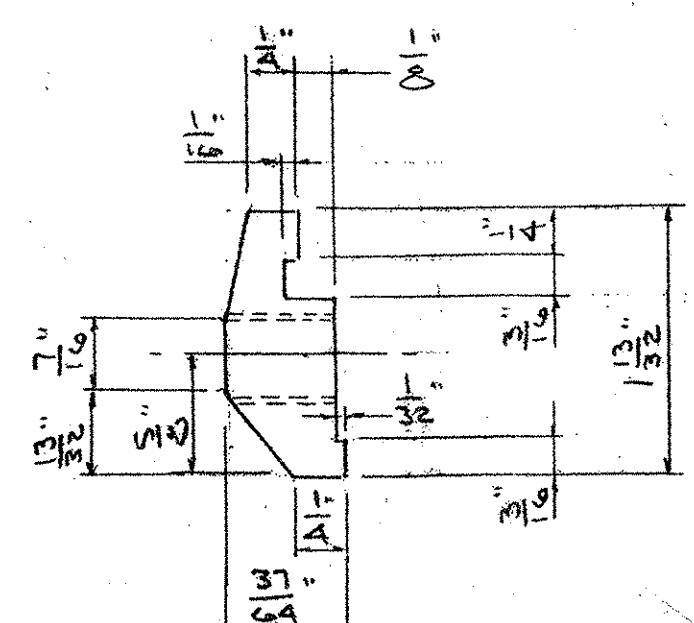
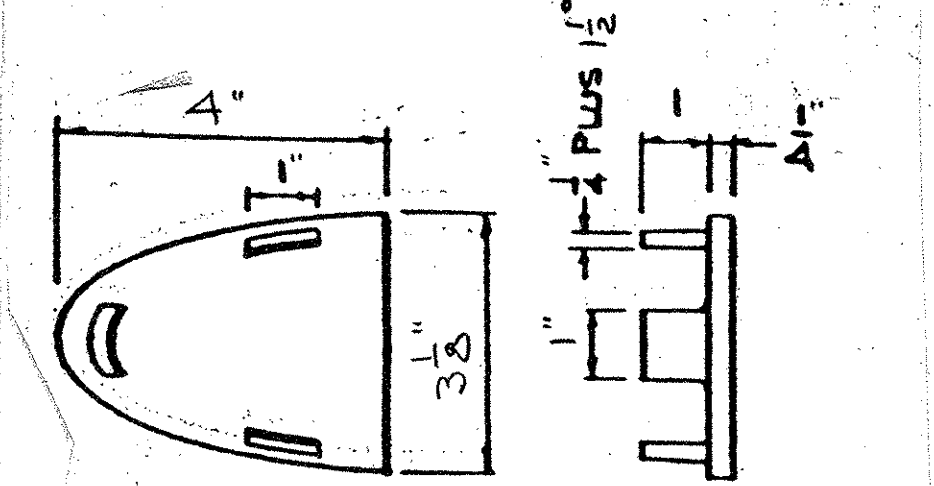
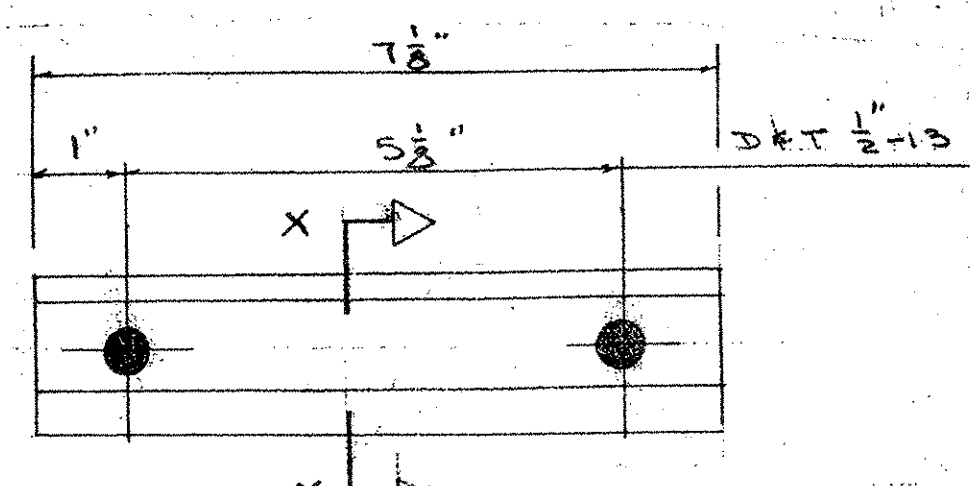
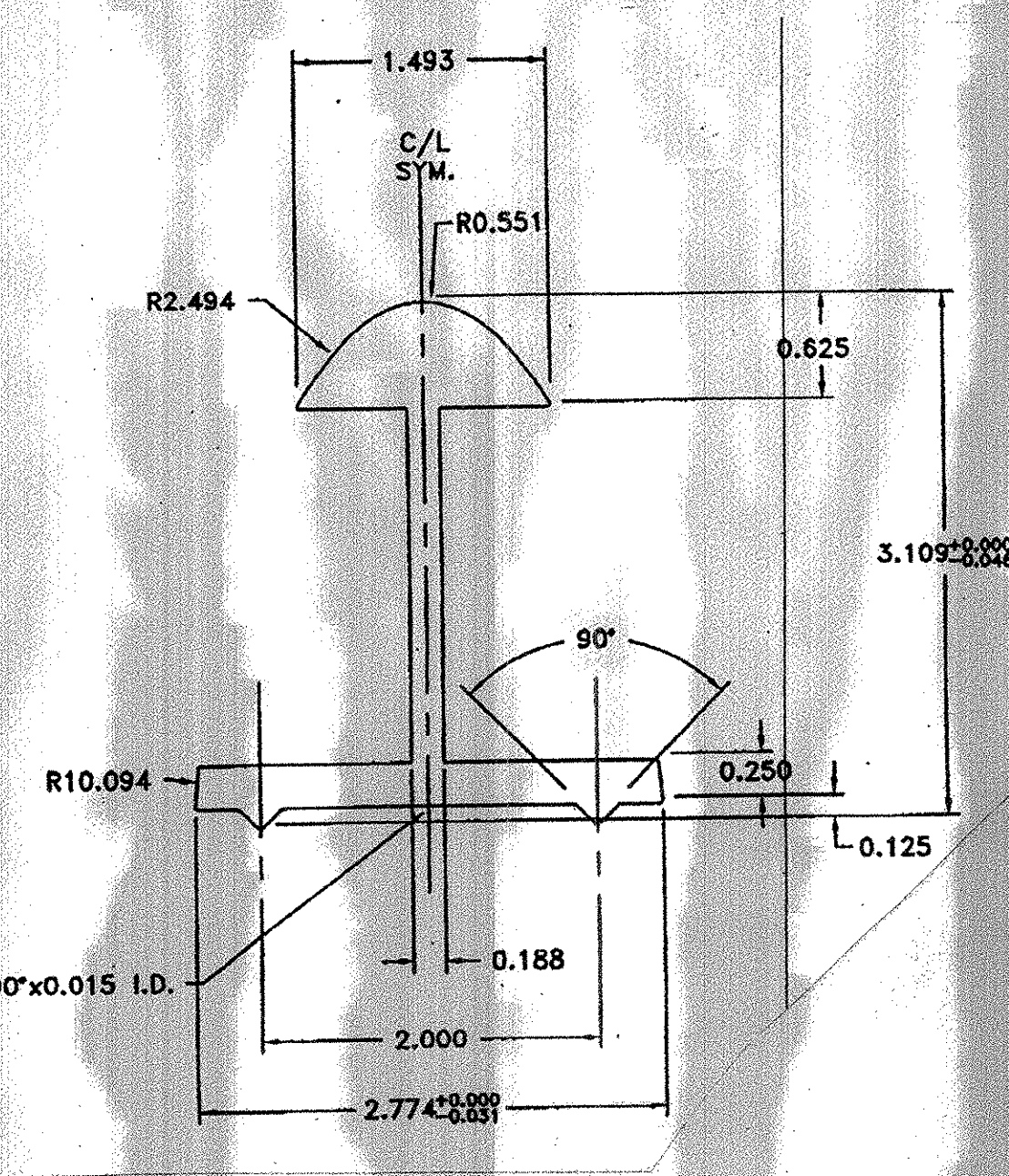


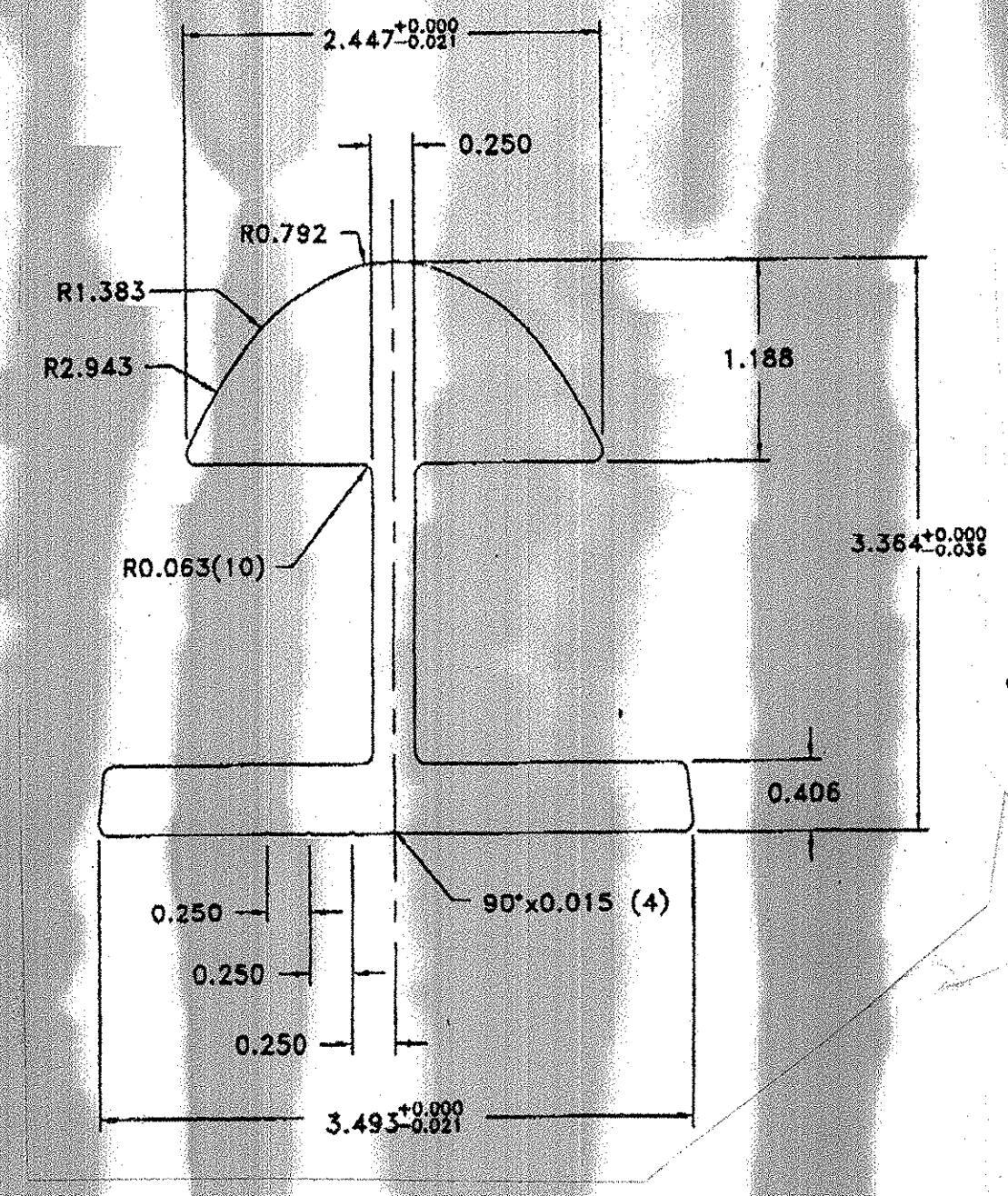
| QUAN | MK | DESCRIPTION | QUAN | MK | DESCRIPTION |
|------|-------|-------------------------------------|------|----|-------------|
| 1 | R1 | HANDRAIL X 11'-7 1/2" | 1 | A1 | POST |
| 2 | T1 | TRAFFIC RAIL X 24'-10 1/2" | 1 | A2 | |
| 1 | HR1 | HANDRAIL SPICE | 1 | A3 | |
| 1 | TR1 | TRAF. RAIL SPICE | 1 | A4 | |
| 1 | TR2 | | 1 | A5 | |
| 1 | TR3 | | 1 | A6 | |
| 1 | TR4 | | 1 | A7 | |
| 1 | - | GALV. PLATE | | | |
| 1 | MA-HR | HANDRAIL CAP | 1 | B1 | STANDOFF |
| 8 | #4 | CLAMP BAR | 1 | B2 | |
| 28 | #1 | CLAMP BAR | 1 | B3 | |
| - | 1 | 1/4 X 3/4 ST STL SET SCREW | 1 | B4 | |
| - | 64 | 1/2 X 3/4 ST STL HEX HD CAP SCREW | 1 | B5 | |
| - | 56 | 1/2 X 1 ST STL HEX HD CAP SCREW | 1 | B6 | |
| - | 16 | "C" BOLT | 1 | B7 | |
| - | 156 | 1/2" ALUM. WASHER | | | |
| - | 36 | 1/2 X 1 1/2 ST STL HEX HD CAP SCREW | | | |
| - | 36 | 1/2-13 ST STL HEX NUT | | | |



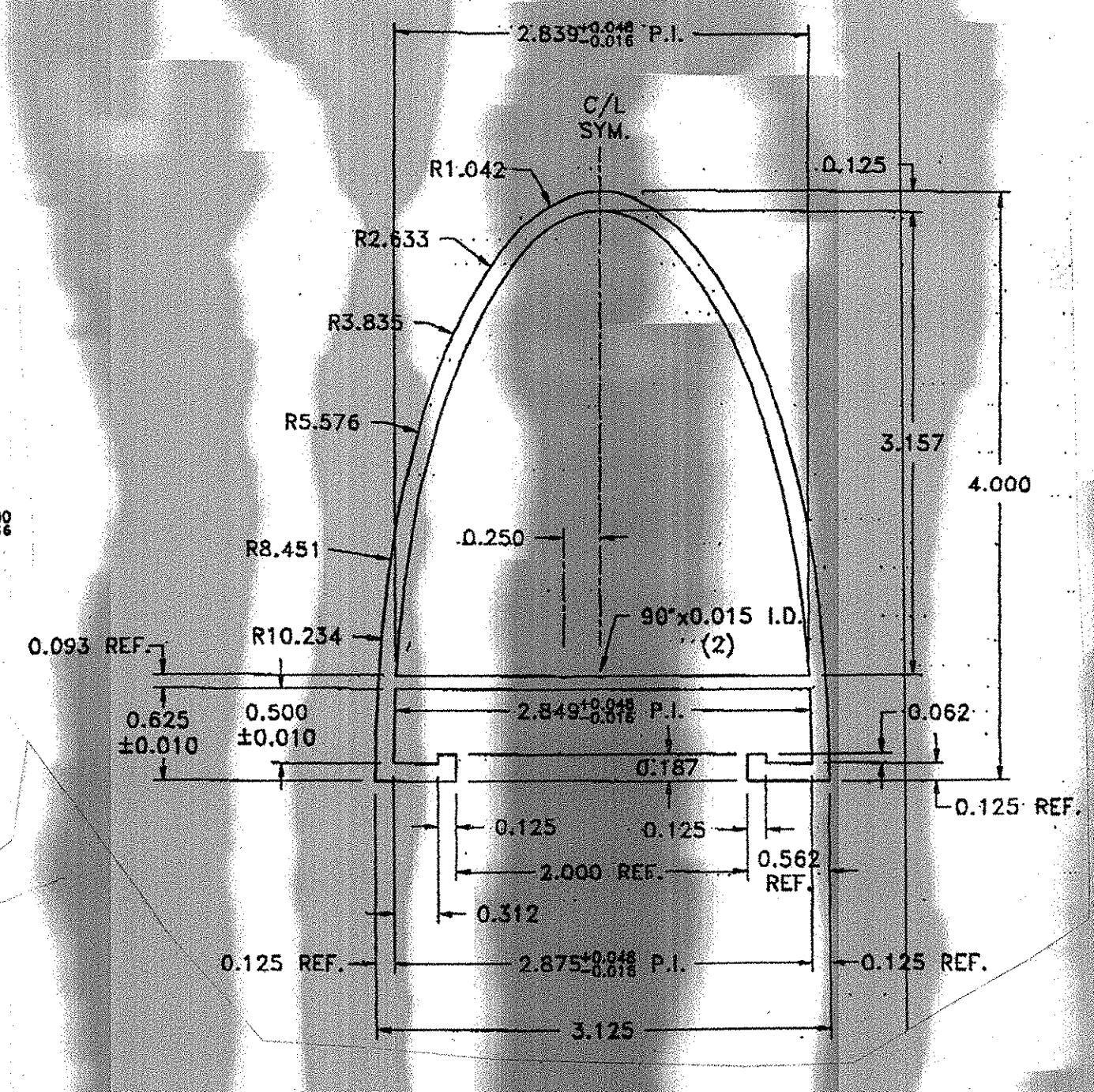
EXTRUSION
TRAFFIC RAIL
ALLOY 6061-T6



EXTRUSION
HANDRAIL SPICE
ALLOY 6061-T6



EXTRUSION
TRAFFIC RAIL SPICE
ALLOY 6061-T6



EXTRUSION
HANDRAIL
ALLOY 6061-T6

FINISH: MILL FINISH

AUCIELLO IRON WORKS INC
560 MAIN ST. HUDSON, MA. (508) 568-8382

VT. AGENCY OF TRANSPORTATION
BRATTLEBORO
PROJ # ACIM 09151 (54)

AL APPROACH RAIL AT SAFETY CURB
FOR: NORTHLAND SPECIALTIES, INC.

RECEIVED
CHK'D BY: Law OK'D BY: MP
OCT 27 2006
RESUBMIT: APPROVED:
BY: _____ DATE: 10/27/06

1 10/16/06 FOR APPROVAL
ISSUE DATE DESCRIPTION

DWG. NO. BR-2907
JOB NO. AB70013-1001
SHEET 2 OF 2