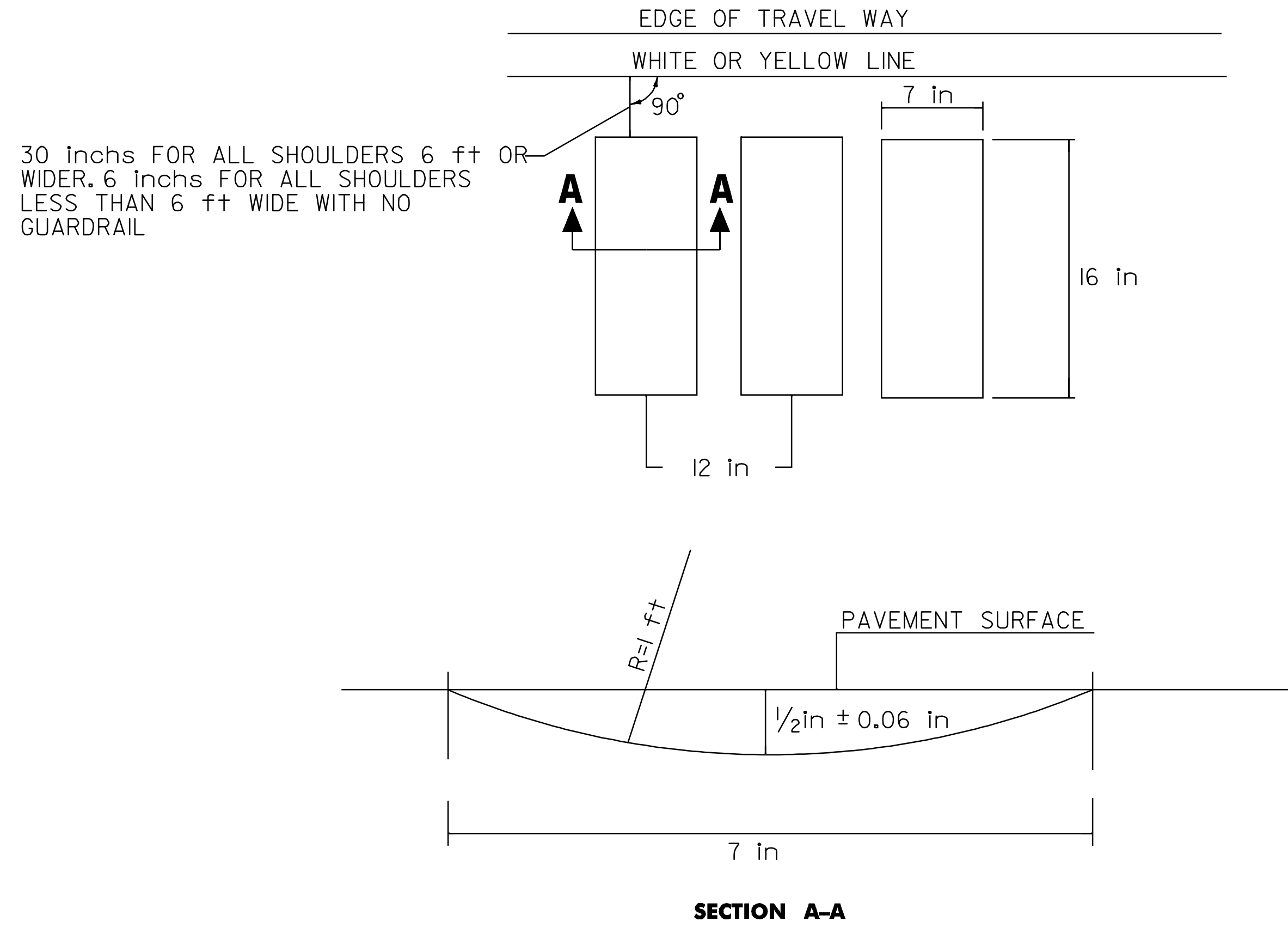
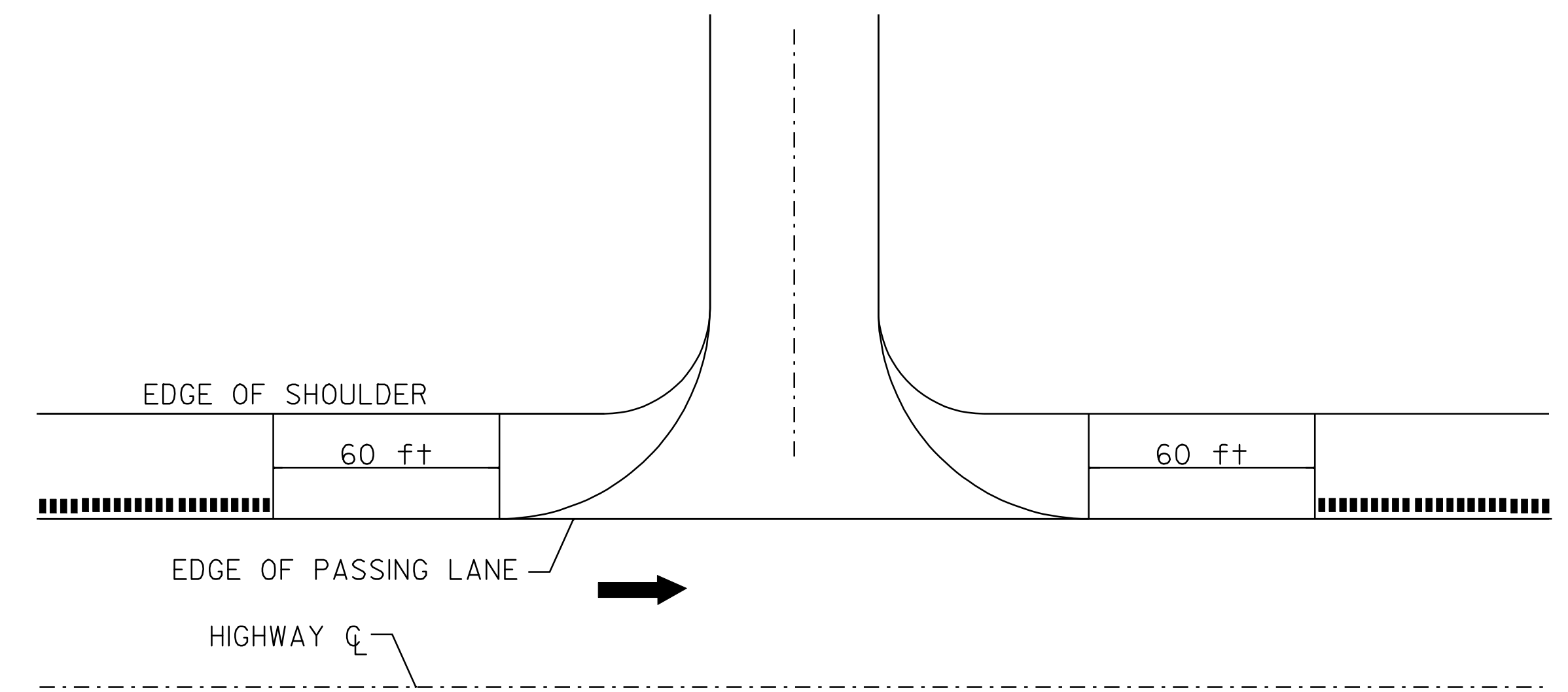


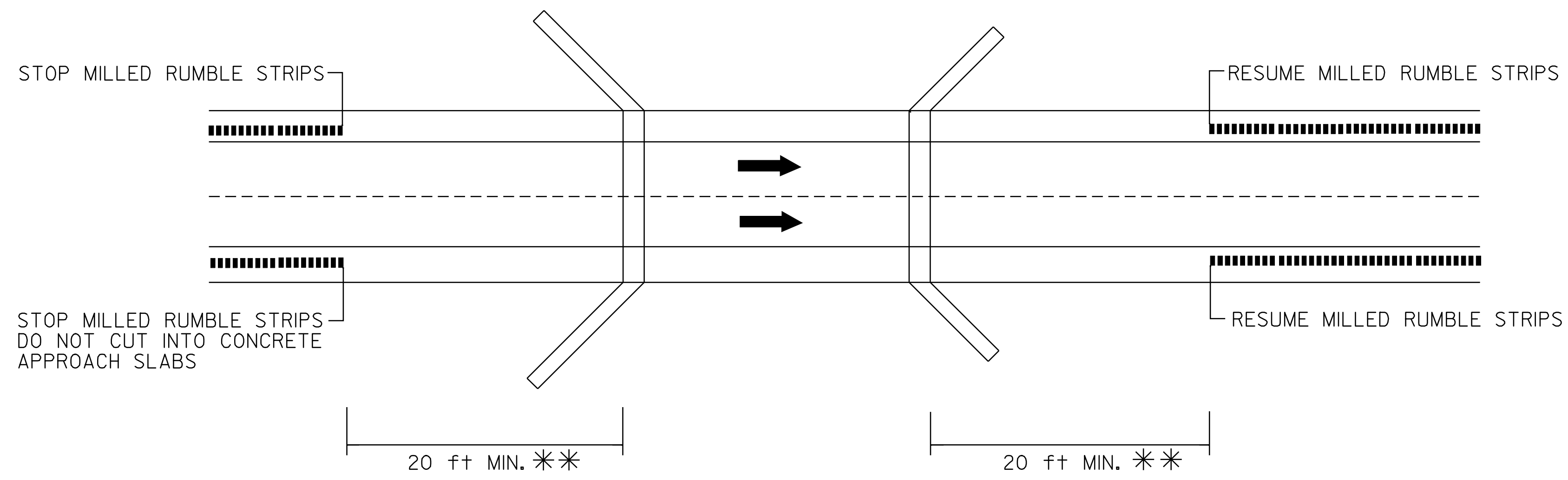
TYPICAL MILLING DETAIL



U-TURN DETAIL



BRIDGE DETAIL



** BRIDGE RAIL WILL DETERMINE MINIMUM DISTANCE IN SOME CASES.

LEGEND

- DIRECTION OF TRAFFIC FLOW
- MILLED RUMBLE STRIPS

DATUM
VERTICAL _____
HORIZONTAL _____

NOT TO SCALE

COMPOSITE MILLED RUMBLE STRIP DETAIL #1

PROJECT NAME: GUILFORD-BRATTLEBORO
PROJECT NUMBER: AC IM 091-1(51) / AC IM 091-1(54)

FILE NAME: 05A014crsl.1
PROJECT LEADER: CRB
DESIGNED BY: CLD
CLD REF. NO. 05-0387

PLOT DATE: 22-JAN-2009 13:3
DRAWN BY: MRS
CHECKED BY: NLL
SHEET 7 OF 69