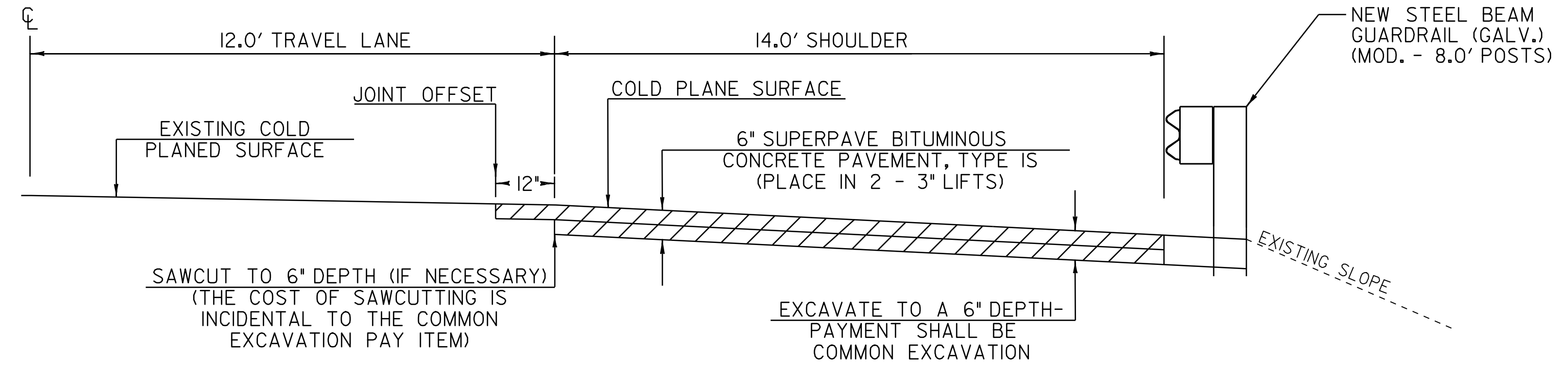


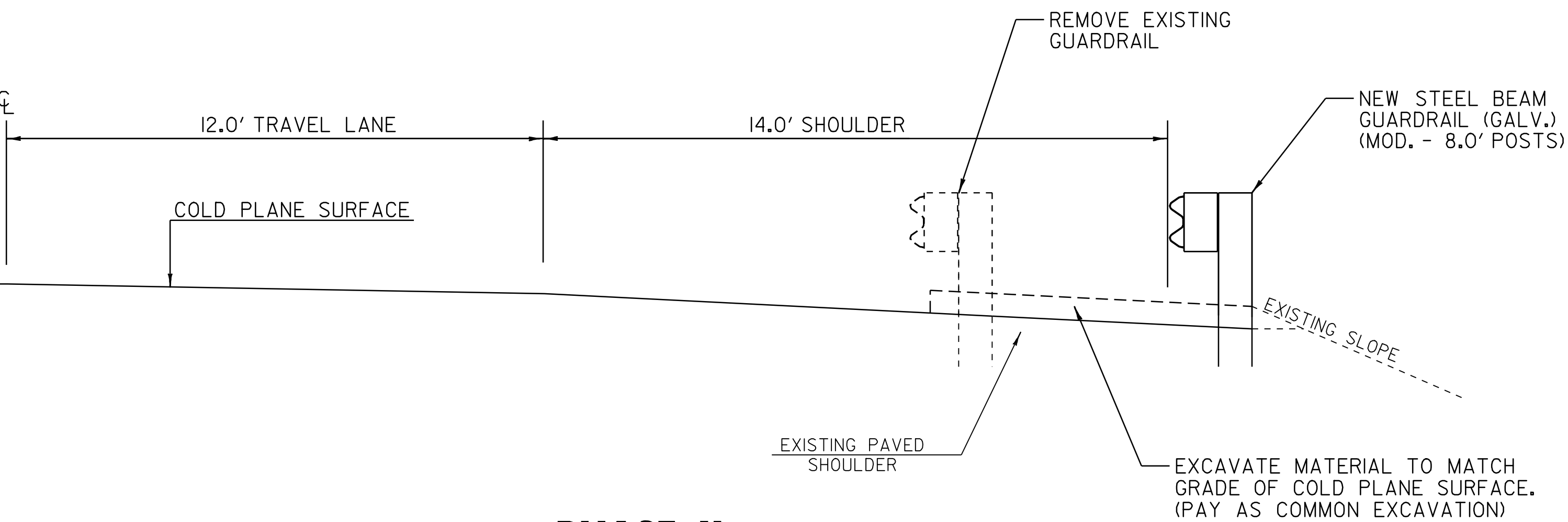
PHASE I



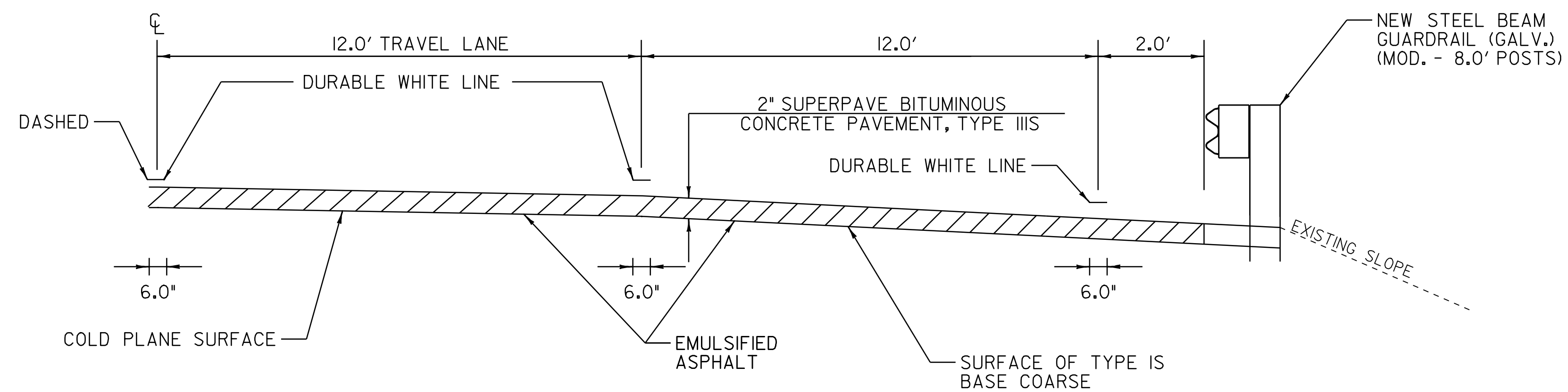
PHASE III

NOTE:

- I. THE CONTRACTOR SHALL NOT LEAVE THE UNPROTECTED 6" DROP OFF EXPOSED TO VEHICULAR TRAFFIC. THE CONTRACTOR SHALL EXCAVATE TO A 6" DEPTH AND OVERLAY WITH 6" OF SUPERPAVE BITUMINOUS CONCRETE PAVEMENT, TYPE IS IN THE SAME WORKDAY, UNLESS OTHERWISE DIRECTED BY THE RESIDENT ENGINEER.



PHASE II



PHASE IV

DATUM	_____
VERTICAL	_____
HORIZONTAL	_____

NOT TO SCALE

COMPOSITE ACCEL /DECEL LANE WIDENING DETAILS	PROJECT NAME: GUILFORD-BRATTLEBORO	PLOT DATE: 22-JAN-2009 13:3
	PROJECT NUMBER: AC IM 091-1(51) / AC IM 091-1(54)	DRAWN BY: MRS
	FILE NAME: 05A014clwd.1	CHECKED BY: NLL
	PROJECT LEADER: CRB	SHEET 6 OF 69
	DESIGNED BY: CLD	
	CLD REF. NO. 05-0387	