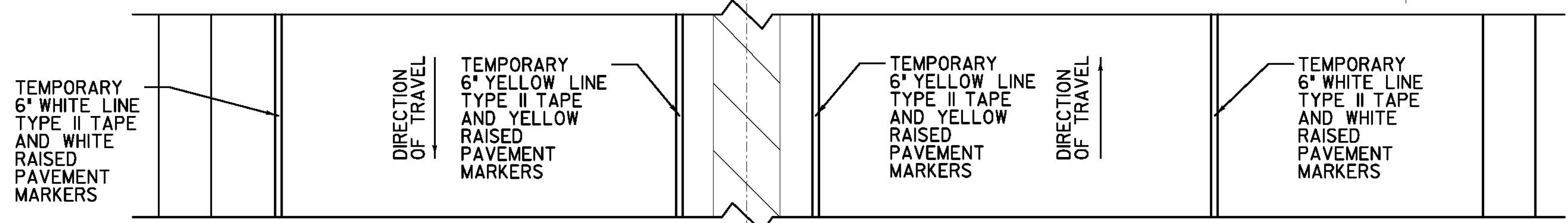
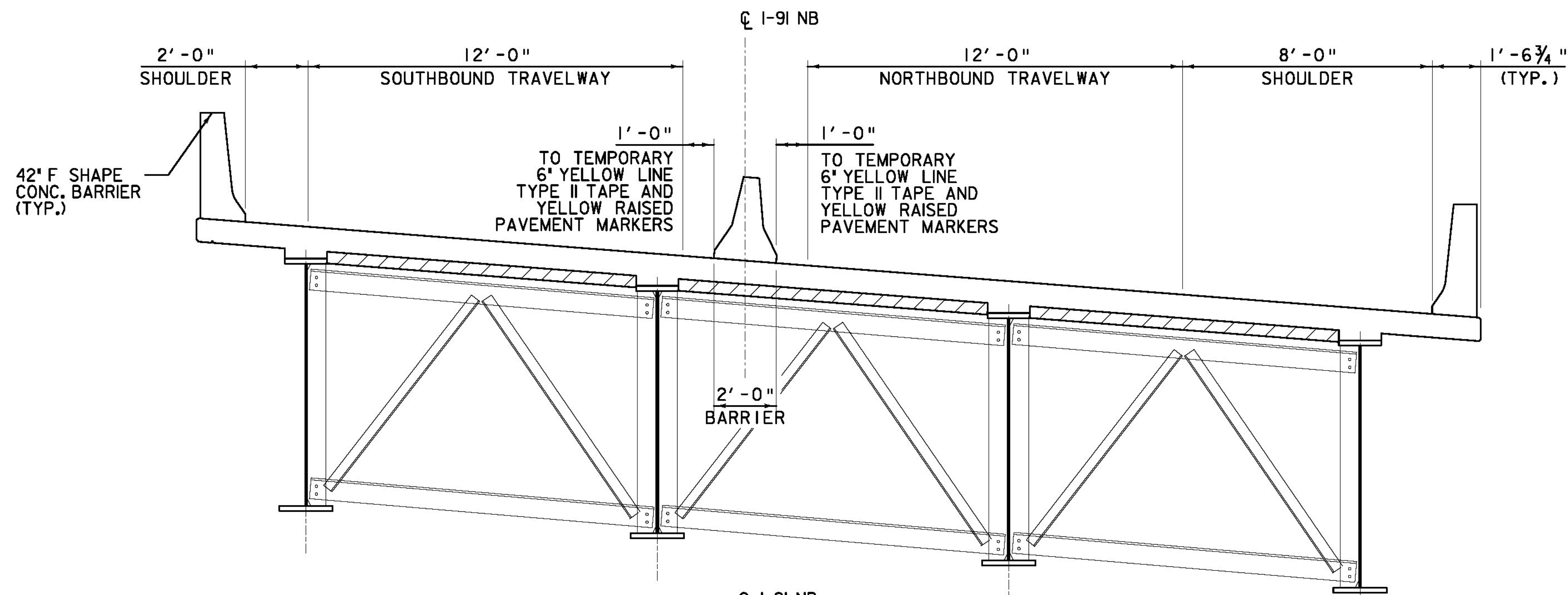


I-91 BRIDGE 5 SB (SOUTHBOUND CLOSURE)
SCALE: N.T.S.



I-91 BRIDGE 6 SB (SOUTHBOUND CLOSURE)
SCALE: N.T.S.

**AS BUILT
RECORD PLANS**

RFC PLANS - WORK PACKAGE #10
SOUTHBOUND APPROACH
MARCH 1, 2012

BECK & BELLUCCI, INC.

TYLIN INTERNATIONAL

PROJECT NAME: BRATTLEBORO

PROJECT NUMBER: IM 091-(150)

FILE NAME: HW-100-SC0-502.dgn
PROJECT LEADER: Phillip E. Kendall P.E.
DESIGNED BY: Phillip E. Kendall P.E.
SOUTHBOUND CLOSURE TCP 2 OF 7

PLOT DATE: 3/1/2012
DRAWN BY: J. R. Howe P.E.
CHECKED BY: D. Bryant P.E.
SHEET HW-100-SC0-502